

## Clean Air Optima Intelligent Air Purifier CA-509Pro Smart

(GB) User manual  
(DE) Gebrauchsanweisung  
(NL) Gebruiksaanwijzing  
(FR) Mode d'emploi  
(ES) Manual del usuario  
(IT) Manuale d'uso  
(PL) Instrukcja obsługi  
(CZ) Uživatelská příručka  
(SK) Používateľská príručka  
(RO) Manual de utilizare  
(LT) Naudotojo vadovas  
(EE) Kasutusjuhend  
(LV) Lietošanas pamācība  
(RU) Руководство  
пользователя  
(MK) Прирачник  
за користење

Find more languages on:  
[www.cleanairoptima.com/  
info/manuals](http://www.cleanairoptima.com/info/manuals)



Read these instructions carefully before you start using the Air Purifier and keep the manual for future reference.

<b>Table of contents</b>	<b>Page</b>
<b>English</b>	<b>3</b>
<b>German</b>	<b>21</b>
<b>Dutch</b>	<b>39</b>
<b>French</b>	<b>57</b>
<b>Spanish</b>	<b>75</b>
<b>Italian</b>	<b>93</b>
<b>Polish</b>	<b>111</b>
<b>Czech</b>	<b>129</b>
<b>Slovák</b>	<b>147</b>
<b>Romanian</b>	<b>165</b>
<b>Lithuanian</b>	<b>183</b>
<b>Estonian</b>	<b>201</b>
<b>Latvian</b>	<b>219</b>
<b>Russian</b>	<b>237</b>
<b>Macedonian</b>	<b>255</b>

## English

### **Thank you for purchasing the Clean Air Optima Intelligent Air Purifier CA-509Pro Smart.**

We wish you many years of healthy indoor air with this efficient and effective product.

Ensure that all safety precautions are followed when using this electrical device for the proper operation of the device. These instructions describe the safety precautions to be observed during operation. They are meant to prevent injuries and to avoid damaging the device.

### **Before using your new Clean Air Optima Intelligent Air Purifier CA-509Pro Smart.**

Remove the sealing from the filters first, see page 19. How to use.

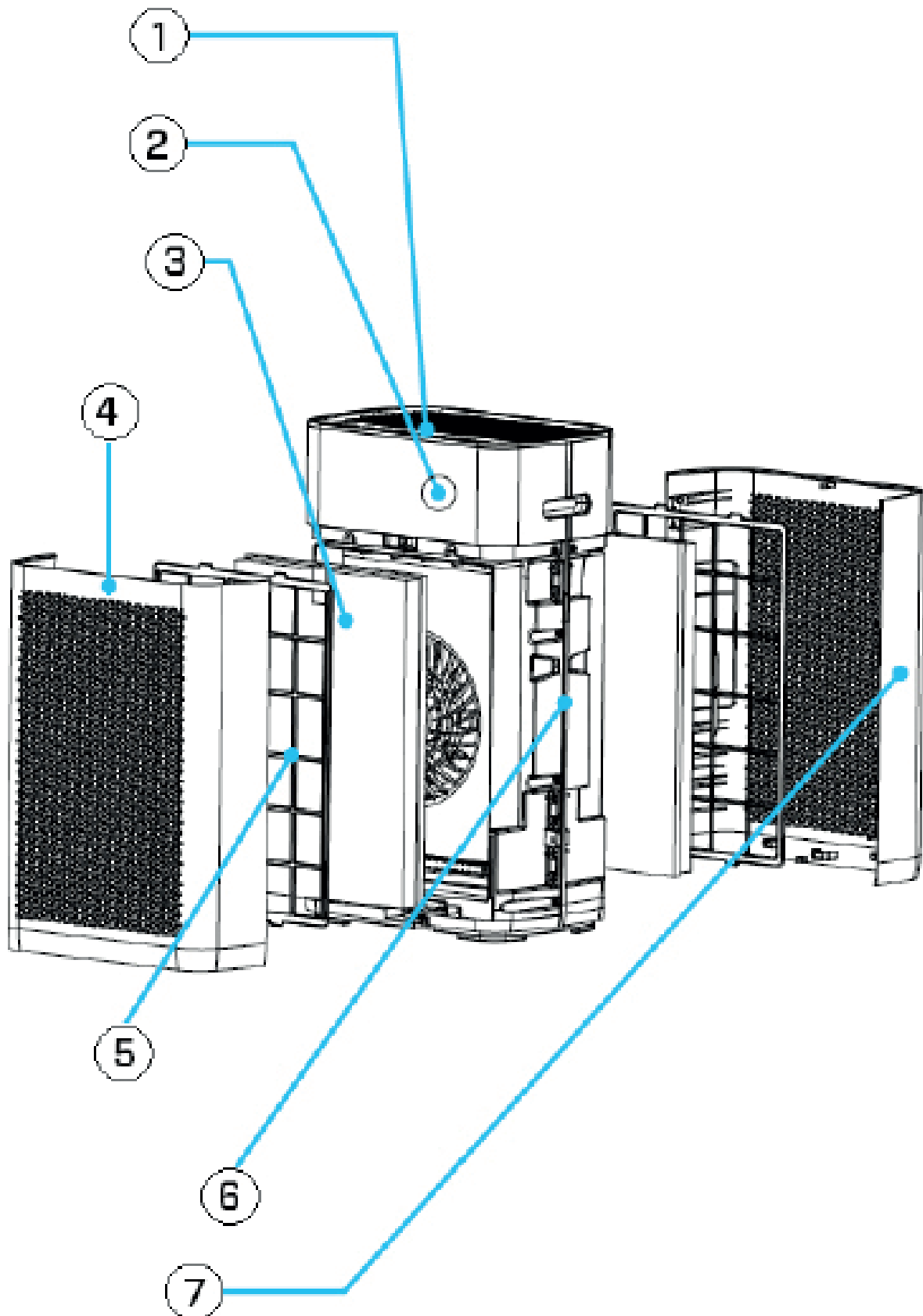


### **Description of the device**

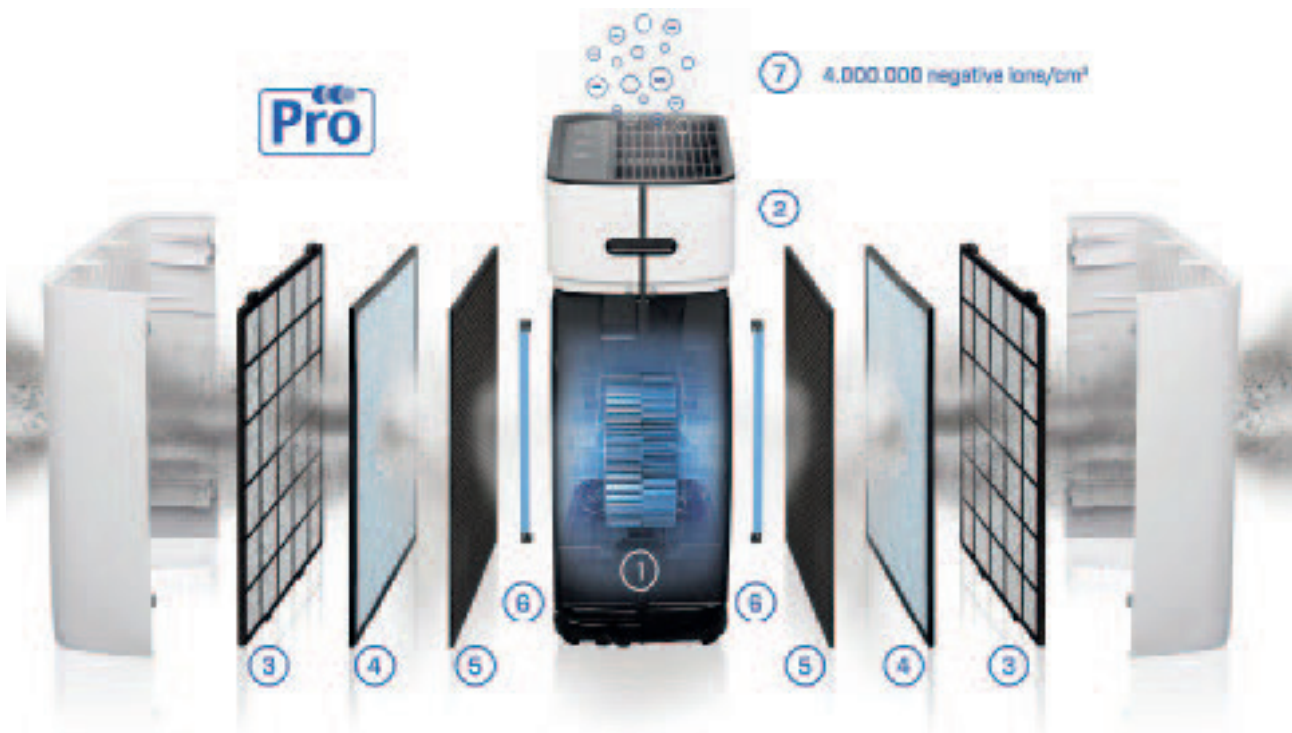
The device consists of the following main components:

1. Control panel
2. Digital monitor indoor air quality
  - PM2.5 Particle measurement
  - Relative air humidity in %
  - Temperature in °C
3. Composite filter: TRUE HEPA and Activated carbon filter
4. Front panel
5. Pre-filter
6. Main part of the air purifier
7. Rear panel

## CA-509Pro Smart/ Main unit



**Dual Airflowsystem - Dual Filtersystem - Dual Ionizer  
for double air purification!**



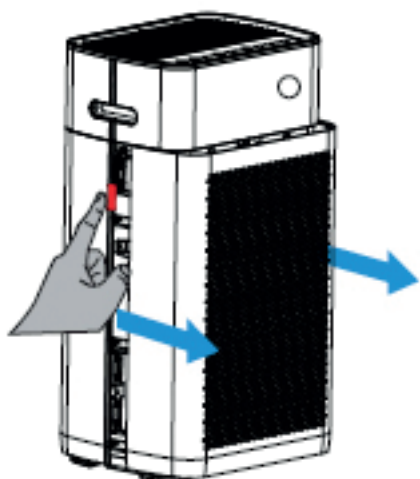
1. Dual Fan
2. Intelligent Particle Sensor™
3. Pre-filter
4. Nano-Zilver True HEPA Filter
5. Activated Carbon Filter
6. UV LED lamp
7. Dual Ionizer

## Safety warnings

This device may only be used in accordance with this safety instructions. Take the following steps to minimize the risk of personal injury caused by for example electric shocks or fire.

1. Only for indoor use. Do not use or store outdoors.
2. The device is not intended to be used by children or persons with reduced physical, sensory or mental capabilities, unless they are supervised by a person responsible for their safety.
3. Do not use the device when there is visible damage on the electrical cord or on the device itself. Do not repair the device yourself in case of damage. Never pull the device by its cord. If the power cord is damaged, then it must be replaced by an authorized service person to prevent electric shock or fire.
4. Repairs may only performed by authorized service personal. Do not try to repair the device yourself to prevent electric shock or fire.
5. Always remove the plug from the cord when the device is not being used.
6. Only use power cords provided.
7. Pull the plug when you do not use the device or when you clean internal or external parts of it.
8. For safety use put the device in a steady, horizontal position. Do not move while using.
9. Do not use the device in rooms where inflammable liquids or gases are stored, close to heat sources or in particularly humid rooms like the bathroom.
10. Never insert any other object into the body to avoid breakdown.
11. Never cover the air inlet and air outlet grid.
12. Never disassemble or replace the device's inner parts.
13. When the device is running, do not touch the air inlet and outlet grilles, and do not insert the handle or any object into the air outlet to avoid injury or damage to the air purifier.
14. To keep the inlet and outlet air grille of the air purifier unimpeded, do not place objects above or near the front cover of the air purifier.
15. Do not put heavy objects on the unit.
16. Please avoid places with direct sunlight. There is a risk that the device discolors.
17. Never immerse the unit in water or other liquids.
18. Do not touch the power cord with wet hands.
19. Clean the Pre-filter regularly, if the Pre-filter is saturated with dust, it will lead to poor purifying effect. The power consumption will increase, it can cause failure.
20. The normal operating environment of the device is 0 °C to 40 °C degrees.
21. Use, maintain and clean the device as described in this manual.

## How to use (Filter installation for the front and the back)



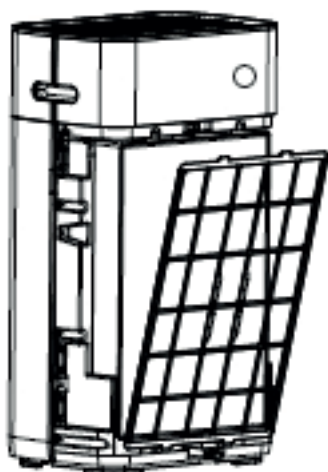
### 1. Disassemble the panel

Press on the red indicated icon on the left and right side on the air purifier with both fingers, see figure. Pull the panel towards you like indicated by the blue arrows.



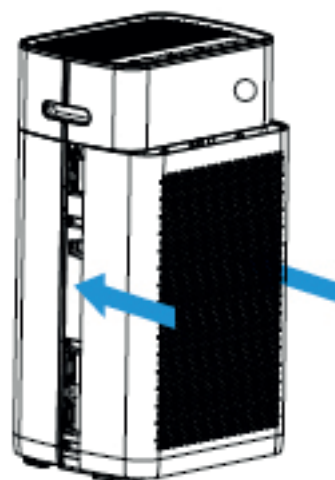
### 2. Install the composite filter

Remove the sealing from the filters. Place the filters back into the device. The tap on the bottom and the top must be visible at the front (The HEPA side from the filter is visible).



### 3. Install the Pre-filter

Install the Pre-filter with the black bulge outward. Put its lower part into the bottom slot and push the top (with the arrows on it) gently into the upper slot.

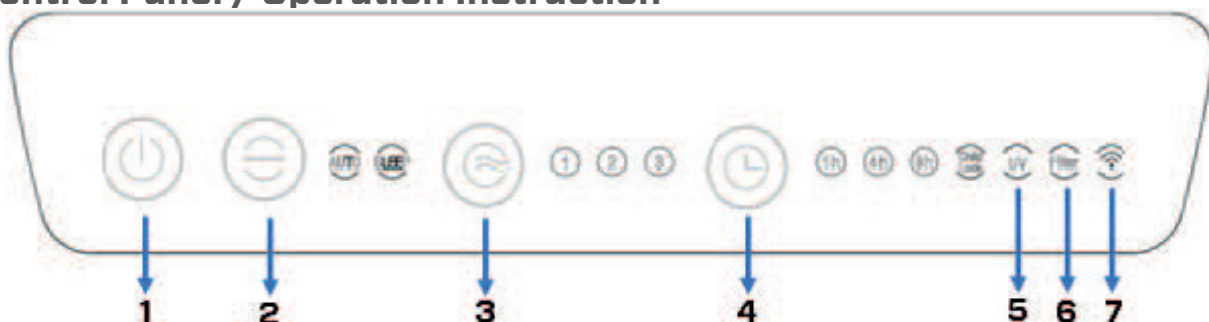


### 4. Install the panel

Push the front panel parallel along the upper and lower edges in the direction shown in blue, see figure. When you are hearing a click, then the panel is installed.

The device needs to be positioned at least 30 cm from walls and furniture to obtain a good air flow. Make sure that the air in-and outlets are not blocked.

## Control Panel / Operation Instruction



### 1 Power Button

Pressing the Power button you turn the device on and off.  
(Default is Auto mode after turning on the device).

### 2 Mode

Pressing the Mode button for Auto and Sleep function.

In the setting **Auto** the integrated smart sensor (Intelligent Particle Sensor™) measures and regulates air quality automatically. The fan, controlled by a sensor anticipates automatically to what extent indoor air is polluted by particles size PM2.5 and adapting to the 3 different speeds accordingly.

In the setting **Sleep** the indicator light is bright. The indicator light including the digital display will go off after 5 seconds. Press any key to restart the indicator light and the digital display. The indicator light and digital monitor will go out again after 5 seconds. (The fan is running in the lowest speed level).

### 3 Speed

By pressing the Speed button, you can change the speed level. The 3 fan speeds offer individual air flow. (1-2-3 means the wind speed increases).

### 4 Timer

Press on the Timer button to set the timer to “switch of automatically” in a range between 1, 4 and 8 hours. The number of hours selected can be read on the display of the timer.

### 5 UV LED lamp

The UV LED lamps should be replaced after 8,000 hours of operation, or if the indicator light (UV) on the display goes out.

### 6 Filter

If the indicator light flashes, the composite filter (HEPA and Activated Carbon Filter) must be replaced. The composite filter has a lifespan of 2.000 hours.

### 7 WiFi

WiFi indicator.

### 2 + 3 Child Lock

Child lock protects from unwanted use of the device.

The child lock is switched on / off by pressing simultaneously both Mode and Speed buttons. The indicator light child lock will be bright.

### 3 + 4 Filter Reset

Reset the timer for the composite filter by pressing and holding the button Speed and Timer (for about 3 seconds). If the indicator light goes out, the timer has been successfully reset.

## Digital Monitor

The digital monitor on the front side of the air purifier CA-509Pro Smart indicates automatically and exactly current air quality by measuring the level of Particle measurement PM2.5, indoor humidity and temperature.



**Green** - Good: 0-80ug/m<sup>3</sup>    **Blue** - Average: 80-150ug/m<sup>3</sup>    **Red** - Bad: 150 ug/m<sup>3</sup> or more

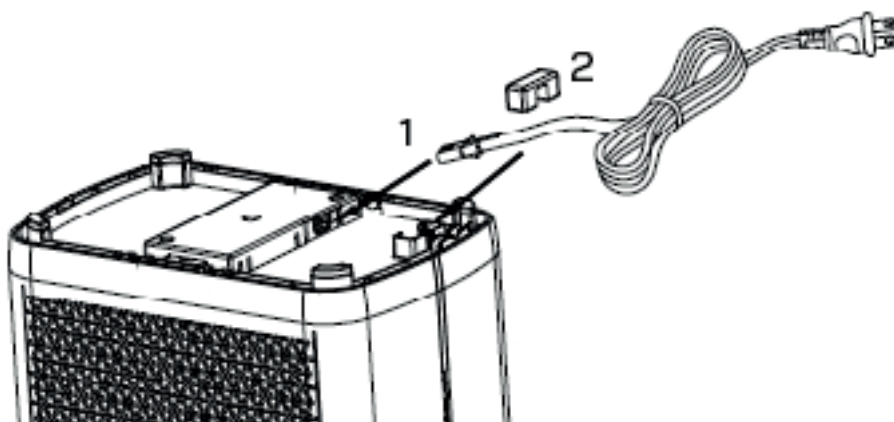
Particulate matter of 10um (PM10) and smaller 2,5 um (PM2.5) can get into the lungs and belongs to the top 10 threats for human health. These small particles develop through typical indoor processes such as cooking, baking, frying, smoking, as well as heating or are also transported in big quantities into indoor air because of transportation, industry, construction, biological material (pollen, bacteria, mites, and viruses), imported particles from other regions such as (airplane) exhaust gases and volcano eruptions.

Allergens such as pollen and dust cause serious and long-term health threats to millions of persons each spring: the numbers are increasing constantly.

Measurement of relative humidity and temperature

Important aspects for effective air purification: relative humidity between 45 - 60% and room temperature of about 20 - 23 °C

## Power Cord



1. Remove the power cord glue from the bottom of the device and insert the end of the power cord into the socket at the bottom of the device (as shown in figure 1).
2. Put the power line into the wire slot and fix it with the wire pressing adhesive (as shown in figure 2).

## Operation with Clean Air Optima<sup>®</sup> App

### Connectivity

#### Compatibility with smartphone and tablet:



iPhone, iPad and Android devices

#### Device connects via WiFi with App:

CleanAirOptima

**Attention:** The router must be set to the 2.4 GHz broadband. If the router is set to the 5.0 GHz, it is impossible to establish a connection.

### Set up WiFi connection

1. Download and install the Clean Air Optima<sup>®</sup> App in the App Store or Google Play Store.
2. Make an account and log in.
3. Plug the device into the power socket and switch it on. The WiFi indicator will blink.
4. The router must be set to the 2.4 GHz broadband. If the router is set to the 5.0 GHz, no connection can be established.
5. Make sure Bluetooth is enabled on your smartphone.
6. Make sure that your smartphone or tablet is successfully connected to your WiFi network.
7. Open the Clean Air Optima<sup>®</sup> App and click on 'Add device' . Your device is listed and you can select it. If not choose 'Auto Scan'. Follow the on-screen instructions to connect the device to your network.
8. Choose to add the Clean Air Optima<sup>®</sup> device on the App, follow the instructions in the App.
9. When the device is paired, the WiFi indicator  light stays on constantly.
10. After the configuration is successful, you can use the Clean Air Optima<sup>®</sup> App to operate the device.

#### Note:

- If your default network has changed, reset the WiFi connection, follow step 3 to 8 in the 'Set up WiFi connection' section.
- If you want to pair multiple devices to your smartphone or tablet, you have to do this one after the other.
- Make sure that the distance between your smartphone or tablet and the device is less than 5 meters and there are no obstacles. Also make sure you are in the same room as the device.

#### Reset the WiFi function:

- Reset the WiFi by pressing the 'Mode' and 'Timer' button for 3 seconds, the indicator light of the WiFi will blink rapidly.



## Connect devices to multiple phones

Note: First the other person needs to install the Clean Air Optima® App on his/her phone and create a new account.

### Share the device with limited access:

You can choose to share 1 device with several persons.

This person will then have access, but will not be able to manage all the settings.

Follow the instructions below to share the device with several persons:

1. Go to the relevant device.
2. Go to the pencil or three dots in the top right.
3. Select 'Share device.'
4. Choose 'Add sharing'.
5. Choose the sharing method e.g. via email, whatsapp, sms etc. and continue.
- 6 The device will automatically appear in the Clean Air Optima® App with the other account.

### Share device with full access:

You can add a person or several persons to your home management.

That person will then have access to all your devices that are already linked and has full rights and permissions. You will always remain the main administrator.

Follow the instructions below to add someone to your home management:

1. Open the Clean Air Optima® App and go to 'Me'.
2. Then choose 'Home Management'.
3. Choose 'Create a home'.
4. Select the relevant 'Home' and 'Add member'.
5. Choose the sharing method e.g. via email, whatsapp, sms etc. and continue.
- 6 The corresponding 'Home' will automatically appear in the Clean Air Optima® App of the person with whom you have shared your 'Home'.
5. On the other account:  
Go to the home screen from the Clean Air Optima® App. Go to the top left and select the 'Home'.

## Remote Control

### ON/ OFF

Pressing the Power button you turn the device on and off. (Default is Auto mode after turning on the device).

### SPEED

By pressing the 'Speed' button, you can change the speed level. The 3 fan speeds offer individual air flow.

### TIMER

Press on the 'Timer' button to set the timer to "switch of automatically" in a range between 1, 4 and 8 hours.

### CHILDLCK

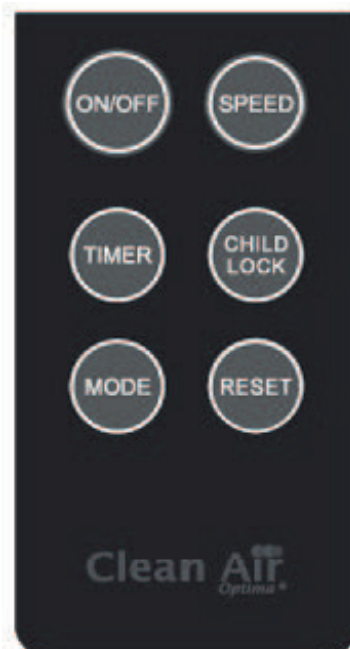
The Child lock is switched on / off by pressing the 'Child lock button' for about 3 seconds.

### MODE

Pressing the Mode button for switching between Mode and Sleep function.

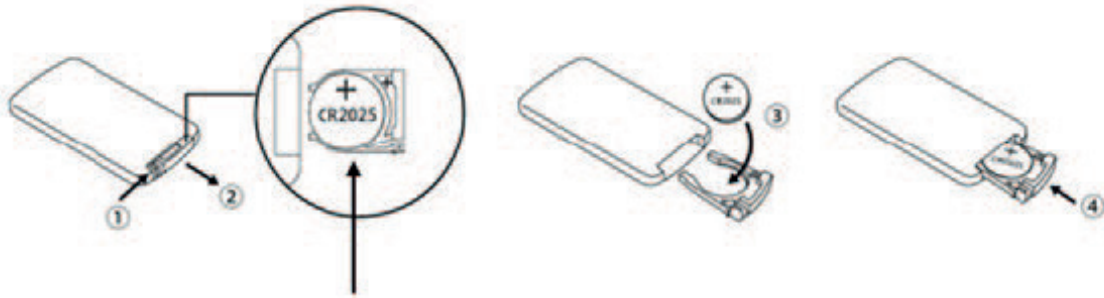
### RESET

Reset the timer for the composite filter by pressing and holding the Reset button for about 3 seconds.



## Battery Replacement

1. Open the battery holder on the back of the remote by pressing the locking tab (step 1) to the right with your thumb, then pull the battery holder out (step 2).
2. Remove the old battery and insert the new battery (type CR2025.3V) with the correct polarity (step 3).
3. Insert a new battery (type CR2025.3V).
4. Push the battery holder back into the remote (step 4).



Battery (type CR2025)

## Precautions

1. If you do not use the remote control for a long time, please take out the battery to prevent it from leaking and damaging the remote control.
2. Operate the remote control within the scope of the air purifier
3. If the remote control does not work properly, please remove the battery and place it back after 30 seconds. If it still doesn't work properly, replace the battery.

## Maintenance

### Cleaning the outside of the air purifier

1. Switch off the device and pull the plug.
2. Use a soft and humid piece of cloth to clean the device from dust and dirt.
3. Make sure that **no water** gets into the device.

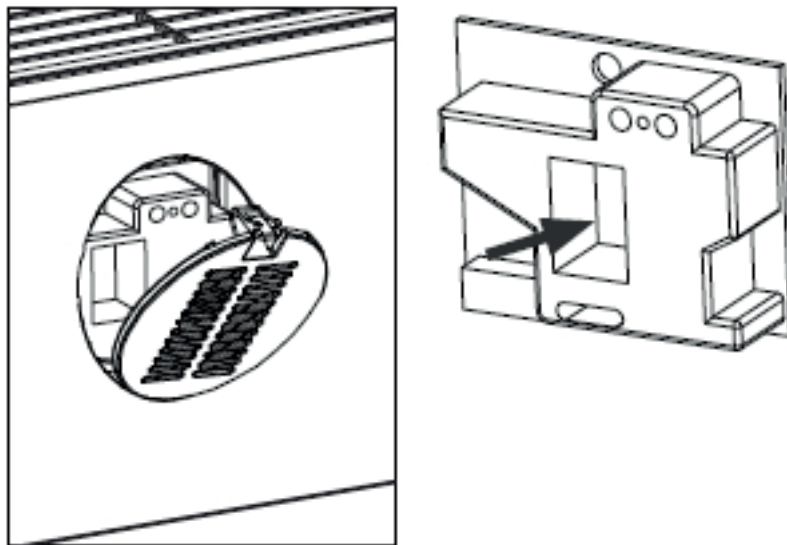
### Cleaning of the Intelligent Particle Sensor™

#### Clean the air quality sensor every 6 to 8 weeks.

When the value of PM 2.5 is displayed incorrectly, a cotton swab and water can be used to clean the sensor lens.

1. Remove the cover of sensor.
2. Clean the sensor lens with a cotton swab and water as indicated by the arrow. Then dry the lens with a clean cotton swab.
3. Install the cover of sensor.
4. Do not wipe the sensor lens with alcohol or other organic solvent.

**Attention!** If the humidity in the room is very high, there is a risk of condensation on the air quality sensor. This may cause the air quality indicator (Digital Display - Particle Measurement) to indicate that the air quality is poor, while this should not be the case. In this case, we recommend that you clean the air quality sensor or do not use the air purifier in automatic mode.



## Replacing of filters

The **Clean Air Optima Intelligent Air Purifier CA-509Pro Smart** is equipped with a filter lifespan surveillance mechanism that signals that the filters have to be replaced after 2.000 working hours. To show that the composite filters (**HEPA + Activated Carbon Filter**) need to be replaced, the air purifier emits a flashing indicator light. Reset the timer for the composite filter by pressing and holding the button Speed and Timer (for about 3 seconds). If the indicator light goes out, the timer has been successfully reset.

**Depending on the use, the composite filters (HEPA + Activated Carbon Filter) has a lifespan of approx. 6-8 months.**

### Filter cleaning

The best effect is reached by cleaning the filters once a month. If indoor air is extremely polluted, more cleaning can be required.



Clean the **Pre-filter** and the **HEPA filter** with a brush or your vacuum cleaner. That way bigger dust particles like lint, hair and dander of pets can be removed from the filter.

**Warning!** Do never wet or rinse the composite filters (**HEPA + Activated Carbon Filter**) with water.

### Signs for used up filters

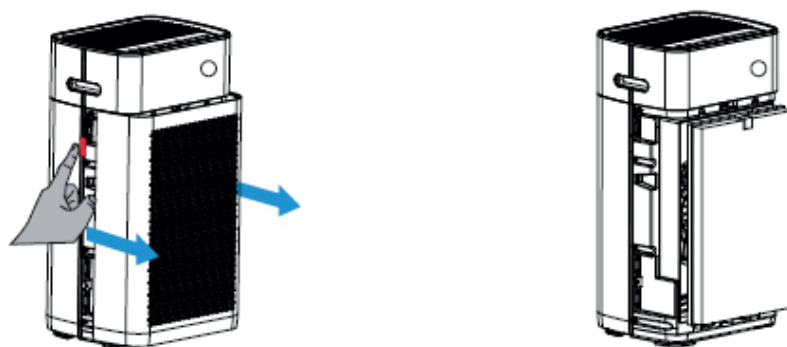
Increased sound, reduced air flow, congested filters, rising presence of smells. The filter needs to be replaced by a new one when the HEPA filter changes its color from white to grey or black. If the HEPA filter remains white, there is NO need to replace the filter.

### How to order filters:

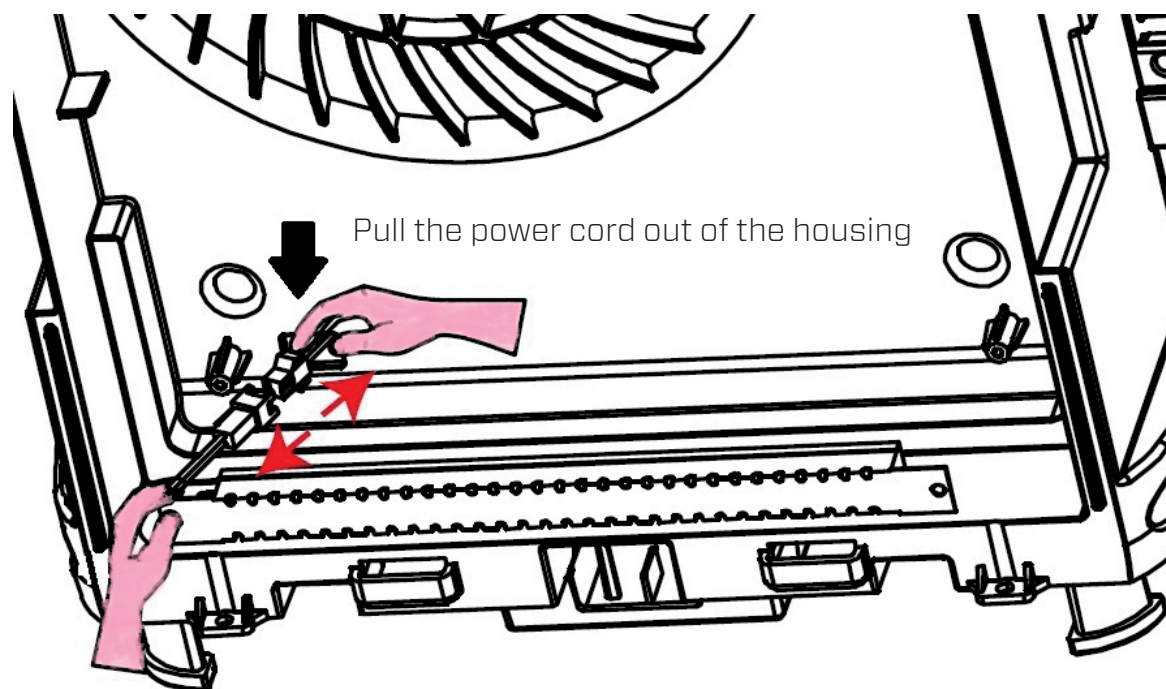
Contact Clean Air Optima Customer Service tel. + 31 (0) 742670145 or visit our webshop:  
<https://www.cleanairoptima.com>

## Replacing UV LED lamps (on the front and rear of the unit)

Both UV LED lamps of the Clean Air Optima CA-509Pro Smart air purifier have a service life of 8,000 operating hours = 1 year of 24/7 operation. The UV LED lamps should be replaced after 8,000 hours of operation, or if the indicator light (UV) on the display goes out.



1. Switch off the device and pull the plug out of the socket.
2. Press the release buttons with both fingers and remove the front and rear covers.
3. Remove the filters (front and rear).



4. Use a Philips-head screwdriver and remove the screws from the metal guard of both UV LED lamps (front and rear).
5. Pull the power cord out of the housing towards you until you see the plug connectors. Unlock the plug connectors, see figure.
6. You can now fit the new UV LED lamps. After the UV LED lamps have been fitted, the indicator light (UV) will light up again.

### How to order UV LED lamps:

Contact Clean Air Optima customer service on + 31 (0) 742670145 or visit our webshop:  
<https://www.cleanairoptima.com>

## Troubleshooting

The following is a troubleshooting guide to help you solve any issues that you may have using the **Clean Air Optima Intelligent Air Purifier CA-509Pro Smart**.

Problem	Possible Cause	Solution
Device does not switch on	The power cord does not connect correctly	Connect the power plug and power socket correctly
	The power cord is broken	Replace the power cord
	The front or back panel is not installed correctly	Install the panel correctly. See chapter: How to use
The air outlet smells foul	The filter traps too much odor or dust	Replace the composite filters
	The lifetime of the filters has expired	Replace the composite filters
Poor purification effect	Check if the humidity in the room is too dry	Increase the humidity
	The device is placed in an unventilated room or surrounded by obstacles	Remove the obstacles
No air is blowing out of the device	The airinlet or airoutlet is being blocked	Remove the obstacles
The remote control does not work	Check if the battery is installed	Install the battery
	Check if the battery is installed correctly	Install the battery correctly
	Check the capacity of the battery	Replace the battery
	Check the remote control distance exceeds the range	Range is within 5 meters from the front-side of the device
<b>Operation with Clean Air Optima® App</b> does not work	Smartphone or tablet is not connected to WiFi network	Reset the device by pressing and holding down the STAND and TIMER buttons together for three seconds. The WiFi indicator will blink. Then follow steps 4 to 8 from the chapter <b>“Operation with Clean Air Optima® App.”</b>
	The device has no connection to the network	

## WARNING!

If the above recommended solutions do not work, please contact Clean Air Optima technical support at the telephone number for your region. Do not attempt to disassemble, reassemble, or repair the device as this may void the warranty.

## Specifications

Model	CA-509Pro Smart
For rooms up to	90m <sup>2</sup> / 225m <sup>3</sup> / 970ft <sup>2</sup>
Rated voltage	220V - 240V, 50Hz/60Hz
Rated power	Max. 53W
Fan capacity (CADR)	400 m <sup>3</sup> /h (solid particles) - 100 m <sup>3</sup> /h (formaldehyde)
Filter performance	99,97%
Sterilization rate	99.9%
Negative ion	2.000.000 ions/cm <sup>2</sup>
Sound level	Silent fan < 20dB(A) Low 1 / 35dB(A) Middle 2 / 55dB(A) Turbo 3
Dimensions	560 x 320 x 210mm
Weight	7.5kg
Colour	Living white
Complies with EU regulations	CE / WEEE / RoHS

Ask your retailer or your municipality for updated information regarding the disposal of the packaging and of the device.



## Service

### Warranty Certificate for the Clean Air Optima Intelligent Air Purifier CA-509Pro Smart.

Date of purchase: .....  
Customers name: .....  
Address: .....  
Telephone: .....  
Email: .....  
Seller's name: .....  
Address: .....

1. Please fill in completely this Warranty Certificate. Send it with the invoice and the unit, postage pre-paid and using the original packing box, to your distributor. Make sure to include the appropriate return postage for the package.
2. Please enclose a short description of the damage, fault or malfunction, and the circumstances under which these problems arose.

The **Clean Air Optima Intelligent Air Purifier CA-509Pro Smart** is subjected to strict testing procedures before leaving the factory. If within 2 years from the date of purchase the product does not perform according to the specifications, because of factory defects, the purchaser is entitled to free repairs or replacement of parts upon presentation of this warranty (provided that the malfunction or damage to the device and/or parts occurred under normal operating conditions). What is covered: All parts defective in material and workmanship. For how long: two years from purchase date. What we will do: Repair or replace any defective parts. Exclusions: Regular replacement filters.

#### Other Conditions

The provisions of this warranty are in lieu of any other written warranty whether express or implied, written or oral, including any warranty of merchantability or fitness for a particular purpose. The manufacturer's maximum liability shall not exceed the actual purchase price paid by you for the product. In no event shall the manufacturer be liable for special, incidental, consequential, or indirect damages. This warranty does not cover a defect that has resulted from improper or unreasonable use or maintenance, faulty assembly, accident, natural catastrophes, improper packing, or unauthorized tampering, alteration, or modification as determined solely by us. This warranty is void if the label bearing the serial number has been removed or defaced.

# Thank you for reading!



Share your feedback about the Clean Air Optima Intelligent Air Purifier CA-509Pro Smart on:  
[www.cleanairoptima.com](http://www.cleanairoptima.com)



For frequently asked questions about the CA-509Pro Smart go to:  
[www.cleanairoptima.com](http://www.cleanairoptima.com) and search for the CA-509Pro Smart.



Download PDF instruction manual on:  
[www.cleanairoptima.com/info/manuals](http://www.cleanairoptima.com/info/manuals)



Watch all Clean Air Optima Product animation video's on:  
[www.youtube.com](http://www.youtube.com)

**Clean Air Optima International B.V.** | Rientjesoven 26 | 7621 HG Borne  
The Netherlands | Phone: +31 (0) 74 - 2670145

**Clean Air Optima Germany GmbH** | Enschedestraße 14 | 48529 Nordhorn  
Germany | Phone: +49 (0) 5921 879-121

**E-mail:** [info@cleanairoptima.com](mailto:info@cleanairoptima.com)

**Internet:** [www.cleanairoptima.com](http://www.cleanairoptima.com)

## Deutsch

**Vielen Dank, dass Sie sich für den Intelligenten Luftreiniger Clean Air Optima CA-509Pro Smart entschieden haben.**

Wir wünschen Ihnen viele Jahre gesunde Raumluft mit diesem effizienten und effektiven Produkt.

Treffen Sie für die ordnungsgemäße Funktion dieses elektrischen Geräts unbedingt alle Sicherheitsvorkehrungen, wenn das Gerät verwenden. Diese Anleitung beschreibt die Sicherheitsvorkehrungen, die im Betrieb zu beachten sind. Sie sind dafür vorgesehen, Verletzungen vorzubeugen und Beschädigungen am Gerät zu vermeiden.

**Vor Verwendung Ihres neuen Luftreinigers Clean Air Optima CA-509Pro Smart.**

Entfernen Sie zuerst die Versiegelung von den Filtern (siehe Seite 5). Verwendung

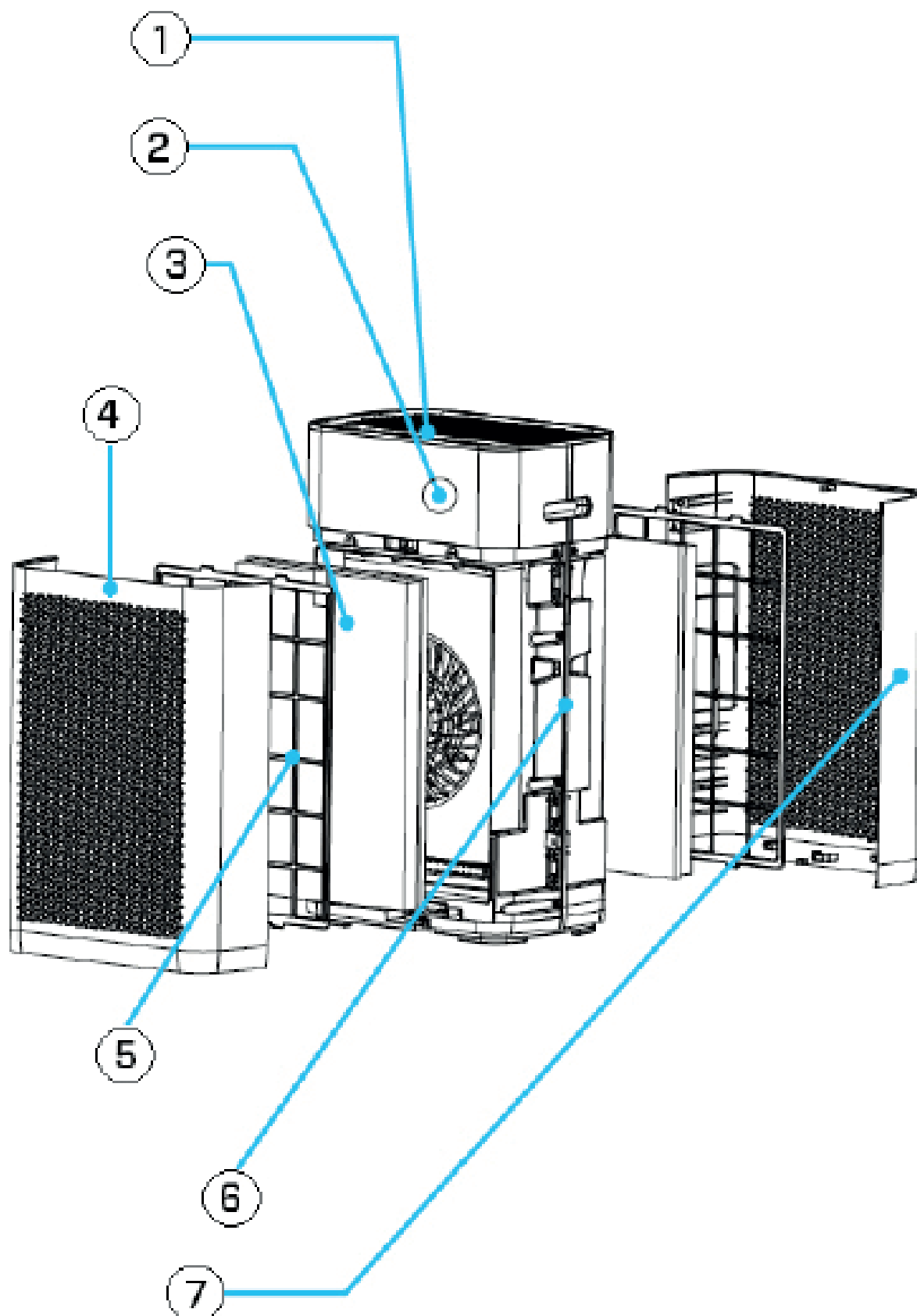


### Beschreibung des Geräts

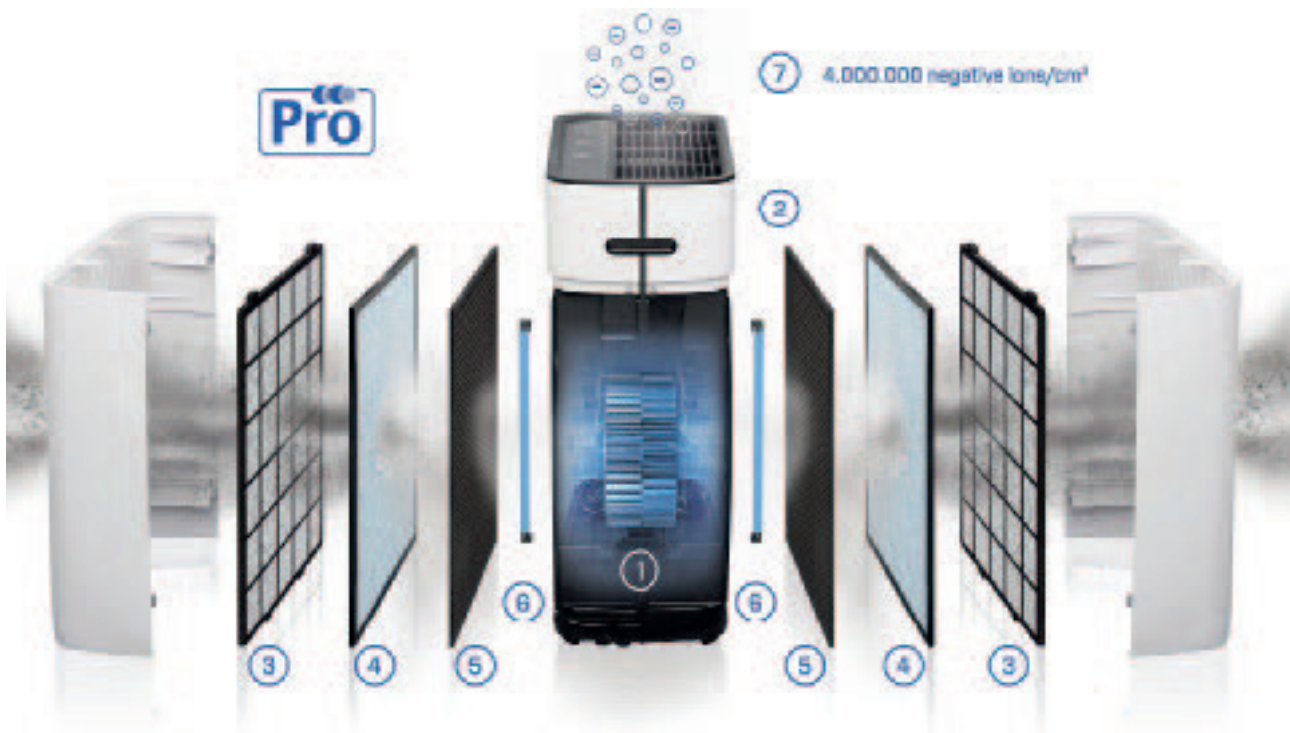
Das Gerät besteht aus folgenden Hauptkomponenten:

1. Bedienfeld
2. Digitaler Monitor für die Raumluftqualität
  - PM2.5 Partikelmessung
  - Relative Luftfeuchtigkeit in %
  - Temperatur in °C
3. Verbundfilter: TRUE HEPA- und Aktivkohlefilter
4. Frontplatte
5. Vorfilter
6. Hauptteil des Luftreinigers
7. Rückwand

## CA-509Pro Smart/ Hauptgerät



## Doppeltes Luftstromsystem - doppeltes Filtersystem - doppelter Ionisator für doppelte Luftreinigung!



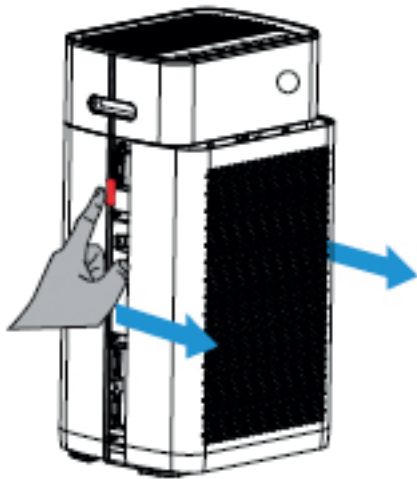
1. Doppel-Ventilator
2. Intelligent Particle Sensor™
3. Vorfilter
4. Nano-Zilver True HEPA-Filter
5. Aktivkohlefilter
6. UV Led Lampe
7. Doppelter Ionisator

## Sicherheitshinweise

Dieses Gerät darf nur in Übereinstimmung mit diesen Sicherheitshinweisen verwendet werden. Führen Sie die folgenden Schritte aus, um das Verletzungsrisiko für Personen (z.B. durch Stromschläge oder Feuer) zu minimieren.

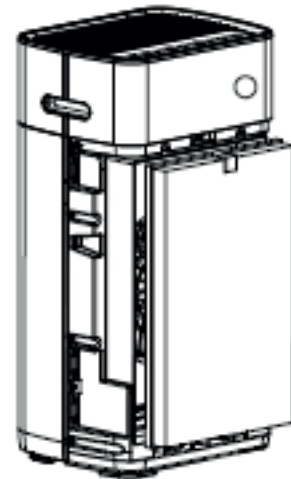
1. Nur für Innenräume geeignet. Nicht im Freien verwenden oder lagern.
2. Das Gerät ist nicht für die Verwendung durch Kinder oder Personen mit eingeschränkten körperlichen, sensorischen oder geistigen Fähigkeiten bestimmt, es sei denn, diese Personen werden von einer für ihre Sicherheit verantwortlichen Person beaufsichtigt.
3. Verwenden Sie das Gerät nicht, wenn sichtbare Schäden am Netzkabel oder am Gerät selbst vorhanden sind. Reparieren Sie das Gerät nicht selbst, wenn es beschädigt ist. Ziehen Sie das Gerät niemals an seinem Kabel. Wenn das Netzkabel beschädigt ist, muss es von einem befugten Servicemitarbeiter ausgetauscht werden, um Stromschlag oder Feuer zu vorzubeugen.
4. Reparaturen dürfen nur von befugtem Servicepersonal durchgeführt werden. Nicht versuchen, das Gerät selbst zu reparieren, um Stromschlägen oder Feuer vorzubeugen.
5. Immer den Stecker am Kabel abziehen, wenn das Gerät nicht benutzt wird.
6. Verwenden Sie nur die mitgelieferten Netzkabel.
7. Den Netzstecker aus der Steckdose ziehen, wenn Sie das Gerät nicht benutzen oder wenn Sie innere oder äußere Teile des Geräts reinigen.
8. Zur Sicherheit das Gerät in eine stabile, horizontale Position stellen. Beim Gebrauch nicht bewegen.
9. Verwenden Sie das Gerät nicht in Räumen, in denen brennbare Flüssigkeiten oder Gase aufbewahrt werden, in der Nähe von Wärmequellen oder in besonders feuchten Räumen wie dem Badezimmer.
10. Nie andere Gegenstände in das Gehäuse einführen, um Ausfällen vorzubeugen.
11. Nie den Lufteinlass und das Luftauslassgitter abdecken.
12. Nie die inneren Teile des Geräts zerlegen oder ersetzen.
13. Berühren Sie bei laufendem Gerät nicht die Luftein- und -auslassgitter. Stecken Sie weder den Griff noch einen anderen Gegenstand in den Luftauslass, um Verletzungen oder Schäden am Luftreiniger zu vermeiden.
14. Um das Luftein- und -auslassgitter des Luftreinigers frei zu halten, dürfen keine Gegenstände über oder in der Nähe der Frontabdeckung des Luftreinigers platziert werden.
15. Keine schweren Gegenstände auf das Gerät stellen.
16. Bitte Orte mit direktem Sonnenlicht vermeiden. Es besteht die Gefahr, dass sich das Gerät verfärbt.
17. Nie das Gerät in Wasser oder andere Flüssigkeiten eintauchen.
18. Berühren Sie das Netzkabel nicht mit nassen Händen.
19. Reinigen Sie den Vorfilter regelmäßig. Wenn der Vorfilter mit Staub gesättigt ist, führt es zu einer schlechten Reinigungswirkung. Die Leistungsaufnahme steigt, es kann zu Ausfällen führen.
20. Die normale Betriebsumgebung des Gerätes ist 0 °C bis 40 °C.
21. Verwenden, warten und reinigen Sie das Gerät wie in dieser Anleitung beschrieben.

## Gebrauchsanweisung (Filterinstallation für Vorder- und Rückseite)



### 1. Demontage des Panels

Drücken Sie mit beiden Fingern auf das rot markierte Symbol auf der linken und rechten Seite des Luftreinigers (siehe Abbildung). Ziehen Sie das Panel zu sich heran, wie mit den blauen Pfeilen angezeigt.



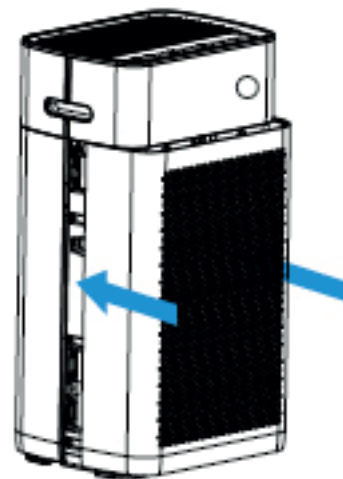
### 2. Einbau des Verbundfilters

Entfernen Sie die Versiegelung von den Filtern. Setzen Sie die Filter wieder in das Gerät ein. Der Ablass an der Unterseite und der Oberseite muss vorne sichtbar sein (die HEPA-Seite des Filters ist sichtbar).



### 3. Vorfilter installieren

Installieren Sie den Vorfilter mit der schwarzen Wölbung nach außen. Führen Sie seinen unteren Teil in den unteren Schlitz ein und drücken Sie die Oberseite (mit den Pfeilen darauf) vorsichtig in den oberen Schlitz.

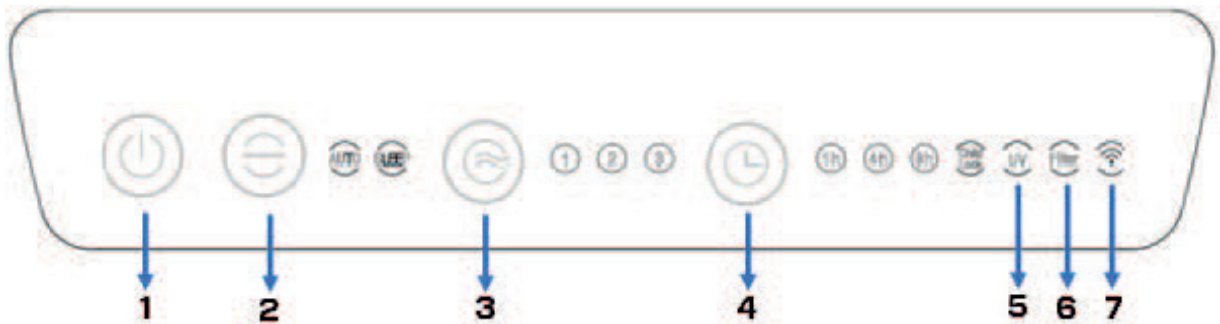


### 4. Das Panel installieren

Schieben Sie die Frontplatte parallel entlang der Ober- und Unterkante in die blau dargestellte Richtung (siehe Abbildung). Wenn Sie ein Klicken hören, ist das Panel installiert.

Das Gerät muss mindestens 30 cm von Wänden und Möbeln entfernt aufgestellt werden, um einen guten Luftstrom zu erhalten. Achten Sie darauf, dass die Luftein- und -auslässe nicht blockiert sind.

## Bedienfeld / Bedienungsanleitung



### 1 Ein/Aus

Durch Drücken auf die Taste „Ein/Aus“ schalten Sie das Gerät ein und aus. (Standard nach dem Einschalten des Geräts ist der Auto-Modus).

### 2 Modus

Die Taste „Modus“ drücken Sie für die Auto- und Ruhe-Funktion.

In der Einstellung **Auto** misst und regelt der integrierte intelligente Sensor (Intelligent Particle Sensor™) die Luftqualität automatisch. Der sensorgesteuerte Ventilator antizipiert automatisch, inwieweit die Raumluft durch Partikelgröße PM2,5 belastet ist und passt die 3 verschiedenen Drehzahlen daran an.

In der Einstellung **Sleep** leuchtet die Kontrollleuchte auf. Die Kontrollleuchte zusammen mit der Digitalanzeige geht nach 5 Sekunden aus. Drücken Sie eine beliebige Taste, um die Kontrollleuchte und die Digitalanzeige neu zu starten. Die Kontrollleuchte und der digitale Monitor gehen nach 5 Sekunden wieder aus. (Der Ventilator läuft in der niedrigsten Drehzahlstufe).

### 3 Drehzahl

Durch Drücken der Taste „Speed“ können Sie die Geschwindigkeitsstufe ändern. Die 3 Ventilatorstufen bieten einen individuellen Luftstrom. (1-2-3 bedeutet, dass die Windgeschwindigkeit steigt).

### 4 Timer

Drücken Sie die Taste „Timer“, um den Timer auf „Automatisches Umschalten“ in einem Bereich zwischen 1, 4 und 8 Stunden einzustellen. Die Anzahl der gewählten Stunden kann auf dem Display des Timers abgelesen werden.

### 5 UV-LED-Lampe

Die UV-LED-Lampen müssen Sie nach 8.000 Betriebsstunden auswechseln, oder wenn die Kontrollleuchte (UV) auf dem Display ausgeht.

### 6 Filter

Blinkt die Kontrollleuchte, muss der Verbundfilter (HEPA- und Aktivkohlefilter) ersetzt werden. Der Verbundfilter hat eine Lebensdauer von 2.000 Stunden.

### 7 WiFi

WiFi-Anzeige.

### 2 + 3 Kindersicherung

Die Kindersicherung schützt vor unbefugter Benutzung des Gerätes.

Die Kindersicherung wird durch gleichzeitiges Drücken der Modus- und Speed-Taste ein- und ausgeschaltet. Die Kontrollleuchte „Kindersicherung“ leuchtet.

### 3 + 4 Filter zurücksetzen

Setzen Sie den Timer für den Verbundfilter zurück, indem Sie die Taste „Speed“ und „Timer“ gedrückt halten (ca. 3 Sekunden lang). Wenn die Kontrollleuchte erlischt, wurde der Timer erfolgreich zurückgesetzt.

## Digitaler Monitor

Der digitale Monitor an der Vorderseite des Luftreinigers CA-509Pro Smart zeigt die aktuelle Luftqualität automatisch exakt an, indem er den Wert der Partikelmessung PM2,5, die Luftfeuchtigkeit und die Temperatur im Raum misst.



**Grün** - Gut:  
0-80 µg/m<sup>3</sup>

**Blau** - Durchschnittlich:  
80-150 µg/m<sup>3</sup>

**Rot** - Schlecht:  
150 µg/m<sup>3</sup> oder mehr

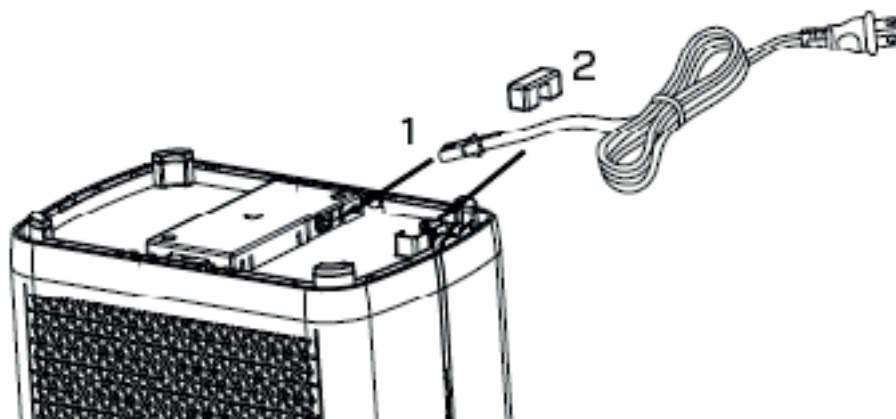
Partikel mit 10 µm (PM10) Größe (und kleiner) bzw. 2,5 µm (PM2,5) können in die Lunge gelangen und gehören zu den 10 größten Gefahren für die menschliche Gesundheit. Diese kleinen Partikel entstehen durch typische Tätigkeiten in Innenräumen (wie Kochen, Backen, Braten, Frittieren, Rauchen sowie Heizen) oder werden aufgrund von Verkehr, Industrie, Bauwesen, biologischem Material (Pollen, Bakterien, Milben und Viren) oder importierten Partikeln aus anderen Quellen wie (Flugzeug-)Abgasen und Vulkanausbrüchen großen Mengen in die Raumluft transportiert.

Von Allergenen (wie Pollen und Staub) geht im Frühjahr eine schwere und langfristige Gesundheitsgefahr für Millionen Menschen aus: Die Zahl steigt ständig.

Messung von relativer Luftfeuchtigkeit und Temperatur

Wichtige Aspekte für eine effektive Luftreinigung: relative Luftfeuchtigkeit 45 – 60 % und Raumtemperatur ca. 20 – 23 °C

## Netzkabel



1. Entfernen Sie den Kleber für das Netzkabel von der Unterseite des Geräts und stecken Sie das Ende des Netzkabels in die Buchse an der Unterseite des Geräts (wie in Abbildung 1 dargestellt).
2. Führen Sie das Netzkabel ein in den Kabelschlitz und befestigen Sie es mit dem Presskleber (wie in Abbildung 2 dargestellt).

## Betrieb mit Clean Air Optima<sup>®</sup> App

### Konnektivität

#### Kompatibilität mit Smartphone und Tablet:



iPhone, iPad und Android-Geräte

#### Das Gerät verbindet sich über WLAN mit der App:

CleanAirOptima

**Achtung:** Der Router muss auf das 2,4-GHz-Breitband eingestellt sein. Wenn der Router auf 5,0 GHz eingestellt ist, kann keine Verbindung hergestellt werden.

#### =WLAN-Verbindung einrichten

1. Laden Sie die App „CleanAirOptima“ im App Store oder Google Play Store herunter und installieren Sie sie.
2. Erstellen Sie ein Konto und melden Sie sich an.
3. Stecken Sie den Stecker des Geräts in die Steckdose und schalten Sie das Gerät ein. Die WLAN-Kontrollleuchte blinkt.
4. Der Router muss auf das 2,4-GHz-Breitband eingestellt sein. Wenn der Router auf 5,0 GHz eingestellt ist, kann keine Verbindung hergestellt werden.
5. Stellen Sie sicher, dass Bluetooth auf Ihrem Smartphone aktiviert ist.
6. Stellen Sie sicher, dass Ihr Smartphone oder Tablet mit Ihrem WLAN-Netzwerk verbunden ist.
7. Öffnen Sie die App „CleanAirOptima“ und klicken Sie auf „Gerät hinzufügen“ . Ihr Gerät wird aufgelistet und Sie können es auswählen. Wenn nicht, wählen Sie „Automatische Suche“. Befolgen Sie die Anweisungen auf dem Bildschirm, um das Gerät mit Ihrem Netzwerk zu verbinden.
8. Fügen Sie das Clean Air Optima<sup>®</sup>-Gerät zur App hinzu und folgen Sie den Anweisungen in der App.
9. Wenn das Gerät verbunden ist, leuchtet die WLAN-Anzeige  dauerhaft.
10. Nach erfolgreicher Konfiguration können Sie die Clean Air Optima<sup>®</sup> App verwenden, um das Gerät zu bedienen.

#### Hinweis:

- Wenn sich Ihr Standardnetzwerk geändert hat, setzen Sie die WLAN-Verbindung zurück, indem Sie die Schritte 3 bis 8 des Kapitels „WLAN-Verbindung einrichten“ ausführen.
- Wenn Sie mehrere Geräte mit Ihrem Smartphone oder Tablet verbinden möchten, müssen Sie dies nacheinander tun.
- Stellen Sie sicher, dass der Abstand zwischen Ihrem Smartphone oder Tablet und dem Gerät weniger als fünf Meter beträgt und keine Hindernisse vorhanden sind. Stellen Sie außerdem sicher, dass Sie sich im selben Raum wie das Gerät befinden.

#### Setzen Sie die WLAN-Funktion zurück:

- Setzen Sie das WLAN zurück, indem Sie die Tasten „Mode“ und „Timer“ drei Sekunden lang gedrückt halten; die WLAN-Anzeige blinkt schnell.



## Geräte mit mehreren Telefonen verbinden

Hinweis: Zuerst muss die andere Person die Clean Air Optima® App auf ihrem Telefon installieren und ein neues Konto erstellen.

### **Geben Sie das Gerät mit eingeschränktem Zugriff frei:**

Sie können ein Gerät mit mehreren Personen teilen.

Diese Person hat dann Zugriff, kann aber nicht alle Einstellungen verwalten.

Beachten Sie die folgende Anleitung, um das Gerät mit mehreren Personen zu teilen:

1. Rufen Sie das entsprechende Gerät auf.
2. Gehen Sie auf den Stift oder die drei Punkte oben rechts.
3. Wählen Sie „Share device“.
4. Wählen Sie „Add sharing“.
5. Wählen Sie die Freigabemethode, z. B. per E-Mail, Whatsapp, SMS usw., und fahren Sie fort.
6. Das Gerät wird in der Clean Air Optima® App automatisch mit dem anderen Konto angezeigt.

### **Gemeinsames Gerät mit vollem Zugriff:**

Sie können eine Person oder mehrere Personen zu Ihrer Hausverwaltung hinzufügen.

Diese Person erhält dann Zugriff auf alle Ihre bereits verknüpften Geräte und verfügt über alle Rechte und Berechtigungen. Sie werden immer der verantwortliche Administrator bleiben.

Beachten Sie die folgenden Schritte, um jemanden zu Ihrer Hausverwaltung hinzuzufügen:

1. Öffnen Sie die Clean Air Optima® App und gehen Sie auf „Me“.
2. Wählen Sie „Home Management“.
3. Wählen Sie „Create a home“.
4. Wählen Sie das entsprechende „Home“ und „Add member“.
5. Wählen Sie die Freigabemethode, z. B. per E-Mail, Whatsapp, SMS usw., und fahren Sie fort.
6. Das entsprechende „Home“ erscheint automatisch in der Clean Air Optima® App der Person, mit der Sie Ihr „Home“ geteilt haben.
5. Auf dem anderen Konto:  
Rufen Sie den Startbildschirm der Clean Air Optima® App auf. Gehen Sie nach oben links und wählen Sie das entsprechende „Home“.

## Fernbedienung

### EIN/AUS

Durch Drücken auf die Taste „Ein/Aus“ schalten Sie das Gerät ein und aus. (Standard nach dem Einschalten des Geräts ist der Auto-Modus).

### Drehzahl

Durch Drücken der Taste „Speed“ können Sie die Geschwindigkeitsstufe ändern. Die 3 Ventilatorstufen bieten einen individuellen Luftstrom.

### Timer

Drücken Sie die Taste „Timer“, um den Timer auf „Automatisches Umschalten“ in einem Bereich zwischen 1, 4 und 8 Stunden einzustellen.

### Kindersicherung

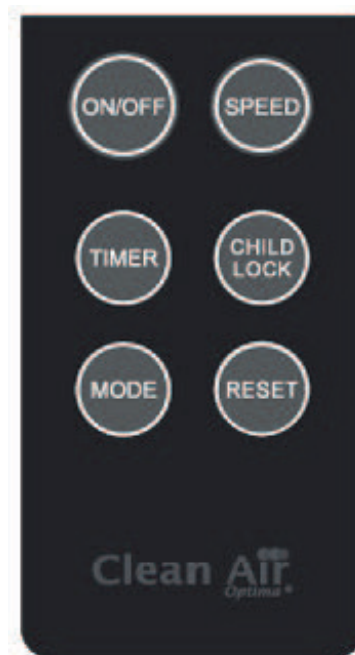
Die Kindersicherung wird durch Drücken der Kindersicherungstaste für ca. 3 Sekunden ein- und ausgeschaltet.

### Modus

Die Taste „Modus“ drücken Sie zum Umschalten zwischen der Modus- und Sleep-Funktion.

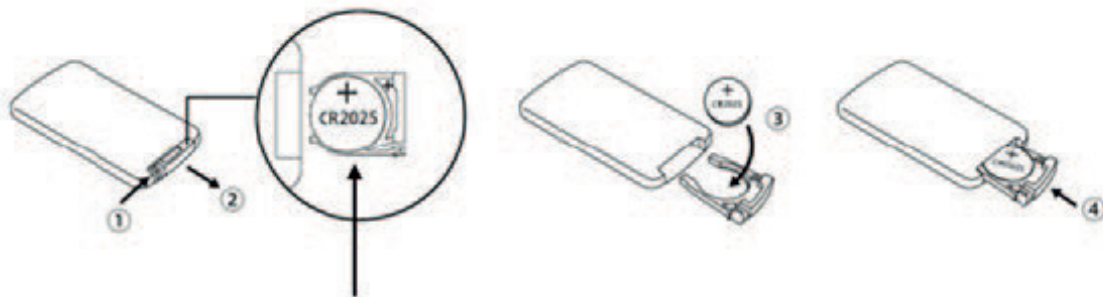
### Zurücksetzen

Setzen Sie den Timer für den Verbundfilter zurück, indem Sie die Reset-Taste ca. 3 Sekunden lang gedrückt halten.



## Batteriewechsel

1. Öffnen Sie den Batteriehalter auf der Rückseite der Fernbedienung, indem Sie die Sicherungslasche (Schritt 1) mit dem Daumen nach rechts drücken und dann den Batteriehalter herausziehen (Schritt 2).
2. Entfernen Sie die alte Batterie und setzen Sie die neue Batterie (Typ CR2025.3V) mit der richtigen Polarität ein (Schritt 3).
3. Setzen Sie eine neue Batterie ein (Typ CR2025.3V).
4. Schieben Sie den Batteriehalter wieder in die Fernbedienung (Schritt 4).



Batterie (Typ CR2025)

## Vorsichtsmaßnahmen

1. Wenn Sie die Fernbedienung längere Zeit nicht benutzen, nehmen Sie bitte die Batterie heraus, damit sie nicht ausläuft und die Fernbedienung beschädigt.
2. Die Fernbedienung in Reichweite des Luftreinigers betätigen
3. Wenn die Fernbedienung nicht ordnungsgemäß funktioniert, nehmen Sie bitte die Batterie heraus und legen Sie sie nach 30 Sekunden wieder ein. Wenn es immer noch nicht richtig funktioniert, die Batterie ersetzen.

## Wartung

### Reinigung der Außenseite des Luftreinigers

1. Schalten Sie das Gerät aus und ziehen Sie den Netzstecker aus der Steckdose.
2. Reinigen Sie das Gerät mit einem feuchten, weichen Tuch von Staub und Schmutz.
3. Stellen Sie sicher, dass **kein Wasser** in das Gerät gelangt.

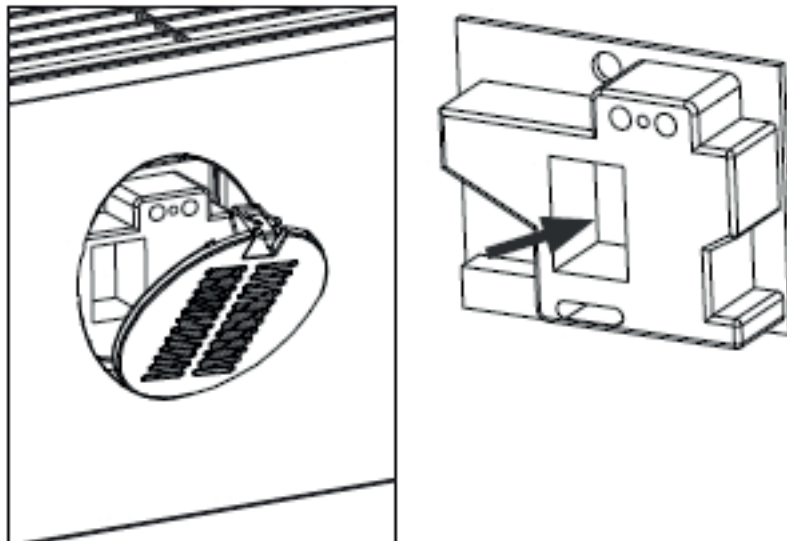
### Reinigung des Intelligent Particle Sensor™

#### Reinigen Sie den Luftqualitätssensor alle 6 bis 8 Wochen.

Wenn der Wert von PM 2,5 falsch angezeigt wird, kann die Sensorlinse mit einem Wattestäbchen gereinigt werden.

1. Nehmen Sie die Abdeckung vom Sensor ab.
2. Reinigen Sie die Sensorlinse mit einem Wattestäbchen und Wasser, wie mit dem Pfeil angegeben. Trocknen Sie die Linse anschließend mit einem sauberen Wattestäbchen.
3. Bringen Sie die Abdeckung des Sensors an.
4. Wischen Sie die Sensorlinse nicht mit Alkohol oder anderen organischen Lösungsmitteln ab.

**Achtung!** Bei sehr hoher Luftfeuchtigkeit im Raum besteht die Gefahr von Kondensation am Luftqualitätssensor. Das kann dazu führen, dass die Luftqualitätsanzeige (Digitalanzeige - Partikelmessung) anzeigt, dass die Luftqualität schlecht ist, was jedoch nicht der Fall sein sollte. In diesem Fall empfehlen wir Ihnen, den Luftqualitätssensor zu reinigen oder den Luftreiniger nicht im Automatikmodus zu verwenden.



## Austausch von Filtern

Der **Intelligenter Luftreiniger Clean Air Optima CA-509Pro Smart** ist mit einem Mechanismus zur Überwachung der Filterlebensdauer ausgestattet, der signalisiert, dass die Filter nach 2.000 Betriebsstunden ausgetauscht werden müssen. Um anzuzeigen, dass die Verbundfilter (**HEPA + Aktivkohlefilter**) ausgetauscht werden müssen, blinkt eine Kontrollleuchte am Luftreiniger. Setzen Sie den Timer für den Verbundfilter zurück. Halten Sie dazu die Taste Drehzahl und Timer gedrückt (ca. 3 Sekunden). Wenn die Kontrollleuchte erlischt, wurde der Timer erfolgreich zurückgesetzt.

**Je nach Anwendung haben die Verbundfilter (HEPA + Aktivkohlefilter) eine Lebensdauer von ca. 6-8 Monaten.**

### Filterreinigung

Die beste Wirkung wird erzielt, wenn die Filter einmal im Monat gereinigt werden. Bei stark belasteter Raumluft kann eine weitere Reinigung erforderlich sein.



Reinigen Sie den **Vorfilter** und den **HEPA-Filter** mit einer Bürste oder Ihrem Staubsauger. Auf diese Weise können größere Staubpartikel (wie Flusen, Haare und Hautschuppen von Haustieren) aus dem Filter entfernt werden.

**Warnung!** Befeuchten oder spülen Sie die Verbundfilter (**HEPA + Aktivkohlefilter**) niemals mit Wasser.

### Anzeichen für verbrauchte Filter

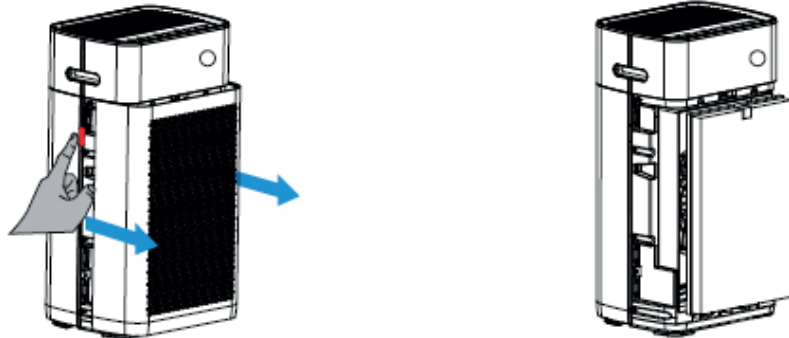
Lauteres Betriebsgeräusch, reduzierter Luftstrom, überfüllte Filter, zunehmende Geruchsbelästigung. Der Filter muss durch einen neuen ersetzt werden, wenn sich die Farbe des HEPA-Filters von weiß zu grau oder schwarz geändert hat. Wenn der HEPA-Filter noch weiß ist, ist ein Austausch des Filters nicht erforderlich.

### Bestellen von Filtern:

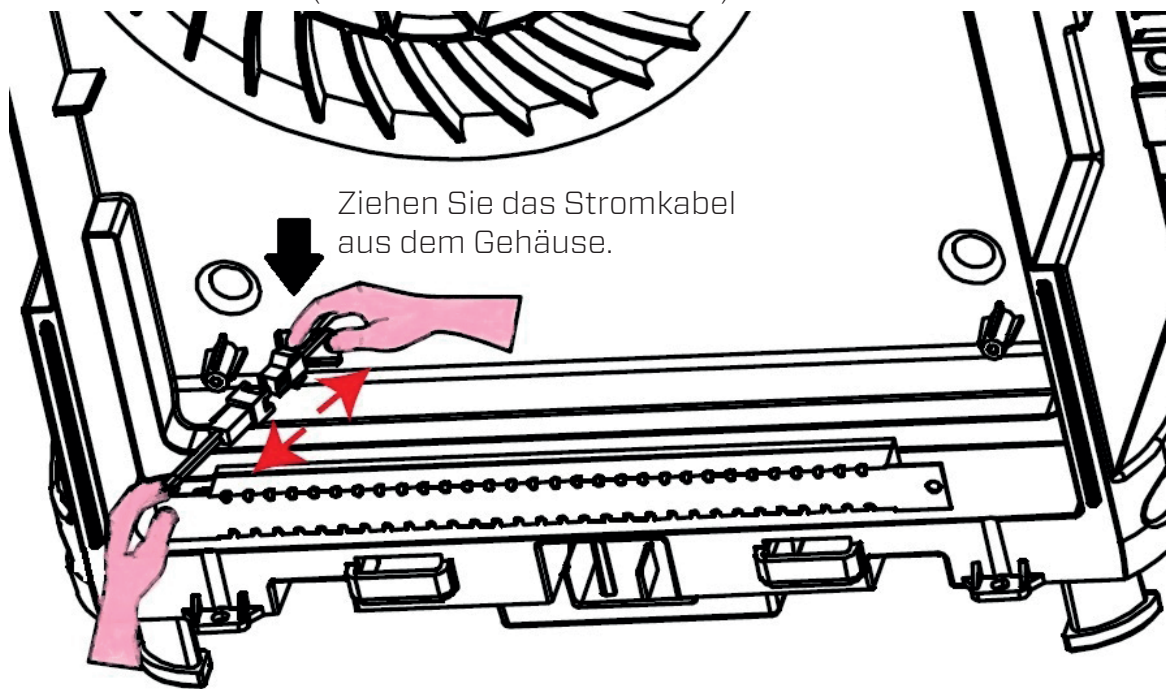
Kontaktieren Sie den Kundendienst von Clean Air Optima unter Tel. + 31 (0) 742670145 oder besuchen Sie unseren Webshop: <https://www.cleanairoptima.com>

## Auswechseln der UV-LED-Lampen (an der Vorder- und Rückseite des Geräts)

Beide UV-LED-Lampen des Luftreinigers Clean Air Optima CA-509Pro Smart haben eine Lebensdauer von 8.000 Betriebsstunden = 1 Jahr Betrieb rund um die Uhr. Die UV-LED-Lampen müssen Sie nach 8.000 Betriebsstunden auswechseln, oder wenn die Kontrollleuchte (UV) auf dem Display ausgeht.



1. Schalten Sie das Gerät aus und ziehen Sie den Netzstecker aus der Steckdose.
2. Drücken Sie mit beiden Fingern auf die Entriegelungsknöpfe und nehmen Sie die vordere und hintere Abdeckung ab.
3. Nehmen Sie die Filter (an der Vorder- und Rückseite) heraus.



4. Drehen Sie mit einem Kreuzschlitzschraubendreher die Schrauben aus der Metallabdeckung der beiden UV-LED-Lampen (an der Vorder- und Rückseite).
5. Ziehen Sie das Stromkabel aus dem Gehäuse zu sich heraus, bis Sie die Steckverbindungen sehen. Lösen Sie die Steckverbindungen, siehe Abbildung.
6. Jetzt können Sie die neuen UV-LED-Lampen einbauen. Nach dem Einbau der UV-LED-Lampen leuchtet die Kontrollleuchte (UV) wieder auf.

### Bestellen von UV-LED-Lampen:

Wenden Sie sich an den Kundendienst von Clean Air Optima unter Telefon + 31 (0)742670145 oder besuchen Sie unseren Webshop: <https://www.cleanairoptima.com>

## Störungsbehebung

Im Folgenden finden Sie eine Anleitung zur Störungssuche. Sie hilft Ihnen, Probleme zu lösen, die bei Verwendung des **Clean Air Optima Luftreiniger CA-509Pro Smart** auftreten können.

Problem	Mögliche Ursache	Lösung
Gerät schaltet nicht ein	Das Netzkabel ist nicht richtig angeschlossen Das Netzkabel ist defekt Die Front- oder Rückwand ist nicht richtig montiert	Den Netzstecker und die Steckdose korrekt anschließen Das Netzkabel ersetzen Installieren Sie das Panel richtig. Siehe Kapitel: Verwendung
Der Luftauslass riecht übel	Der Filter fängt zu viel Geruch oder Staub auf Die Lebensdauer der Filter ist abgelaufen	Die Verbundfilter ersetzen Die Verbundfilter ersetzen
Schlechter Reinigungswirkung	Kontrollieren, ob die Luft im Raum zu trocken ist Das Gerät ist in einem nicht belüfteten Raum aufgestellt oder von Hindernissen umgeben	Die Luftfeuchtigkeit erhöhen Die Hindernisse entfernen
Aus dem Gerät wird keine Luft geblasen	Der Lufteinlass oder -auslass ist blockiert	Die Hindernisse entfernen
Die Fernbedienung funktioniert nicht	Kontrollieren, ob die Batterie eingelegt ist Kontrollieren, ob die Batterie eingelegt ist Die Kapazität der Batterie kontrollieren Kontrollieren, ob der Abstand der Fernbedienung die Reichweite überschreitet	Die Batterie einsetzen Die Batterie richtig einsetzen Die Batterie ersetzen Die Reichweite beträgt 5 Meter von der Vorderseite des Geräts
<b>Der Betrieb mit der Clean Air Optima® App funktioniert nicht</b>	Das Smartphone oder Tablet ist nicht mit dem WLAN-Netzwerk verbunden Das Gerät hat keine Verbindung zum Netzwerk	Setzen Sie das Gerät zurück, indem Sie die Tasten STAND und TIMER 3 Sekunden lang gedrückt halten. Die WLAN-Kontrollleuchte blinkt. Führen Sie dann Schritt 4 bis 8 aus dem Kapitel „ <b>Bedienung</b> “ mit der <b>Clean Air Optima® App</b> aus.

## WARNUNG!

Wenn die oben empfohlenen Lösungen nicht funktionieren: Wenden Sie sich bitte an den technischen Kundendienst von Clean Air Optima unter der Telefonnummer Ihrer Region. Nicht versuchen, das Gerät zu zerlegen, wieder zusammenzubauen oder zu reparieren, da andernfalls die Garantie erlöschen kann.

## Technische Daten

Modell	CA-509Pro Smart
Für Räume bis	90 m <sup>2</sup> / 225 m <sup>3</sup> / 970 ft <sup>2</sup>
Nennspannung	220 - 240 V, 50 Hz/60 Hz
Nennleistung	Max. 53 W
Lüfterleistung (CADR)	400 m <sup>3</sup> /h (Feststoffpartikel) - 100 m <sup>3</sup> /h (Formaldehyd)
Filterleistung	99,97 %
Sterilisationsrate	99,9 %
Negatives Ion	2.000.000 Ionen/cm <sup>2</sup>
Schallpegel	Leiser Lüfter < 20 dB(A) niedrig 1 / 35 dB(A) mittel 2 / 55 dB(A) Turbo 3
Maße	560 x 320 x 210mm
Gewicht	7,5kg
Farbe	Hellweiß
Entspricht den EU-Vorschriften	CE / EEAG / RoHS

**Fragen Sie Ihren Händler oder Ihre Kommunalverwaltung nach aktuellen Informationen über die Entsorgung der Verpackung und des Geräts.**



## Service

### Garantiezertifikat für Intelligenter Luftreiniger Clean Air Optima CA-509Pro Smart.

Kaufdatum: .....

Name des Kunden: .....

Adresse: .....

Telefon: .....

E-Mail: .....

Name des Verkäufers: .....

Adresse: .....

1. Bitte füllen Sie dieses Garantiezertifikat vollständig aus. Senden Sie es mit der Rechnung und dem Gerät, Porto im Voraus bezahlt und in der Originalverpackung an Ihren Händler. Fügen Sie ausreichendes Rückporto für das Paket bei.
2. Bitte fügen Sie eine kurze Beschreibung des Schadens, der Störung oder des Fehlers und der Umstände bei, unter denen diese Probleme aufgetreten sind.

Der **Clean Air Optima Intelligenter Luftreiniger CA-509Pro Smart** wird vor Verlassen des Werks strengen Prüfverfahren unterzogen. Wenn das Produkt innerhalb von 2 Jahren ab Kaufdatum nicht den Spezifikationen entspricht, hat der Käufer aufgrund von Fertigungsmängeln das Recht auf kostenlose Reparatur oder Ersatz von Teilen gegen Vorlage dieser Garantie (vorausgesetzt, dass die Fehlfunktion oder Beschädigung des Geräts und/oder der Teile unter normalen Betriebsbedingungen aufgetreten ist). Die Garantie gilt: Für alle in Material und Verarbeitung fehlerhaften Teile. Wie lange: zwei Jahre ab Kaufdatum. Das werden wir tun: Fehlerhafte Teile reparieren oder ersetzen.  
Ausschlüsse: Filter regelmäßig austauschen.

### Sonstige Bedingungen

Die Bestimmungen dieser Garantie ersetzen alle anderen schriftlichen Garantien, ob ausdrücklich oder stillschweigend, schriftlich oder mündlich, einschließlich der Garantie der Marktgängigkeit oder Eignung für einen bestimmten Zweck. Die maximale Haftung des Herstellers überschreitet nicht den tatsächlichen Kaufpreis, den Sie für das Produkt gezahlt haben. In keinem Fall haftet der Hersteller für besondere, zufällige, Folge- oder indirekte Schäden. Diese Garantie erstreckt sich nicht auf einen Mangel, der nach unserem alleinigen Ermessen auf unsachgemäße oder unangemessene Verwendung oder Wartung, fehlerhafte Montage, Unfall oder Naturkatastrophen, unsachgemäße Verpackung oder unbefugte Manipulationen, Änderungen oder Modifikationen zurückzuführen ist. Diese Garantie erlischt, wenn der Aufkleber mit der Seriennummer entfernt oder entstellt wurde.

# Vielen Dank für das Lesen!



Äußern Sie Ihre Meinung über den Intelligenten Luftreiniger Clean Air Optima CA-509Pro Smart auf:  
[www.cleanairoptima.com](http://www.cleanairoptima.com)



Für häufig gestellte Fragen zum CA-509Pro Smart besuchen Sie bitte:  
[www.cleanairoptima.com](http://www.cleanairoptima.com) und suchen Sie nach „CA-509Pro Smart“.



Laden Sie die PDF-Bedienungsanleitung herunter unter:  
[www.cleanairoptima.com/info/manuals](http://www.cleanairoptima.com/info/manuals)



Alle Videos mit Produktanimationen von Clean Air Optima finden Sie auf:  
[www.youtube.com](http://www.youtube.com)

**Clean Air Optima International B.V.** | Rientjesoven 26 | 7621 HG Borne  
Niederlande | Telefon: +31 (0) 74 - 2670145

**Clean Air Optima Germany GmbH** | Enschedestraße 14 | 48529 Nordhorn |  
Deutschland | Telefon: +49 (0)5921 879-121

**E-Mail:** [info@cleanairoptima.com](mailto:info@cleanairoptima.com)

**Internet:** [www.cleanairoptima.com](http://www.cleanairoptima.com)

## Nederlands

### **Bedankt voor de aankoop van de Clean Air Optima intelligente luchtreiniger CA-509Pro Smart.**

Wij wensen u vele jaren gezonde binnenlucht toe met dit efficiënte en doeltreffende product.

Voor de juiste werking van dit elektrische apparaat is het belangrijk dat alle veiligheidsvoorschriften tijdens het gebruik in acht worden genomen. Deze instructies beschrijven de veiligheidsvoorschriften die tijdens het gebruik moeten worden nageleefd. Ze zijn bedoeld om verwondingen en schade aan het apparaat te voorkomen.

### **Voordat u uw nieuwe Clean Air Optima luchtreiniger CA-509Pro Smart gebruikt.**

Verwijder eerst de beschermfolie van de filters, zie blz. 5. Hoe gebruiken.

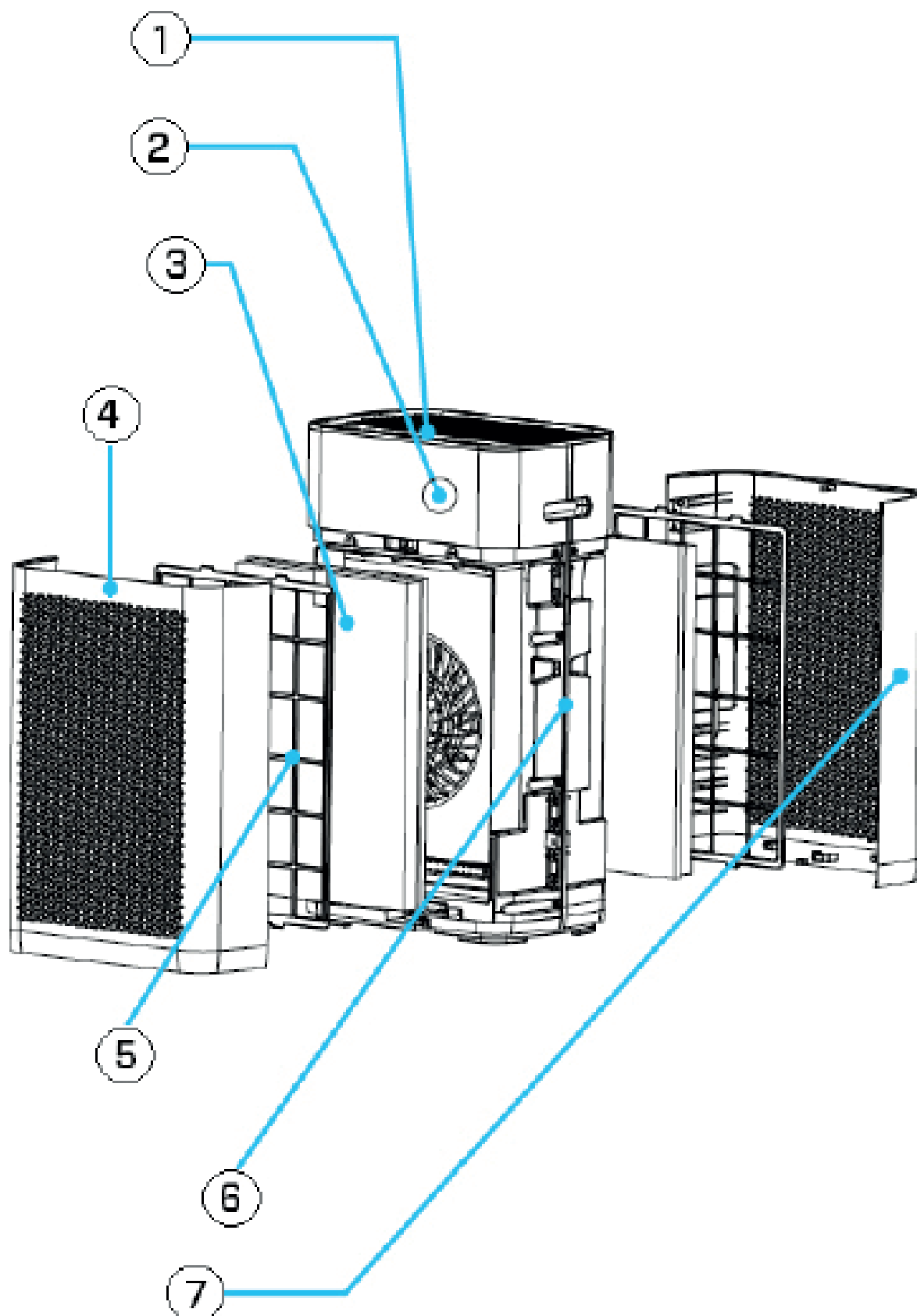


### **Beschrijving van het apparaat**

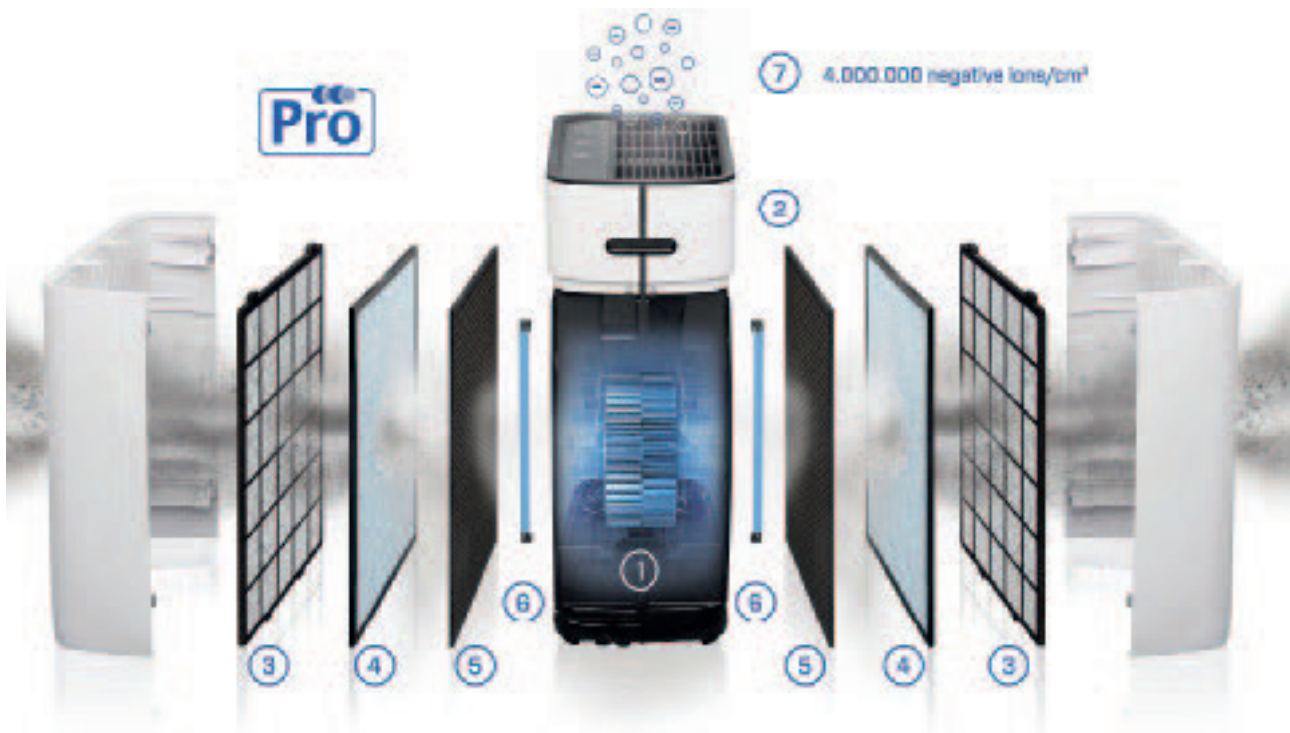
Het apparaat bestaat uit de volgende hoofdonderdelen:

1. Bedieningspaneel
2. Digitale monitor voor de luchtkwaliteit binnenshuis
  - PM2.5 Deeltjesmeting
  - Relatieve luchtvochtigheid in %
  - Temperatuur in °C
3. Samengestelde filter: TRUE HEPA en actieve-koolfilter
4. Voorpaneel
5. Voorfilter
6. Hoofddeel van de luchtreiniger
7. Achterpaneel

## CA-509Pro Smart/ Hoofdeenheid



## Dubbel luchtstroomsysteem - dubbel filtersysteem - dubbele ionisator voor dubbele luchtzuivering!



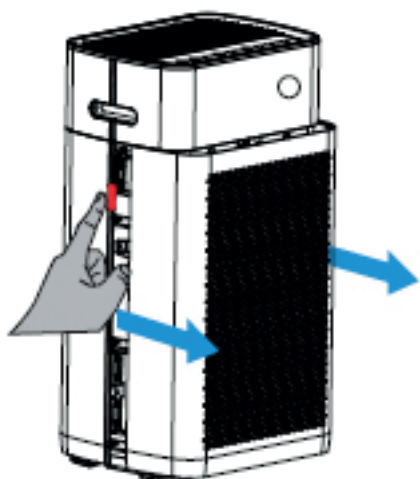
1. Dubbele ventilator
2. Intelligent Particle Sensor™
3. Voorfilter
4. True HEPA-filter van Nano-Zilver
5. Actieve-koolfilter
6. UV LED lamp
7. Dubbele ionisator

## Veiligheidswaarschuwingen

Dit apparaat mag alleen worden gebruikt in overeenstemming met deze veiligheidsinstructies. Houd rekening met het volgende om het risico op verwondingen door bijvoorbeeld elektrische schokken of brand tot een minimum te beperken.

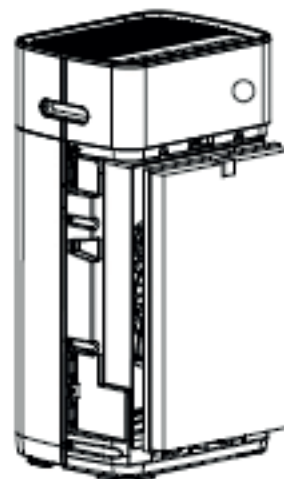
1. Alleen voor gebruik binnenshuis. Niet buiten gebruiken of opslaan.
2. Het apparaat is niet bestemd voor gebruik door kinderen of personen met verminderde lichamelijke, zintuiglijke of verstandelijke vermogens, tenzij zij onder toezicht staan van een persoon die verantwoordelijk is voor hun veiligheid.
3. Gebruik het apparaat niet als er zichtbare schade is aan het netsnoer of het apparaat zelf. Repareer een beschadigd apparaat niet zelf. Trek nooit aan het snoer van het apparaat. Als het netsnoer beschadigd is, moet het worden vervangen door erkend servicepersoneel om elektrische schokken of brand te voorkomen.
4. Herstellingen mogen alleen worden uitgevoerd door erkend servicepersoneel. Probeer het apparaat niet zelf te repareren, om elektrische schokken of brand te voorkomen.
5. Maak de stekker steeds los van het snoer wanneer het apparaat niet wordt gebruikt.
6. Gebruik alleen de meegeleverde netsnoeren.
7. Trek de stekker uit het stopcontact wanneer u het apparaat niet gebruikt of wanneer u interne of externe onderdelen ervan reinigt.
8. Plaats het apparaat uit veiligheidsoverwegingen in een stabiele, horizontale positie. Verplaats het apparaat niet tijdens het gebruik.
9. Gebruik het apparaat niet op plaatsen waar ontvlambare vloeistoffen of gassen worden bewaard, in de buurt van warmtebronnen of op bijzonder vochtige plaatsen zoals de badkamer.
10. Steek nooit een voorwerp in de behuizing van het apparaat om defecten te vermijden.
11. Dek de luchtinlaat- en luchtuitlaatroosters nooit af.
12. Demonteer of vervang nooit de binnenste delen van het apparaat.
13. Raak de luchtinlaat- en uitlaatroosters niet aan wanneer het apparaat in werking is en steek de handgreep noch enig voorwerp in de luchtuitlaat om verwonding of schade aan de luchtreiniger te voorkomen.
14. Om het inlaat- en uitlaatluchtrooster van de luchtreiniger ongehinderd te houden, mag u geen voorwerpen boven of in de buurt van de voorkant van de luchtreiniger plaatsen.
15. Plaats geen zware voorwerpen op het apparaat.
16. Vermijd plaatsen met direct zonlicht. Het risico bestaat dat het apparaat verkleurt.
17. Dompel het apparaat nooit onder in water of andere vloeistoffen.
18. Raak het netsnoer niet aan met natte handen.
19. Reinig de voorfilter regelmatig; als de voorfilter verzadigd is met stof, zal dit leiden tot een slechte reinigende werking. Het stroomverbruik zal toenemen, het kan storingen veroorzaken.
20. Het apparaat is te gebruiken bij temperaturen tussen de 0 °C tot 40 °C.
21. Gebruik, onderhoud en reinig het apparaat zoals beschreven in deze handleiding.

## Hoe te gebruiken (filterinstallatie voor en achter)



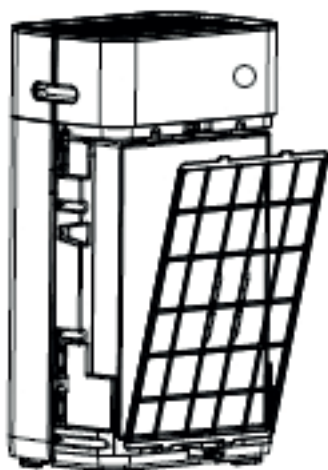
### 1. Demonteer het paneel

Druk met beide vingers op het rood aangegeven pictogram links en rechts op de luchtreiniger, zie afbeelding. Trek het paneel naar u toe zoals aangegeven door de blauwe pijlen.



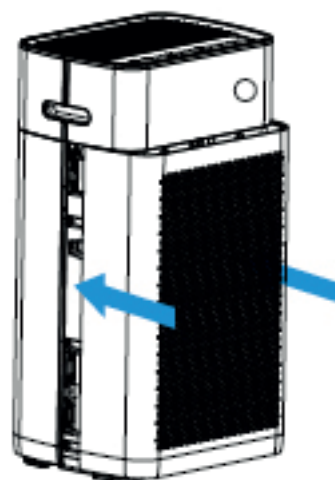
### 2. Installeer de samengestelde filter

Verwijder de beschermfolie van de filters. Plaats de filters terug in het apparaat. De lipjes onderaan en bovenaan moeten zichtbaar zijn aan de voorkant (de HEPA-zijde van de filter is zichtbaar).



### 3. Installeer de voorfilter

Installeer de voorfilter met de zwarte uitstulping naar buiten toe. Steek het onderste gedeelte in de onderste gleuf en duw de bovenkant (met de pijlen) voorzichtig in de bovenste gleuf.

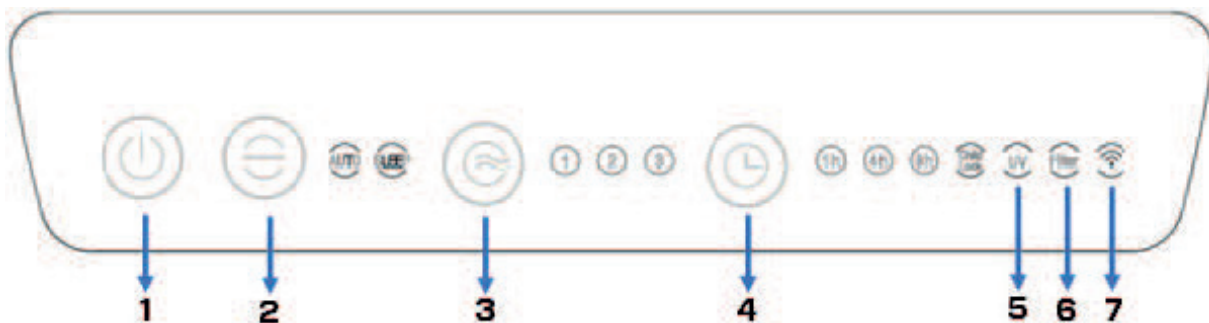


### 4. Installeer het paneel

Duw het voorpaneel parallel langs de boven- en onderrand in de in het blauw aangegeven richting, zie afbeelding. Wanneer u een klik hoort, is het paneel geïnstalleerd.

Het apparaat moet minstens 30 cm van muren en meubilair zijn verwijderd om een goede luchtstroom te verkrijgen. Zorg dat de in- en uitlaten voor de luchtstroom niet geblokkeerd zijn.

## Bedieningspaneel / bedieningsinstructies



### 1 Aan-uitknop

Door op de Aan-uitknop te drukken zet u het apparaat aan en uit.  
(De standaardinstelling wanneer u het apparaat aanzet is de automatische stand).

### 2 Stand

Druk op de knop Stand voor de functie Automatisch en Slaapstand.  
In de instelling **Auto** meet en regelt de geïntegreerde slimme sensor (Intelligent Particle Sensor™) automatisch de luchtkwaliteit. De ventilator, die door een sensor wordt aangestuurd, anticipeert automatisch in hoeverre de binnenlucht vervuild is door deeltjes van de grootte PM2.5 en stelt op basis daarvan een de 3 verschillende snelheden in.  
In de instelling **Slaapstand** brandt het controlelampje. Het controlelampje gaat samen met de digitale weergave na 5 seconden uit. Druk op een willekeurige toets om het controlelampje en de digitale weergave opnieuw te activeren. Het controlelampje en de digitale monitor gaan na 5 seconden weer uit. (De ventilator draait op het laagste toerental).

### 3 Snelheid

Door op de knop Snelheid te drukken, kunt u het toerental wijzigen. De 3 ventilatorsnelheden bieden een individuele luchtstroom. (1-2-3 betekent dat de windsnelheid toeneemt).

### 4 Timer

Druk op de knop Timer om de timer in te stellen op "automatisch uitschakelen" in een bereik tussen 1, 4 en 8 uur. Het geselecteerde aantal uren kan worden afgelezen op de weergave van de timer.

### 5 UV LED-lamp

De UV LED-lampen dient u na 8.000 bedrijfsuren te vervangen, of dat het controlelampje (UV) op het display uitgaat.

### 6 Filter

Als het controlelampje knippert, moet de samengestelde filter (HEPA en actieve-koolfilter) worden vervangen. De samengestelde filter heeft een levensduur van 2.000 uur.

### 7. WiFi

WiFi-indicator.

### 2 + 3 Kinderslot

Het kinderslot beschermt tegen ongewenst gebruik van het apparaat.  
Het kinderslot wordt in-/uitgeschakeld door gelijktijdig op de knoppen Stand en Snelheid te drukken. Het controlelampje van het kinderslot brandt.

### 3 + 4 Filterreset

Reset de timer voor de samengestelde filter door de knoppen Snelheid en Timer (ongeveer 3 seconden) ingedrukt te houden. Als het controlelampje uitgaat, is de timer met succes gereset.

## Digitale monitor

De digitale monitor aan de voorzijde van de luchtreiniger CA-509Pro Smart geeft automatisch en precies de huidige luchtkwaliteit aan door het aantal deeltjes met een grootte van PM2.5, de vochtigheid en de temperatuur binnenshuis te meten.



**Groen** - Goed: 0-80 ug/m<sup>3</sup>    **Blauw** - Matig: 80-150 ug/m<sup>3</sup>    **Rood** - Slecht: 150 ug/m<sup>3</sup> of meer

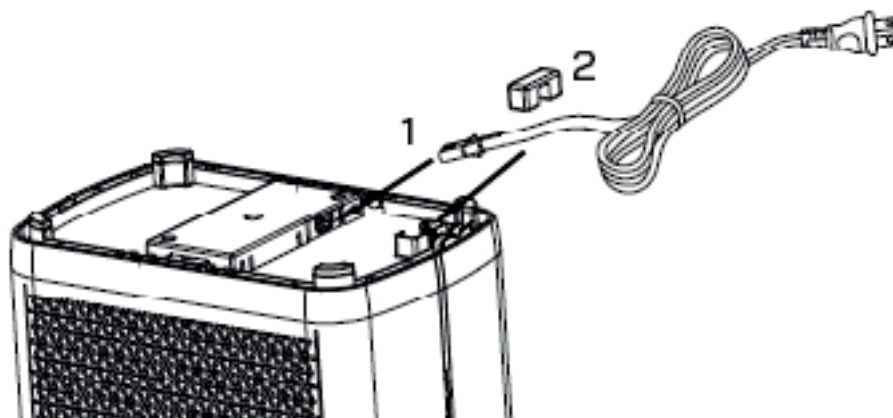
Fijnstof van 10 um (PM10) en kleiner 2,5 um (PM2.5) kan in de longen terechtkomen en behoort tot de top 10 van bedreigingen voor de menselijke gezondheid. Deze kleine deeltjes ontwikkelen zich door typische processen binnenshuis zoals koken, bakken, frituren, roken en verwarmen of worden ook in grote hoeveelheden in de binnenlucht gebracht door transport, industrie, bouw, biologisch materiaal (stuifmeel, bacteriën, mijten en virussen), geïmporteerde deeltjes uit andere bronnen zoals (vliegtuig)uitlaatgassen en vulkaanuitbarstingen.

Allergenen zoals stuifmeel en stof veroorzaken elk voorjaar ernstige en langdurige gezondheidsbedreigingen voor miljoenen mensen – de aantallen nemen voortdurend toe.

Meting van de relatieve luchtvochtigheid en temperatuur

Belangrijke aspecten voor een effectieve luchtzuivering: relatieve luchtvochtigheid tussen 45 - 60% en een omgevingstemperatuur van ongeveer 20 - 23 °C

## Netsnoer



1. Verwijder de kabeldoorvoer (afbeelding 2) aan de onderkant van het apparaat en steek het uiteinde van het netsnoer in het stopcontact aan de onderkant van het apparaat (zoals weergegeven in afbeelding 1).
2. Plaats de kabeldoorvoer weer terug aan de onderkant van het apparaat. (zoals weergegeven in afbeelding 2).

## Bediening met Clean Air Optima<sup>®</sup>-app



### Connectiviteit

**Compatibiliteit met smartphone en tablet:**  
iPhone, iPad en Android-toestellen

**Apparaat maakt verbinding via WiFi met app:**  
CleanAirOptima

**Let op:** de router moet zijn ingesteld op 2,4 GHz breedband. Als de router is ingesteld op 5,0 GHz, is het onmogelijk om een verbinding tot stand te brengen.

### WiFi-verbinding opzetten

1. Download en installeer de CleanAirOptima-app in de App Store of Google Play Store.
2. Maak een account aan en log in.
3. Steek de stekker van het apparaat in het stopcontact en zet het apparaat aan. De WiFi-indicator knippert.
4. De router moet zijn ingesteld op 2,4 GHz breedband. Als de router is ingesteld op 5,0 GHz, kan er geen verbinding tot stand worden gebracht.
5. Zorg ervoor dat Bluetooth is ingeschakeld op uw smartphone.
6. Zorg dat uw smartphone of tablet succesvol met uw WiFi-netwerk is verbonden.
7. Open de CleanAirOptima-app en klik op Apparaat toevoegen . Uw apparaat staat in de lijst en u kunt het selecteren. Zo niet, kies Auto Scan. Volg de instructies op het scherm om het apparaat met uw netwerk te verbinden.
8. Kies om het Clean Air Optima<sup>®</sup>-apparaat in de app toe te voegen, volg de instructies in de app.
9. Wanneer het apparaat is gekoppeld, brandt het WiFi-lampje  continu.
10. Nadat de configuratie is geslaagd, kunt u de Clean Air Optima<sup>®</sup>-app gebruiken om het apparaat te bedienen.

### Opmerking:

- Als uw standaardnetwerk is gewijzigd, de WiFi-verbinding resetten en stap 3 tot 8 uitvoeren in het gedeelte WiFi-verbinding instellen.
- Als u meerdere apparaten aan uw smartphone of tablet wilt koppelen, moet u dit de een na de ander doen.
- Zorg dat de afstand tussen uw smartphone of tablet en het apparaat minder dan 5 meter is en dat er geen obstakels zijn. Zorg er ook voor dat u in dezelfde kamer bent als het apparaat.

### WiFi-functie resetten:

- Reset de WiFi door de MODE en TIMER-knop gedurende 3 seconden in te drukken, het indicatorlampje van de WiFi gaat snel knipperen.



## Verbind apparaten met meerdere telefoons

Let op: eerst moet de andere persoon de Clean Air Optima®-app op zijn/ haar telefoon installeren en een nieuw account aanmaken.

### Delen het apparaat met beperkte toegang:

U kunt ervoor kiezen om 1 apparaat met meerdere personen te delen. Deze persoon heeft dan wel toegang, maar kan niet alle instellingen beheren.

Volg onderstaande instructies om het apparaat met meerdere personen te delen:

1. Ga naar het betreffende apparaat.
2. Ga naar het potlood of de drie stippen rechtsboven.
3. Selecteer 'Toestel delen.'
4. Selecteer 'Voeg delen toe.'
5. Selecteer de methode voor het delen van het toestel/ apparaat, b.v. via e-mail, whatsapp, sms etc. en ga verder.
- 6 Het apparaat verschijnt automatisch in de Clean Air Optima®-app van het account van de persoon waarmee het toestel gedeeld is.

### Deel toestel met volledige toegang:

Je kunt een of meerdere personen toevoegen aan je 'Home-beheer'.

Die persoon heeft dan toegang tot al je apparaten die al zijn gekoppeld en heeft volledige rechten en machtigingen. U blijft altijd de hoofdbeheerder.

Volg de onderstaande instructies om iemand toe te voegen aan je 'Home-beheer':

1. Open de Clean Air Optima®-app en ga naar 'Profiel'.
2. Selecteer vervolgens 'Home-beheer'.
3. Selecteer 'Families toevoegen'.
4. Selecteer het desbetreffende 'Huis' en 'Voeg leden toe'.
5. Selecteer de methode voor het delen van het 'Huis' b.v. via email, whatsapp, sms etc. en ga verder.
- 6 Het bijbehorende 'Huis' verschijnt automatisch in de Clean Air Optima®-app van de persoon met wie jij je 'Huis' hebt gedeeld.
5. Op het andere account:  
Open de Clean Air Optima®-app en ga naar het startscherm. Ga naar linksboven en selecteer het 'Huis'.

## Afstandsbediening

### AAN/UIT

Door op de Aan-uitknop te drukken zet u het apparaat aan en uit. (De standaardinstelling wanneer u het apparaat aanzet is de automatische stand).

### Snelheid

Door op de knop Snelheid te drukken, kunt u het toerental wijzigen. De 3 ventilatorsnelheden bieden een individuele luchtstroom.

### Timer

Druk op de knop Timer om de timer in te stellen op “automatisch uitschakelen” in een bereik tussen 1, 4 en 8 uur.

### Kinderslot

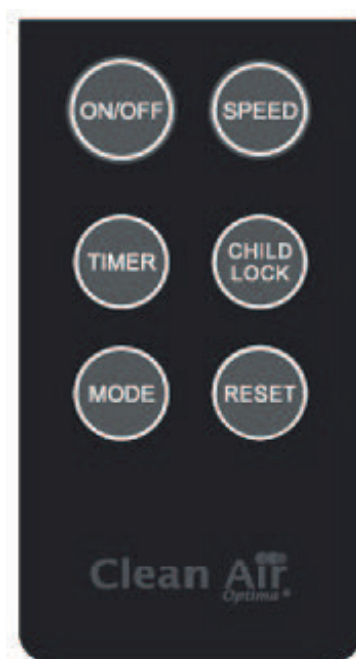
Het kinderslot wordt in-/uitgeschakeld door de knop Kinderslot ongeveer 3 seconden ingedrukt te houden.

### Stand

Druk op de knop Stand om over te schakelen tussen Stand en Slaapfunctie.

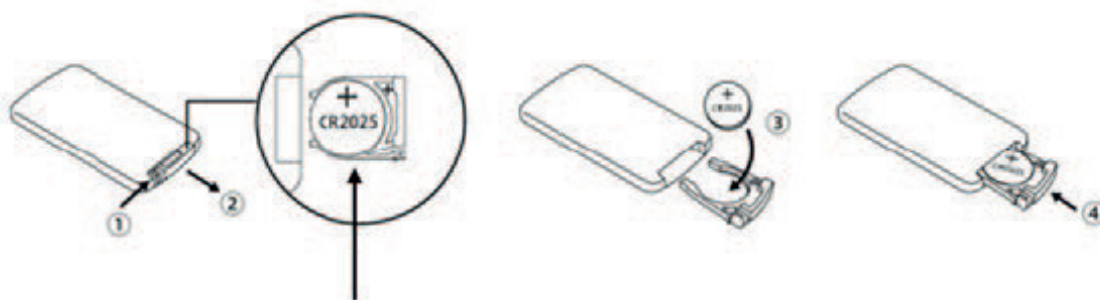
### Reset

Reset de timer voor de samengestelde filter door de knop Reset ongeveer 3 seconden ingedrukt te houden.



## Batterij vervangen

1. Open de batterijhouder aan de achterkant van de afstandsbediening door de vergrendelingslip met uw duim naar rechts te drukken (stap 1) en vervolgens de batterijhouder eruit te trekken (stap 2).
2. Verwijder de oude batterij en plaats de nieuwe batterij (type CR2025.3V), let daarbij op de plus- en mintekens (stap 3).
3. Plaats een nieuwe batterij (type CR2025.3V).
4. Duw het batterijhouder terug in de afstandsbediening (stap 4).



Batterij (type CR2025)

## Voorzorgsmaatregelen

1. Als u de afstandsbediening lange tijd niet gebruikt, haal de batterij er dan uit om te voorkomen dat deze lekt en de afstandsbediening beschadigd raakt.
2. Bedien de afstandsbediening binnen het bereik van de luchtreiniger
3. Als de afstandsbediening niet goed werkt, verwijder dan de batterij en plaats deze na 30 seconden terug. Als de afstandsbediening nog steeds niet goed werkt, vervang dan de batterij.

## Onderhoud

### De buitenkant van de luchtreiniger schoonmaken

1. Schakel het apparaat uit en trek de stekker uit het stopcontact.
2. Gebruik een zachte en vochtige doek om het apparaat te reinigen van stof en vuil.
3. Zorg ervoor dat er **geen water** in het apparaat terechtkomt.

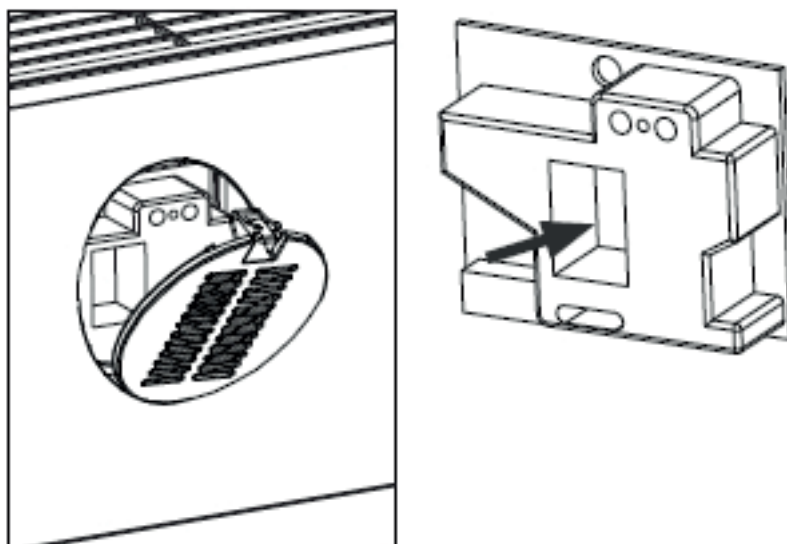
### De Intelligent Particle Sensor™ schoonmaken

#### Maak de luchtkwaliteitssensor om de 6 tot 8 weken schoon.

Wanneer de waarde van PM 2,5 fout wordt weergegeven, kan de sensorlens met een wattenstaafje worden schoongemaakt.

1. Neem het deksel van de sensor.
2. Maak de sensorlens schoon met een wattenstaafje en water zoals aangegeven door de pijl. Droog de lens vervolgens met een schoon wattenstaafje.
3. Plaats het deksel van de sensor terug.
4. Veeg de sensorlens niet schoon met alcohol of een ander organisch oplosmiddel.

**Aandacht!** Als de luchtvochtigheid in de kamer zeer hoog is, bestaat het risico van condensatie op de luchtkwaliteitssensor. Dit kan ertoe leiden dat de indicator voor de luchtkwaliteit (digitale weergave - deeltjesmeting) aangeeft dat de luchtkwaliteit slecht is, terwijl dit niet het geval zou mogen zijn. In dat geval raden wij u aan om de luchtkwaliteitssensor schoon te maken of de luchtreiniger niet in de automatische stand te gebruiken.



## Filters vervangen

De **Clean Air Optima intelligente luchtreiniger CA-509Pro Smart** is uitgerust met een bewakingsmechanisme voor de levensduur van de filters, dat aangeeft dat de filters na 2.000 werkuren moeten worden vervangen. Om aan te geven dat de samengestelde filters (**HEPA + actieve-koolfilter**) moeten worden vervangen, begint het controlelampje van de luchtreiniger te knipperen. Reset de timer voor de samengestelde filter door de knoppen Snelheid en Timer (ongeveer 3 seconden) ingedrukt te houden. Als het controlelampje uitgaat, is de timer met succes gereset.

**Afhankelijk van het gebruik hebben de samengestelde filters (HEPA + actieve-koolfilter) een levensduur van ca. 6-8 maanden.**

### Filters schoonmaken

Het beste effect wordt bereikt door de filters één keer per maand te reinigen. Als de binnenlucht extreem vervuild is, kan meer reiniging nodig zijn.



Maak de **voorfilter** en de **HEPA-filter** schoon met een borstel of uw stofzuiger. Op die manier kunnen grotere stofdeeltjes zoals pluizen, haar en huidschilfers van huisdieren uit de filter worden verwijderd.

**Waarschuwing!** Maak de samengestelde filters (**HEPA + actieve-koolfilter**) nooit nat of spoel ze nooit uit met water.

### Tekenen die op versleten filters wijzen

Verhoogd geluid, verminderde luchtstroom, verstopte filters, toenemende aanwezigheid van geuren. De filter moet worden vervangen door een nieuwe wanneer de HEPA-filter van kleur verandert van wit naar grijs of zwart. Als de HEPA-filter wit blijft, hoeft de filter niet te worden vervangen.

### Filters bestellen:

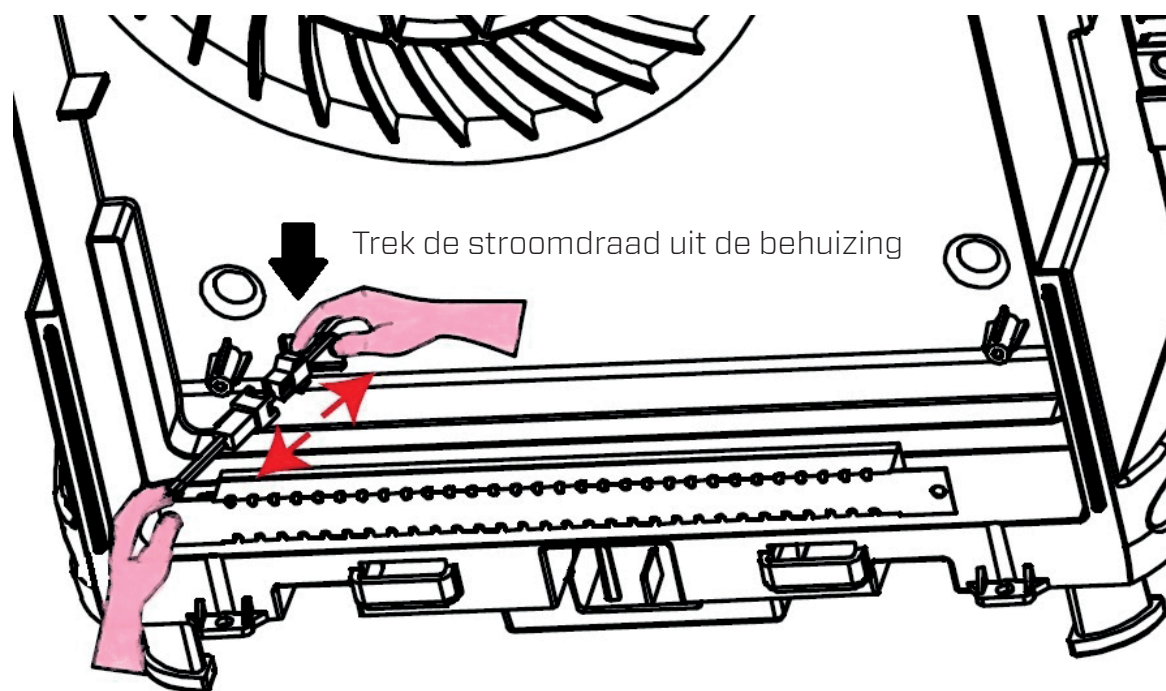
Neem contact op met de klantendienst van Clean Air Optima op het nummer + 31 (0) 742670145 of bezoek onze webshop: <https://www.cleanairoptima.com>

## UV LED-lampen vervangen (aan voor- en achterkant van het apparaat)

Beide UV LED-lampen van de Clean Air Optima CA-509Pro Smart luchtreiniger hebben een levensduur van 8.000 bedrijfsuren = 1 jaar 24/7 bedrijf. De UV LED-lampen dient u na 8.000 bedrijfsuren te vervangen, of dat het controlelampje (UV) op het display uitgaat.



1. Schakel het apparaat uit en trek de stekker uit het stopcontact.
2. Druk met beide vingers op de ontgrendelingsknoppen en verwijder de voor- en achterkap.
3. Verwijder de filters (aan de voor- en achterkant).



4. Gebruik een Philips kop schroevendraaier en verwijder de schroeven uit de metalen beschermplaat van de beide UV LED-lampen (aan de voor- en achterkant).
5. Trek de stroomdraad uit de behuizing naar u toe totdat u de stekkerverbindingen ziet. Ontgrendel de stekkerverbindingen, zie afbeelding.
6. U kunt nu de nieuwe UV LED-lampen installeren. Na het installeren van de UV LED-lampen zal het controlelampje (UV) weer gaan branden.

### UV LED-lampen bestellen:

Neem contact op met de klantendienst van Clean Air Optima op het nummer + 31 (0) 742670145 of bezoek onze webshop: <https://www.cleanairoptima.com>

## Problemen oplossen

Onderstaande gids begeleidt u bij het oplossen van problemen die u kunt ondervinden bij het gebruik van de **Clean Air Optima intelligente luchtreiniger CA-509Pro Smart**.

Probleem	Mogelijke oorzaak	Oplossing
Apparaat kan niet worden ingeschakeld	Het netsnoer kan niet correct worden aangesloten	Steek de netstekker correct in het stopcontact
	Het netsnoer is kapot	Vervang het netsnoer
	Het voor- of achterpaneel is niet correct geïnstalleerd	Installeer het paneel correct. Zie hoofdstuk: Hoe gebruiken
De luchtuitlaat ruikt vies	De filter vangt te veel geur of stof op	Vervang de samengestelde filters
	De levensduur van de filters is verstreken	Vervang de samengestelde filters
Slechte reinigende werking	Controleer of de luchtvochtigheid in de kamer te droog is	Verhoog de luchtvochtigheid
	Het apparaat bevindt zich in een ongeventileerde ruimte of is omgeven door obstakels	Verwijder de obstakels
Er blaast geen lucht uit het apparaat	De luchtinlaat of -uitlaat wordt geblokkeerd	Verwijder de obstakels
De afstandsbediening werkt niet	Controleer of de batterij is geplaatst	Plaats de batterij
	Controleer of de batterij correct is geplaatst	Plaats de batterij correct
	Controleer of de batterij leeg is	Vervang de batterij
	Controleer of de afstand van de afstandsbediening groter is dan het bereik	Het bereik is 5 meter van de voorzijde van het apparaat
<b>Bediening met de Clean Air Optima® App werkt niet</b>	Smartphone of tablet is niet met het WiFi-netwerk verbonden Het apparaat heeft geen verbinding met het netwerk	Reset het apparaat door de STAND knop en TIMER knop 3 seconden ingedrukt te houden. De WiFi- indicator knippert. Volg daarna stap 4 t/m 8 uit het hoofdstuk <b>Bediening met Clean Air Optima® App</b>

## WAARSCHUWING!

Als de hierboven aanbevolen oplossingen niet werken, neem dan contact op met de technische ondersteuning van Clean Air Optima op het telefoonnummer voor uw regio. Probeer het apparaat niet te demonteren, opnieuw in elkaar te zetten of te repareren, aangezien dit de garantie kan doen vervallen.

## Specificaties

Model	CA-509Pro Smart
Voor kamers tot	90 m <sup>2</sup> / 225 m <sup>3</sup> / 970 ft <sup>2</sup>
Nominale spanning	220 V - 240 V, 50 Hz/60 Hz
Nominaal vermogen	Max. 53 W
Ventilatorcapaciteit (CADR)	400 m <sup>3</sup> /h (vaste deeltjes) - 100 m <sup>3</sup> /h (formaldehyde)
Filterprestaties	99,97%
Sterilisatiegraad	99,9%
Negatief ion	2.000.000 ionen/cm <sup>2</sup>
Geluidsniveau	Stille ventilator < 20 dB(A) Laag 1 / 35 dB(A) Medium 2 / 55 dB(A) Turbo 3
Afmetingen	560 x 320 x 210 mm
Gewicht	7,5 kg
Kleur	Fel wit
Voldoet aan de EU-regelgeving	CE / WEEE / RoHS

**Vraag uw verkoper of uw gemeente om actuele informatie over de verwijdering van de verpakking en van het apparaat.**



## Service

### Garantiecertificaat voor de Clean Air Optima intelligente luchtreiniger CA-509Pro Smart.

Aankoopdatum: .....

Naam van de klant: .....

Adres: .....

Telefoon: .....

E-mail: .....

Naam van de verkoper: .....

Adres: .....

1. Gelieve dit garantiecertificaat volledig in te vullen. Verzond het met de factuur en het apparaat, voldoende gefrankeerd en in de originele verpakkingsdoos, naar uw verkoper. Zorg dat u ook de retourzending van het pakket voldoende frankeert.
2. Gelieve een korte beschrijving bij te voegen van de schade, fout of storing en de omstandigheden waarin de problemen zich voordeden.

De **Clean Air Optima intelligente luchtreiniger CA-509Pro Smart** ondergaat strenge testprocedures voordat het apparaat de fabriek verlaat. Indien het product binnen de 2 jaar na aankoopdatum wegens fabricagefouten niet volgens de specificaties functioneert, heeft de koper recht op gratis herstelling of vervanging van onderdelen op voorlegging van deze garantie (op voorwaarde dat de storing of beschadiging van het apparaat en/of onderdelen onder normale bedrijfsomstandigheden heeft plaatsgevonden). Wat wordt gedekt: Alle onderdelen met materiaal- of fabricagefouten. Hoe lang: gedurende twee jaar vanaf de aankoopdatum. Wat zullen we doen: Defecte onderdelen repareren of vervangen. Uitsluitingen: Gewone vervangfilters.

#### Overige voorwaarden

De bepalingen van deze garantie vervangen elke andere schriftelijke of mondelinge, uitdrukkelijke of impliciete garantie, met inbegrip van elke garantie van verkoopbaarheid of geschiktheid voor een bepaald doel. De maximale aansprakelijkheid van de fabrikant bedraagt niet meer dan de aankoopprijs die u daadwerkelijk voor het product heeft betaald. De fabrikant is in geen geval aansprakelijk voor bijzondere schade, incidentele schade, gevolgschade of indirecte schade. Deze garantie dekt geen defecten die het gevolg zijn van onjuist of onredelijk gebruik of onderhoud, foutieve montage, ongeval, natuurrampen, onjuiste verpakking of ongeoorloofde manipulatie, veranderingen of wijzigingen zoals uitsluitend door ons bepaald. Deze garantie vervalt als het etiket met het serienummer is verwijderd of beschadigd.

# Bedankt om dit te lezen!



Deel uw feedback over de Clean Air Optima intelligente luchtreiniger CA-509Pro Smart op: [www.cleanairoptima.com](http://www.cleanairoptima.com)



Ga voor veelgestelde vragen over de CA-509Pro Smart naar: [www.cleanairoptima.com](http://www.cleanairoptima.com) en zoek naar de CA-509Pro Smart



Download de pdf-gebruiksaanwijzing op: [www.cleanairoptima.com/info/manuals](http://www.cleanairoptima.com/info/manuals)



Bekijk alle Clean Air Optima-productvideo's op: [www.youtube.com](http://www.youtube.com)

**Clean Air Optima International B.V.** | Rientjesoven 26 | 7621 HG Borne  
Nederland | Telefoon: +31 (0) 74 - 2670145

**Clean Air Optima Germany GmbH** | Enschedestraße 14 | 48529 Nordhorn  
Duitsland | Telefoon: +49 (0) 5921 879-121

**E-mail:** [info@cleanairoptima.com](mailto:info@cleanairoptima.com)

**Internet:** [www.cleanairoptima.com](http://www.cleanairoptima.com)

## Français

### **Merci d'avoir acheté le purificateur d'air Clean Air Optima Intelligent Air Purifier CA-509Pro Smart.**

Grâce à cet appareil efficace, vous bénéficierez d'un air intérieur sain durant de nombreuses années.

Assurez-vous que toutes les précautions de sécurité sont respectées lors de l'utilisation de cet appareil électrique, et ce, afin de garantir le bon fonctionnement de celui-ci. Ces instructions décrivent les consignes de sécurité à respecter lors du fonctionnement de l'appareil. Elles sont destinées à prévenir les blessures et à éviter d'endommager l'appareil.

### **Avant d'utiliser votre nouveau purificateur d'air Clean Air Optima Intelligent Air Purifier CA-509Pro Smart.**

Retirez tout d'abord la garniture d'étanchéité des filtres, voir à la page 5. Mode d'emploi.

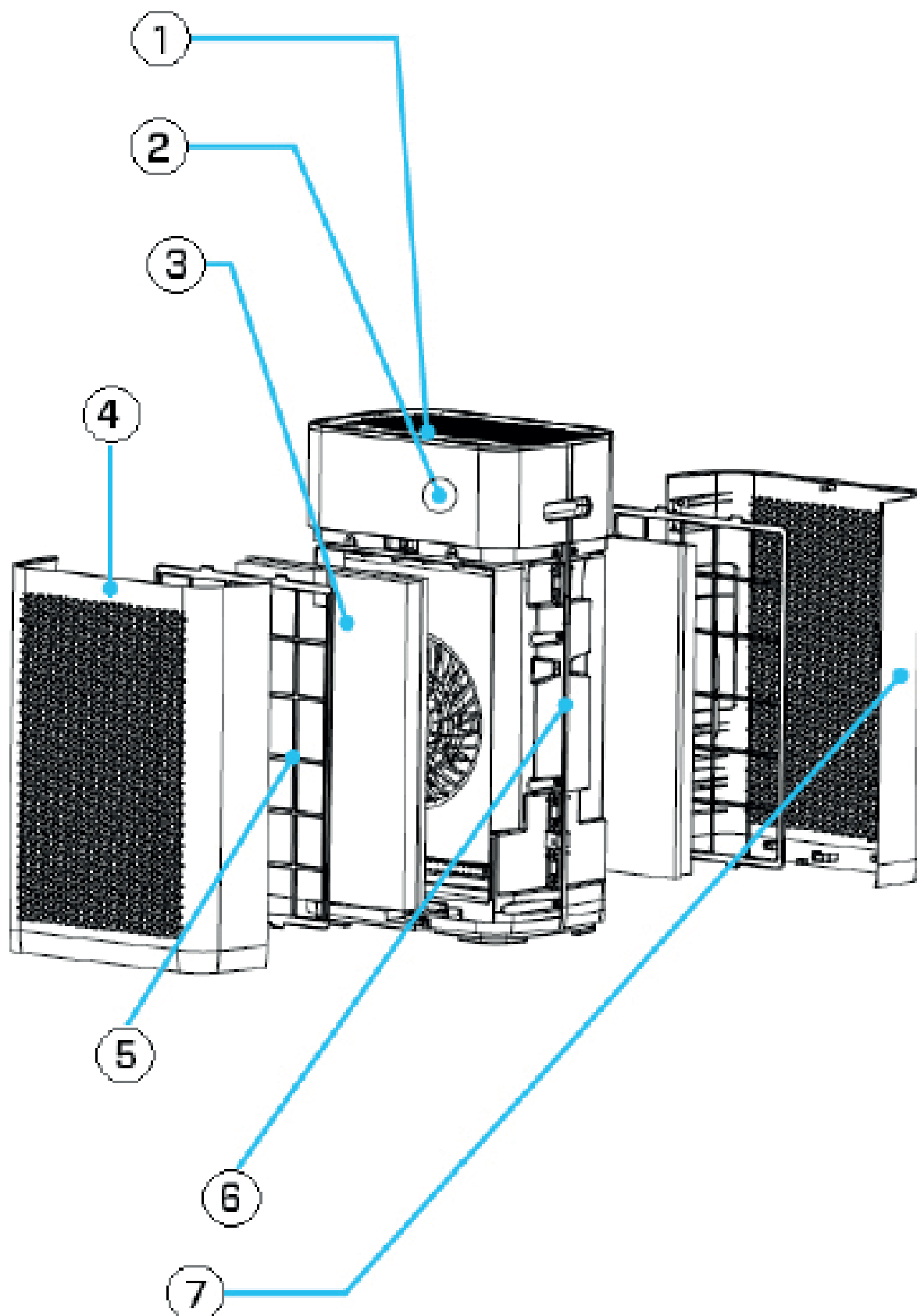


### **Description de l'appareil**

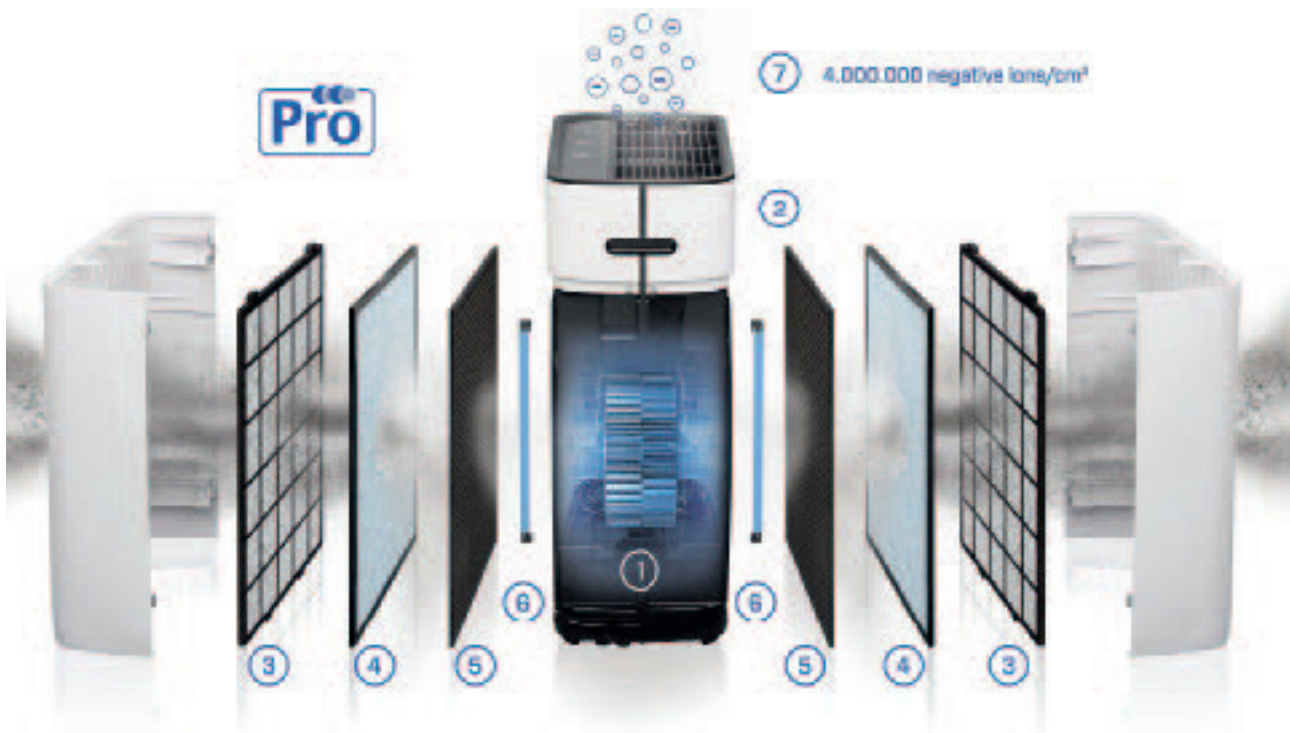
Les principaux composants de l'appareil sont les suivants :

1. Panneau de contrôle
2. Moniteur numérique de la qualité de l'air intérieur
  - Mesure des dimensions des particules (PM2.5)
  - Humidité relative de l'air en %
  - Température en °C
3. Filtre composite : Filtre TRUE HEPA à charbon actif
4. Panneau avant
5. Préfiltre
6. Élément principal du purificateur d'air
7. Panneau arrière

## CA-509Pro Smart/ Unité principale



**Dual Airflowsystem - Dual Filtersystem - Dual Ionizer  
pour une double purification d'air !**



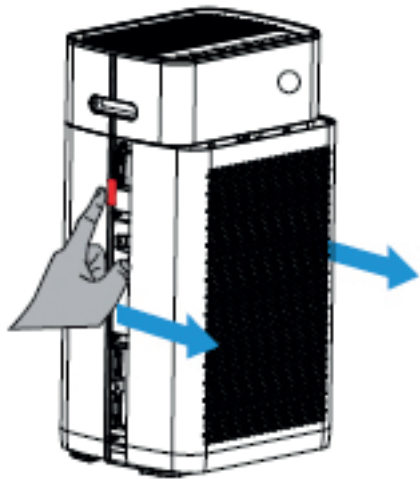
1. Double ventilateur
2. Intelligent Particle Sensor™
3. Préfiltre
4. Filtre nano-argent True HEPA
5. Filtre à charbon actif
6. Lampe UV LED
7. Double ioniseur

## Avertissements de sécurité

Cet appareil ne peut être utilisé que conformément aux instructions de sécurité indiquées dans le présent document. Veillez à adopter les mesures suivantes afin de minimiser les risques de blessures corporelles dues par exemple à des chocs électriques ou un incendie.

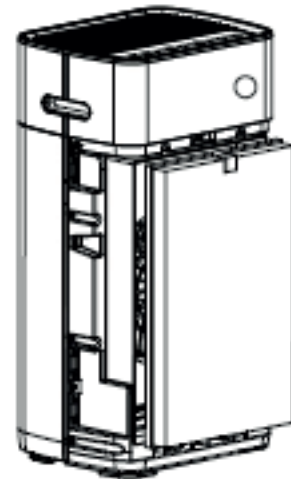
1. Uniquement pour utilisation intérieure. N'utilisez pas et n'entrez pas l'appareil à l'extérieur.
2. L'appareil n'est pas destiné à être utilisé par des enfants ou des personnes ayant des capacités physiques, sensorielles ou mentales réduites, sauf s'ils sont surveillés par une personne responsable de leur sécurité.
3. N'utilisez pas l'appareil si des dommages visibles sont présents sur le cordon électrique ou l'appareil lui-même. Ne réparez pas l'appareil vous-même en cas de dommages. Ne déplacez jamais l'appareil en tirant sur le cordon d'alimentation. Si le cordon d'alimentation est endommagé, il doit être remplacé par un technicien autorisé, et ce, afin d'éviter tout choc électrique ou incendie.
4. Les réparations ne peuvent être effectuées que par du personnel de service autorisé. N'essayez pas de réparer l'appareil vous-même, et ce, afin d'éviter tout risque d'électrocution ou d'incendie.
5. Débranchez toujours la fiche du cordon d'alimentation lorsque l'appareil n'est pas utilisé.
6. Utilisez uniquement les cordons d'alimentation fournis.
7. Débranchez l'appareil lorsque vous ne l'utilisez pas ou lorsque vous nettoyez des éléments internes ou externes de celui-ci.
8. Pour une utilisation en toute sécurité, placez l'appareil dans une position horizontale et stable. Ne bougez pas l'appareil en cours d'utilisation.
9. N'utilisez pas l'appareil à l'intérieur de locaux où sont entreposés des liquides ou des gaz inflammables, à proximité de sources de chaleur ou dans des pièces particulièrement humides comme des salles de bains.
10. N'insérez jamais le moindre objet à l'intérieur du caisson de l'appareil, et ce, afin d'éviter une panne.
11. Ne recouvrez jamais les grilles d'entrée et de sortie d'air.
12. Ne démontez ni ne remplacez jamais les éléments internes de l'appareil.
13. Lorsque l'appareil fonctionne, ne touchez pas les grilles d'entrée et de sortie d'air, et n'insérez pas la poignée ou tout autre objet dans la sortie d'air afin d'éviter de vous blesser ou d'endommager le purificateur d'air.
14. Afin que les grilles d'entrée et de sortie du purificateur d'air puissent fonctionner sans entraves, ne placez pas d'objets au-dessus ni à côté du couvercle frontal du purificateur d'air.
15. Ne déposez pas d'objets lourds sur l'appareil.
16. Évitez les endroits exposés à la lumière directe du soleil. Il y a en effet un risque de décoloration de l'appareil.
17. N'immergez jamais l'appareil dans l'eau ou dans d'autres liquides.
18. Ne touchez pas le cordon d'alimentation avec les mains mouillées.
19. Nettoyez régulièrement le préfiltre ; si le préfiltre est saturé de poussières, son effet purifiant sera de mauvaise qualité. La consommation d'énergie augmentera et une panne peut survenir.
20. La température de fonctionnement normal de l'appareil est comprise entre 0 °C et 40 °C.
21. Utilisez, entretenez et nettoyez l'appareil comme décrit dans ce manuel.

## Mode d'emploi (Installation du filtre à l'avant et à l'arrière)



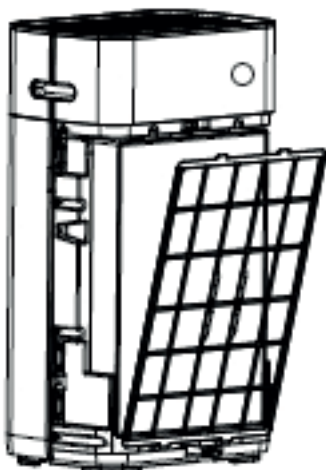
### 1. Démontez le panneau.

Appuyez avec deux doigts sur l'icône en rouge présente sur les côtés gauche et droit du purificateur d'air, voir la figure. Tirez le panneau vers vous comme indiqué par les flèches bleues.



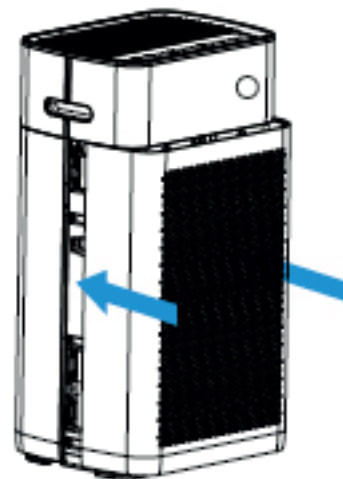
### 2. Installez le filtre composite.

Retirez la garniture d'étanchéité des filtres. Replacez les filtres dans l'appareil. Le robinet présent sur le fond et le dessus doit être visible à l'avant (côté HEPA du filtre visible).



### 3. Installez le préfiltre.

Installez le préfiltre avec le renflement noir dirigé vers l'extérieur. Placez la partie inférieure dans la fente du bas et poussez doucement la partie supérieure (avec les flèches) dans la fente du haut.

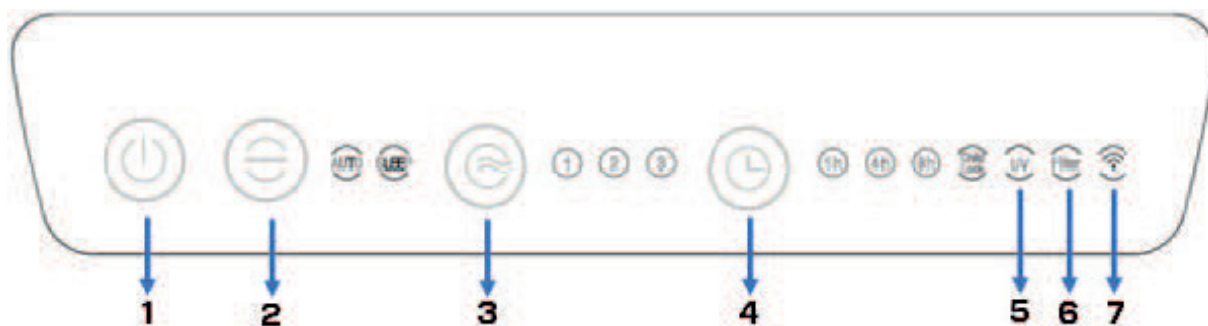


### 4. Installez le panneau.

Poussez le panneau avant parallèlement le long des bords supérieur et inférieur dans la direction indiquée en bleu, voir la figure. Lorsque vous entendez un clic, cela signifie que le panneau est installé.

L'appareil doit être positionné à au moins 30 cm des murs et des meubles afin de garantir une circulation correcte de l'air. Assurez-vous que les entrées et les sorties d'air ne sont pas obstruées.

## Panneau de contrôle / Mode d'emploi



### 1 Bouton d'alimentation

Appuyez sur le bouton d'alimentation pour allumer et éteindre l'appareil.  
(Le mode Auto est activé par défaut lors de la mise sous tension de l'appareil.)

### 2 Mode

Appuyez sur le bouton Mode pour activer les fonctions Auto et Veille.  
Dans le cas du réglage **Auto**, le capteur intelligent intégré (Intelligent Particle Sensor™) mesure et régule automatiquement la qualité de l'air. Le ventilateur, commandé par un capteur, anticipe automatiquement le degré de pollution de l'air intérieur en fonction de la taille des particules PM2.5 et sélectionne en conséquence l'une des 3 vitesses différentes.  
En mode **Veille**, le témoin lumineux est allumé. Le témoin lumineux, y compris l'affichage numérique, s'éteint au bout de 5 secondes. Appuyez sur n'importe quelle touche pour réactiver le témoin lumineux et l'affichage numérique. Le témoin lumineux et le moniteur numérique s'éteignent à nouveau après 5 secondes. (Le ventilateur fonctionne à la vitesse minimale.)

### 3 Vitesse

Vous pouvez modifier le niveau de vitesse en appuyant sur le bouton Vitesse. Les 3 vitesses de ventilation fournissent un débit d'air spécifique. (1-2-3 signifie que la vitesse de ventilation augmente.)

### 4 Minuterie

Appuyez sur le bouton Minuterie afin de régler la minuterie sur un arrêt automatique de l'appareil dans une plage comprise entre 1, 4 et 8 heures. Le nombre d'heures sélectionné s'affiche sur l'écran de la minuterie.

### 5 Lampe UV LED

Les lampes UV LED doivent être remplacées après 8000 heures de fonctionnement, ou lorsque le témoin lumineux (UV) de l'écran s'éteint.

### 6 Filtre

Si le témoin lumineux clignote, le filtre composite (filtre HEPA et à charbon actif) doit être remplacé. Le filtre composite a une durée de vie de 2.000 heures.

### 7. WiFi

Témoin WiFi.

### 2 + 3 Sécurité enfant

La sécurité enfant est une protection contre toute utilisation non souhaitée de l'appareil. Pour activer ou désactiver la sécurité enfant, appuyez simultanément sur les boutons Mode et Vitesse. Le témoin lumineux de la sécurité enfant s'allume.

### 3 + 4 Réinitialisation du filtre

Réinitialisez la minuterie du filtre composite en appuyant sur les boutons Vitesse et Minuterie (pendant environ 3 secondes) et en maintenant ces boutons enfoncés. Si le témoin lumineux s'éteint, cela signifie que la minuterie a été réinitialisée avec succès.

## Moniteur numérique

Le moniteur numérique situé à l'avant du purificateur d'air CA-509Pro Smart indique de manière automatique et avec précision la qualité actuelle de l'air, grâce à la mesure de la taille des particules PM2.5, de l'humidité intérieure et de la température.



**Vert** - Bonne :  
0-80 µg/m<sup>3</sup>

**Bleu** - Moyenne :  
80-150 µg/m<sup>3</sup>

**Rouge** - Mauvaise :  
150 µg/m<sup>3</sup> ou plus

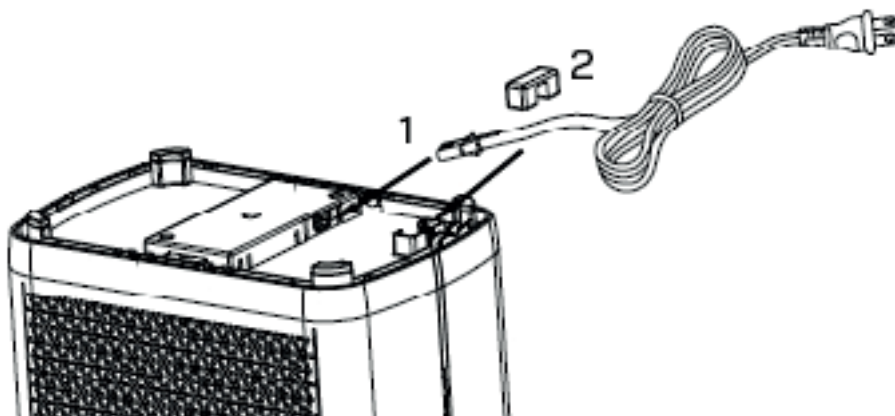
Les particules de 10 µm (PM10) et de moins de 2,5 µm (PM2.5) peuvent pénétrer dans les poumons et font partie des 10 principales menaces pour la santé humaine. Ces petites particules sont générées par les activités intérieures classiques (cuisson, friture, fumée de cigarette, chauffage, etc.) ou sont véhiculées en grande quantité dans l'air intérieur en raison du transport, de l'industrie, de la construction, des matières biologiques (pollen, bactéries, acariens et virus), ou encore sont importées des gaz de combustion (des avions) et des éruptions volcaniques.

Les allergènes tels que le pollen et la poussière représentent chaque printemps des menaces graves et à long terme pour la santé de millions de personnes, et par ailleurs leur nombre ne cesse d'augmenter.

Mesure de l'humidité relative et de la température

Conditions importantes pour une purification efficace de l'air : humidité relative comprise entre 45 et 60 %, et température ambiante d'environ 20 à 23°C

## Cordon d'alimentation



1. Retirez la colle du cordon d'alimentation dans le bas de l'appareil et insérez l'extrémité du cordon d'alimentation dans la prise située au bas de l'appareil (comme illustré à la figure 1).
2. Insérez le câble d'alimentation dans la fente pour câble et fixez-le au moyen de l'adhésif pour câble fourni (comme illustré à la figure 2).

## Fonctionnement avec l'application Clean Air Optima<sup>®</sup>



### Connectivité

**Compatibilité smartphone et tablette :**  
Appareils iPhone, iPad et Android

**L'appareil se connecte par le wifi à l'application :**  
CleanAirOptima

**Attention :** Le routeur doit être réglé sur la bande de fréquence de 2,4 GHz. Si le routeur est réglé sur 5,0 GHz, il est impossible d'établir une connexion.

### Configurer la connexion wifi

1. Téléchargez et installez l'application « CleanAirOptima » dans l'App Store ou le Google Play Store.
2. Créez un compte et connectez-vous.
3. Branchez la fiche de l'appareil dans la prise électrique et mettez-le sous tension. L'indicateur WiFi clignote.
4. Le routeur doit être réglé sur la bande de fréquence de 2,4 GHz. Si le routeur est réglé sur 5,0 GHz, il est impossible d'établir une connexion.
5. Assurez-vous que le Bluetooth est activé sur votre smartphone.
6. Assurez-vous que votre smartphone ou tablette est correctement connecté à votre réseau wifi.
7. Ouvrez l'application « CleanAirOptima » et cliquez sur « Ajouter un appareil » . Votre appareil est répertorié dans la liste et vous pouvez le sélectionner. Sinon, choisissez 'Auto Scan'. Suivez les instructions à l'écran pour connecter l'appareil à votre réseau.
8. Choisissez l'option « Ajouter l'appareil Clean Air Optima<sup>®</sup> » dans l'application, suivez les instructions de l'application.
9. Lorsque l'appareil est couplé, le témoin wifi reste  allumé en permanence.
10. Une fois la configuration réussie, vous pouvez utiliser l'application Clean Air Optima<sup>®</sup> pour faire fonctionner l'appareil.

### Remarque :

- Si votre réseau par défaut a changé, réinitialisez la connexion wifi, suivez les étapes 3 à 8 de la section « Configurer la connexion wifi ».
- Si vous souhaitez coupler plusieurs appareils à votre smartphone ou tablette, vous devez les appairer l'un après l'autre.
- Assurez-vous que la distance entre votre smartphone ou tablette et l'appareil est inférieure à 5 mètres et qu'il n'y a pas d'obstacles entre eux. Assurez-vous également d'être dans la même pièce que l'appareil..

### Pour réinitialiser la fonction wifi :

- Réinitialisez le wifi en appuyant sur le bouton 'Mode' et 'Minuterie' pendant 3 secondes jusqu'à ce que le témoin du wifi clignote rapidement.



## Fonctionnement avec l'application Clean Air Optima<sup>®</sup>

### Connectivité

#### Compatibilité smartphone et tablette :



Appareils iPhone, iPad et Android

#### L'appareil se connecte par le wifi à l'application :

CleanAirOptima

**Attention :** Le routeur doit être réglé sur la bande de fréquence de 2,4 GHz. Si le routeur est réglé sur 5,0 GHz, il est impossible d'établir une connexion.

### Configurer la connexion wifi

1. Téléchargez et installez l'application « CleanAirOptima » dans l'App Store ou le Google Play Store.
2. Créez un compte et connectez-vous.
3. Branchez la fiche de l'appareil dans la prise électrique et mettez-le sous tension. L'indicateur WiFi clignote.
4. Le routeur doit être réglé sur la bande de fréquence de 2,4 GHz. Si le routeur est réglé sur 5,0 GHz, il est impossible d'établir une connexion.
5. Assurez-vous que le Bluetooth est activé sur votre smartphone.
6. Assurez-vous que votre smartphone ou tablette est correctement connecté à votre réseau wifi.
7. Ouvrez l'application « CleanAirOptima » et cliquez sur « Ajouter un appareil » . Votre appareil est répertorié dans la liste et vous pouvez le sélectionner. Sinon, choisissez 'Auto Scan'. Suivez les instructions à l'écran pour connecter l'appareil à votre réseau.
8. Choisissez l'option « Ajouter l'appareil Clean Air Optima<sup>®</sup> » dans l'application, suivez les instructions de l'application.
9. Lorsque l'appareil est couplé, le témoin wifi reste  allumé en permanence.
10. Une fois la configuration réussie, vous pouvez utiliser l'application Clean Air Optima<sup>®</sup> pour faire fonctionner l'appareil.

#### Remarque :

- Si votre réseau par défaut a changé, réinitialisez la connexion wifi, suivez les étapes 3 à 8 de la section « Configurer la connexion wifi ».
- Si vous souhaitez coupler plusieurs appareils à votre smartphone ou tablette, vous devez les appairer l'un après l'autre.
- Assurez-vous que la distance entre votre smartphone ou tablette et l'appareil est inférieure à 5 mètres et qu'il n'y a pas d'obstacles entre eux. Assurez-vous également d'être dans la même pièce que l'appareil..

#### Pour réinitialiser la fonction wifi :

- Réinitialisez le wifi en appuyant sur le bouton 'Mode' et 'Minuterie' pendant 3 secondes jusqu'à ce que le témoin du wifi clignote rapidement.



## Télécommande

### MARCHE/ARRÊT

Appuyez sur le bouton d'alimentation pour allumer et éteindre l'appareil. (Le mode Auto est activé par défaut lors de la mise sous tension de l'appareil.)

### Vitesse

Vous pouvez modifier le niveau de vitesse en appuyant sur le bouton Vitesse. Les 3 vitesses de ventilation fournissent un débit d'air spécifique.

### Minuterie

Appuyez sur le bouton Minuterie afin de régler la minuterie sur un arrêt automatique de l'appareil dans une plage comprise entre 1, 4 et 8 heures.

### Sécurité enfant

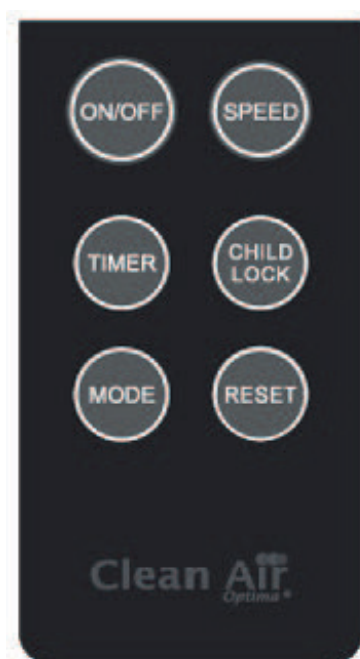
Appuyez sur le bouton Sécurité enfant pendant environ 3 secondes pour activer ou désactiver la sécurité enfant.

### Mode

Appuyez sur le bouton Mode pour basculer entre les fonctions Mode et Veille.

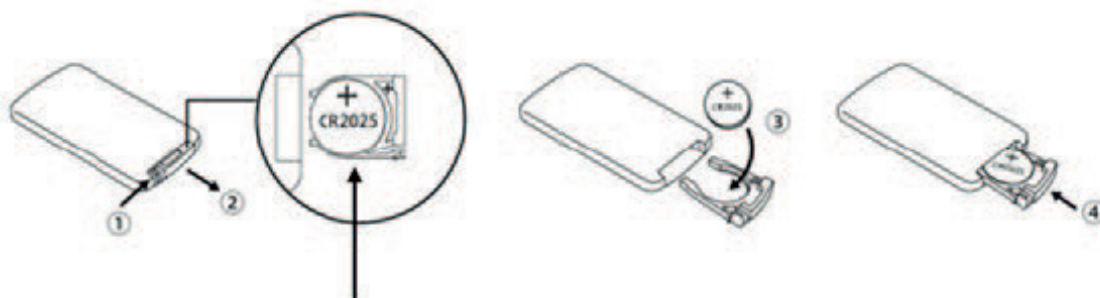
### Réinitialisation

Réinitialisez la minuterie du filtre composite en appuyant sur le bouton Réinitialisation pendant environ 3 secondes et en maintenant ce bouton enfoncé.



## Remplacement de la pile

1. Pour ouvrir le compartiment de la pile à l'arrière de la télécommande, appuyez sur la languette de verrouillage (phase 1) vers la droite avec votre pouce pour retirer le couvercle (phase 2).
2. Retirer l'ancienne pile et la remplacer par une nouvelle (type CR2025.3V) en respectant la polarité (phase 3).
3. Insérer une nouvelle pile (type CR2025.3V).
4. Remplacez le couvercle du compartiment à piles sur la télécommande (phase 4).



Nouvelle pile (type CR2025)

## Précautions

1. Si vous n'utilisez pas la télécommande durant une longue période, retirez la pile afin d'éviter qu'elle ne coule et n'endommage la télécommande.
2. Utilisez la télécommande uniquement dans le cadre du purificateur d'air.
3. Si la télécommande ne fonctionne pas correctement, veuillez retirer la pile et la remettre en place au bout de 30 secondes. Si elle ne fonctionne toujours pas correctement, remplacez la pile.

## Maintenance

### Nettoyage de la partie extérieure du purificateur d'air

1. Éteignez l'appareil et débranchez le cordon d'alimentation.
2. Utilisez un chiffon doux et humide pour éliminer la poussière et la saleté de l'appareil.
3. Veillez à ce que **de l'eau** ne pénètre pas à l'intérieur de l'appareil.

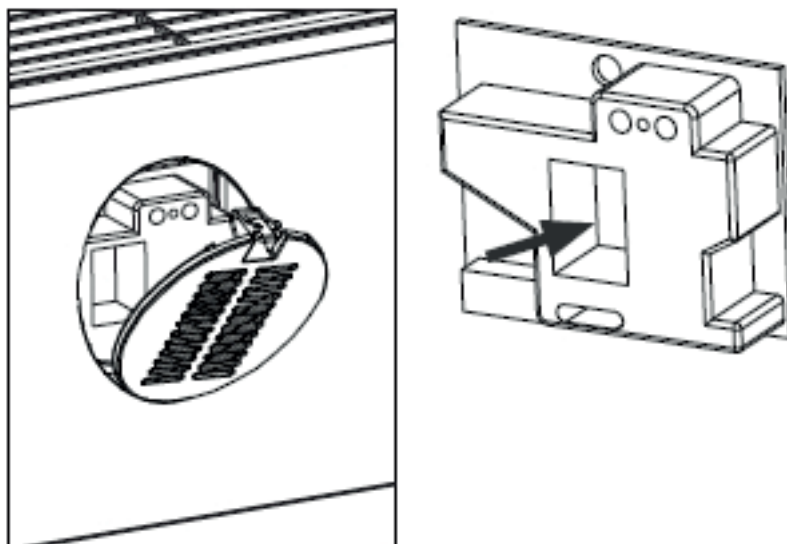
### Nettoyage de l'Intelligent Particle Sensor™

#### Nettoyez le capteur de qualité de l'air toutes les 6 à 8 semaines.

Si la valeur PM2.5 ne s'affiche pas correctement, utilisez un coton-tige pour nettoyer la lentille du capteur.

1. Retirez le couvercle du capteur.
2. Nettoyez la lentille du capteur à l'aide d'un coton-tige et d'eau, comme indiqué par la flèche. Séchez ensuite la lentille à l'aide d'un coton-tige propre.
3. Remplacez le couvercle du capteur.
4. N'essuyez pas la lentille du capteur avec de l'alcool ou un autre solvant organique.

**Attention !** Si le taux d'humidité dans la pièce est très élevé, il y a un risque de condensation sur le capteur de qualité de l'air. L'indicateur de la qualité de l'air (affichage numérique - mesure de la taille des particules) pourrait alors indiquer que la qualité de l'air est mauvaise, alors que ce n'est pas le cas. Dans ce cas, nous vous recommandons de nettoyer le capteur de qualité de l'air ou de ne pas utiliser le purificateur d'air en mode automatique.



## Remplacement des filtres

Le purificateur d'air **Clean Air Optima Intelligent Air Purifier CA-509Pro Smart** est équipé d'un dispositif de surveillance de la durée de vie des filtres, qui signale que les filtres doivent être remplacés après 2.000 heures de fonctionnement. Lorsque les filtres composites (**filtre HEPA + charbon actif**) doivent être remplacés, le purificateur d'air émet une lumière clignotante. Réinitialisez la minuterie du filtre composite en appuyant sur les boutons Vitesse et Minuterie (pendant environ 3 secondes) et en maintenant ces boutons enfoncés. Si le témoin lumineux s'éteint, cela signifie que la minuterie a été réinitialisée avec succès.

**En fonction de leur utilisation, les filtres composites (filtre HEPA + charbon actif) possèdent une durée de vie d'environ 6 à 8 mois.**

### Nettoyage des filtres

Pour un effet optimal, nettoyez les filtres une fois par mois. Si l'air intérieur est extrêmement pollué, un nettoyage supplémentaire peut s'avérer nécessaire.



Nettoyez le **préfiltre** et le **filtre HEPA** à l'aide d'une brosse ou d'un aspirateur. De cette façon, les plus grosses particules de poussières comme les peluches, les poils ou les squames d'animaux domestiques peuvent être éliminées du filtre.

**Avertissement !** Ne jamais mouiller ou rincer les filtres composites (**filtre HEPA et à charbon actif**) avec de l'eau.

### Signes d'usure des filtres

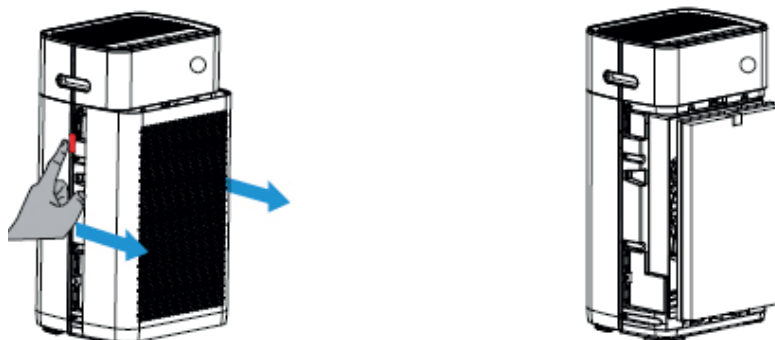
Augmentation du bruit, diminution du débit d'air, filtres bouchés, mauvaises odeurs. Le filtre HEPA doit être remplacé par un nouveau lorsqu'il passe du blanc au gris ou au noir. Si le filtre HEPA reste blanc, cela signifie qu'il n'est PAS nécessaire de le remplacer.

### Comment commander des filtres :

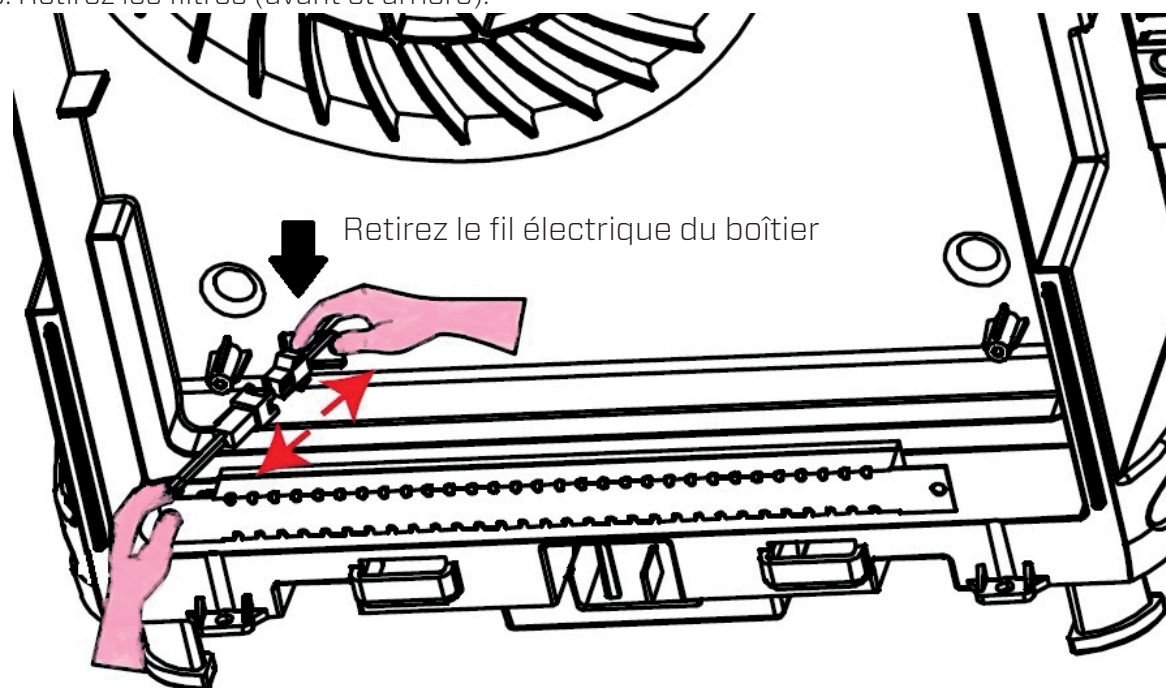
Contactez le service après-vente de Clean Air Optima au numéro de tél. suivant : + 31 (0) 742670145 ou visitez notre boutique en ligne à l'adresse : <https://www.cleanairoptima.com>

## Remplacement des lampes UV LED (à l'avant et à l'arrière de l'appareil)

Les deux lampes UV LED du purificateur d'air Clean Air Optima CA-509Pro Smart ont une durée de vie de 8000 heures de fonctionnement = 1 an de fonctionnement 24/7. Les lampes UV LED doivent être remplacées après 8000 heures de fonctionnement, ou lorsque le témoin lumineux (UV) de l'écran s'éteint.



1. Éteignez l'appareil et retirez la fiche de la prise électrique
2. Appuyez sur les boutons de déverrouillage avec les deux doigts et retirez les couvercles avant et arrière.
3. Retirez les filtres (avant et arrière).



4. À l'aide d'un tournevis à tête Philips, retirez les vis de la plaque de protection métallique des deux lampes UV LED (avant et arrière).
5. Tirez le fil électrique hors du boîtier vers vous jusqu'à ce que vous voyiez les fiches. Déverrouillez les fiches, voir l'illustration.
6. Vous pouvez à présent installer les nouvelles lampes UV LED. Après l'installation des lampes UV LED, le témoin lumineux (UV) s'allume à nouveau.

### Comment commander des lampes UV LED :

Prenez contact avec le service clientèle de Clean Air Optima au numéro + 31 (0) 742670145 ou rendez-vous sur notre boutique en ligne : <https://www.cleanairoptima.com>

## Dépannage

Vous trouverez ci-dessous un guide de dépannage destiné à vous aider à résoudre tous les problèmes que vous pourrez rencontrer lors de l'utilisation du purificateur d'air **Clean Air Optima Intelligent Air Purifier CA-509Pro Smart**.

Problème	Cause possible	Solution
L'appareil ne s'allume pas.	Le cordon d'alimentation ne se raccorde pas correctement.	Raccordez correctement la fiche d'alimentation sur la prise de courant.
	Le cordon d'alimentation est cassé.	Remplacez le cordon d'alimentation.
	Le panneau avant ou arrière n'est pas installé correctement.	Installez le panneau correctement. Voir le chapitre : Mode d'utilisation
La sortie d'air dégage de mauvaises odeurs.	Le filtre emprisonne trop d'odeurs ou de poussières.	Remplacez les filtres composites.
	La durée de vie des filtres est dépassée.	Remplacez les filtres composites.
Performances de purification médiocres	Vérifiez si le taux d'humidité du local n'est pas trop faible.	Augmentez le taux d'humidité.
	L'appareil est placé dans un local non ventilé ou est entouré d'obstacles.	Éliminez les obstacles.
Aucun débit d'air ne sort de l'appareil.	L'entrée ou la sortie d'air est obstruée.	Éliminez les obstacles.
La télécommande ne fonctionne pas.	Vérifiez si la pile est installée.	Installez la pile.
	Vérifiez si la pile est installée correctement.	Installez la pile correctement.
	Vérifiez la capacité de la pile.	Remplacez la pile.
	Vérifiez si la distance de la télécommande dépasse la portée maximale.	La portée est de 5 mètres à l'avant de l'appareil.
<b>L'appareil ne fonctionne pas avec l'application Clean Air Optima®</b>	Le smartphone ou la tablette n'est pas connecté au réseau wifi  L'appareil n'a pas de connexion au réseau	Réinitialisez l'appareil en maintenant les boutons STAND et TIMER enfoncés pendant 3 secondes. L'indicateur WiFi clignote. Suivez ensuite les étapes 4 à 8 du chapitre <b>Commande avec Clean Air Optima® App</b> .

## AVERTISSEMENT !

Si les solutions recommandées ci-dessus ne fonctionnent pas, veuillez contacter le support technique Clean Air Optima à l'aide du numéro de téléphone de votre pays. N'essayez pas de démonter, de remonter ou de réparer l'appareil, car cela pourrait avoir pour effet d'annuler la garantie.

## Spécifications

Modèle	CA-509Pro Smart
Pour des locaux jusqu'à	90 m <sup>2</sup> / 225 m <sup>3</sup> / 970 ft <sup>2</sup>
Tension nominale	220 V - 240 V, 50 Hz/60 Hz
Puissance nominale	Max. 53 W
Capacité du ventilateur (CADR)	400 m <sup>3</sup> /h (particules solides) - 100 m <sup>3</sup> /h (formaldéhyde)
Performances du filtre	99,97 %
Taux de stérilisation	99,9 %
Ion négatif	2.000.000 ions/cm <sup>2</sup>
Niveau sonore	Ventilateur silencieux < 20 dB(A) Faible 1 / 35 dB(A) Moyen 2 / 55 dB(A) Turbo 3
Dimensions	560 x 320 x 210 mm
Poids	7,5 kg
Couleur	Living White
Conforme à la réglementation de l'UE	CE / WEEE / RoHS

**Renseignez-vous auprès de votre détaillant ou de votre municipalité afin d'obtenir des informations mises à jour sur l'évacuation de l'emballage et de l'appareil.**



## Service après-vente

### Certificat de garantie du purificateur d'air Clean Air Optima Intelligent Air Purifier CA-509Pro Smart.

Date d'achat : .....  
Nom du client : .....  
Adresse : .....  
Téléphone : .....  
E-mail : .....  
Nom du revendeur : .....  
Adresse : .....

1. Veuillez remplir intégralement le présent certificat de garantie. Envoyez-le avec la facture et l'appareil, port payé et dans l'emballage d'origine, à votre distributeur. Assurez-vous d'inclure l'affranchissement de retour approprié pour le colis.
2. Veuillez joindre une brève description du dommage, de la panne ou du dysfonctionnement, ainsi que les circonstances à l'origine de ces problèmes.

Le purificateur d'air **Clean Air Optima Intelligent Air Purifier CA-509Pro Smart** est soumis à des procédures d'essai strictes avant de quitter l'usine. Si, dans un délai de 2 ans à compter de la date d'achat, le produit ne fonctionne pas conformément aux spécifications en raison de défauts d'usine, l'acheteur a droit à la réparation ou au remplacement gratuit des pièces défectueuses sur simple présentation de cette garantie (à condition que le dysfonctionnement ou les dommages à l'appareil et/ou à ses éléments soient survenus dans des conditions normales de fonctionnement). Ce qui est couvert par la garantie : Toutes les pièces défectueuses, en raison d'un défaut de matériel ou de fabrication. Durée : deux ans à compter de la date d'achat. Ce que nous ferons : Réparer ou remplacer toute pièce défectueuse. Exclusions : Remplacement régulier des filtres.

#### Autres conditions

Les dispositions de la présente garantie remplacent toute autre garantie écrite, expresse ou implicite, écrite ou orale, y compris toute garantie de qualité marchande ou d'adaptation à un usage particulier. La responsabilité maximale du fabricant ne peut pas excéder le prix d'achat réel que vous avez payé pour le produit. En aucun cas, le fabricant ne pourra être tenu responsable de dommages spéciaux, accidentels, conséquents ou indirects. Cette garantie ne couvre pas les défaillances résultant d'une utilisation ou d'un entretien inapproprié ou déraisonnable, d'un montage incorrect, d'un accident ou de catastrophes naturelles, d'un emballage inadéquat, ou d'une falsification, altération ou modification non autorisée, tels que déterminés à notre seule discrétion. La présente garantie est nulle si l'étiquette portant le numéro de série a été retirée ou effacée.

# Merci de votre lecture !



Faites-nous part de vos commentaires sur le purificateur d'air Clean Air Optima Intelligent Air Purifier CA-509Pro Smart sur : [www.cleanairoptima.com](http://www.cleanairoptima.com).



Pour les questions fréquemment posées au sujet du CA-509Pro Smart, accédez à : [www.cleanairoptima.com](http://www.cleanairoptima.com) et recherchez le CA-509Pro Smart.



Téléchargez le mode d'emploi au format PDF sur : [www.cleanairoptima.com/info/manuals](http://www.cleanairoptima.com/info/manuals).



Regardez toutes les vidéos d'animation des produits Clean Air Optima sur : [www.youtube.com](http://www.youtube.com).

**Clean Air Optima International B.V.** | Rientjesoven 26 | 7621 HG Borne  
Pays-Bas | Téléphone : +31 (0) 74 - 2670145

**Clean Air Optima Germany GmbH** | Enschedestraße 14 | 48529 Nordhorn  
Allemagne | Téléphone : +49 (0) 5921 879-121

**E-mail :** [info@cleanairoptima.com](mailto:info@cleanairoptima.com)

**Site Web :** [www.cleanairoptima.com](http://www.cleanairoptima.com)

## Español

### Le agradecemos la compra del purificador de aire inteligente Clean Air Optima CA-509Pro Smart.

Este eficiente y eficaz producto le proporcionará muchos años de aire interior saludable.

Cuando utilice este aparato eléctrico, cumpla siempre todas las medidas de seguridad para su correcto funcionamiento. En estas instrucciones se explican las medidas de seguridad que debe respetar durante su funcionamiento, las cuales han sido concebidas para evitar daños personales y en el propio aparato.

### Antes de utilizar su nuevo purificador de aire inteligente Clean Air Optima CA-509Pro Smart

Retire primero los sellos de los filtros (consulte la página 5). Modo de empleo

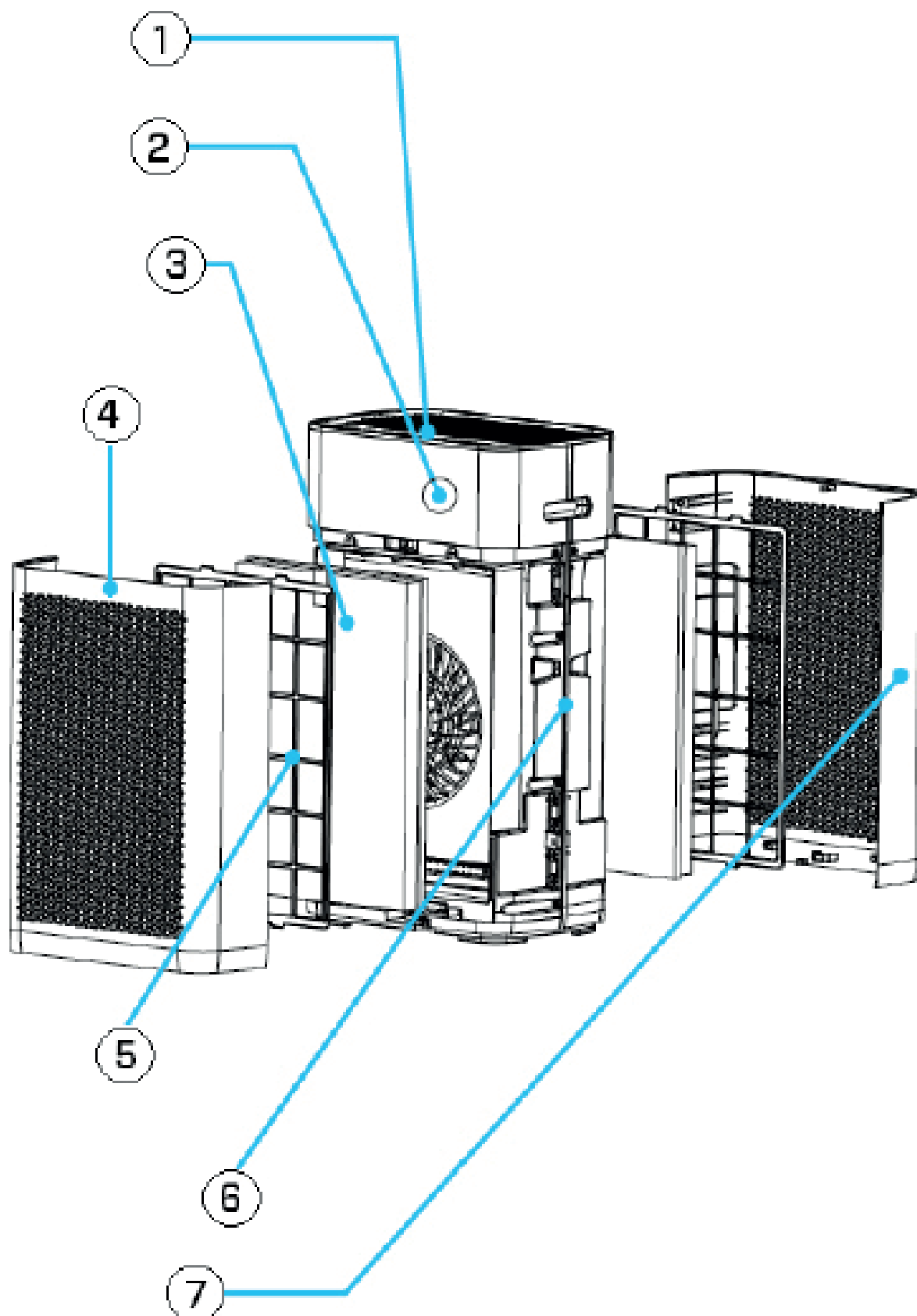


### Descripción del aparato

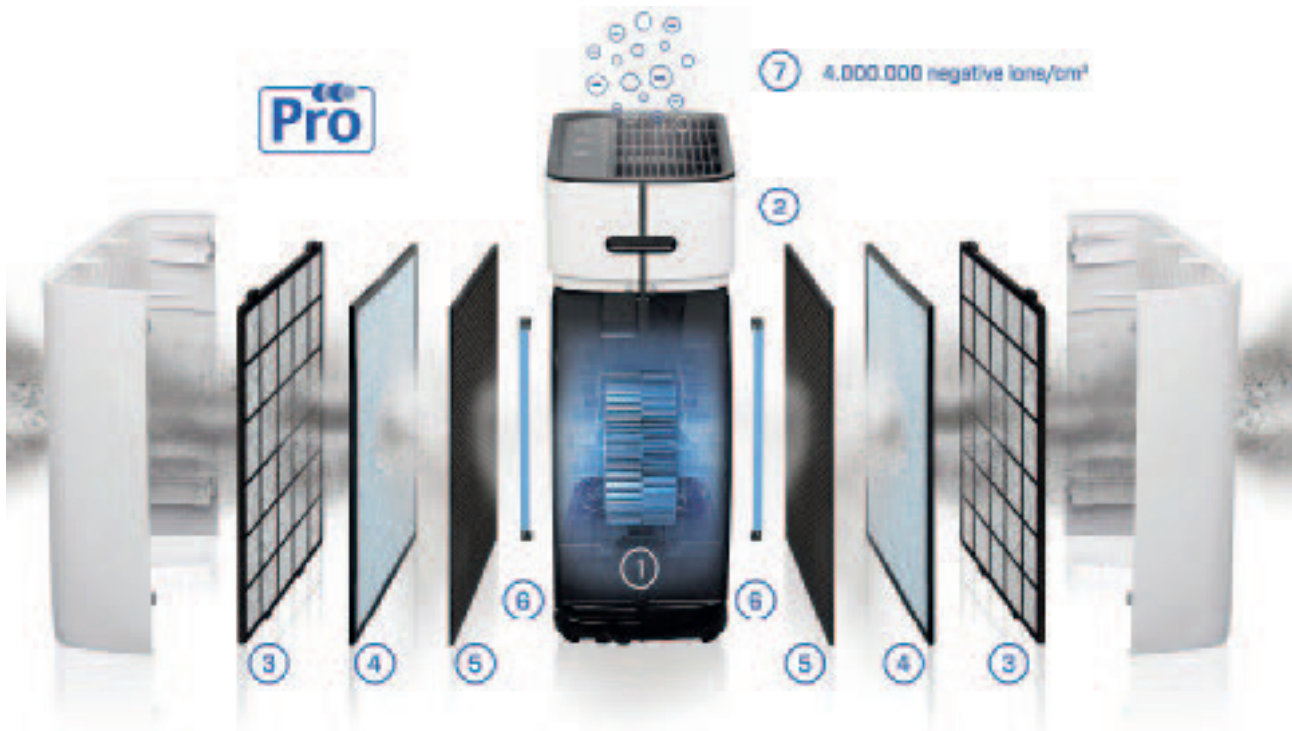
El aparato consta de los siguientes componentes principales:

1. Panel de mandos
2. Monitor digital de la calidad del aire interior
  - Medición de partículas PM2.5
  - Medición de humedad relativa del aire en %
  - Medición de la temperatura en °C
3. Filtro compuesto: Filtro TRUE HEPA y filtro de carbón activo
4. Panel frontal
5. Prefiltro
6. Parte principal del purificador de aire
7. Panel trasero

## CA-509Pro Smart/ Unidad principal



**Sistema dual de circulación de aire - Sistema de filtrado dual -  
Ionizador dual para una doble purificación del aire**



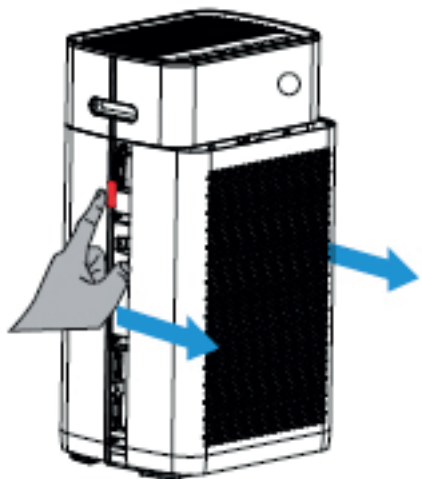
1. Ventilador dual
2. Intelligent Particle Sensor™
3. Prefiltro
4. Filtro HEPA Nano-Zilver True
5. Filtro de carbón activo
6. Lámpara LED UV
7. Ionizador dual

## Advertencia de seguridad

Cumpla estas instrucciones de seguridad siempre que utilice el aparato. Siga estos pasos para disminuir al mínimo el riesgo de sufrir daños personales a causa de, por ejemplo, descargas eléctricas o incendios.

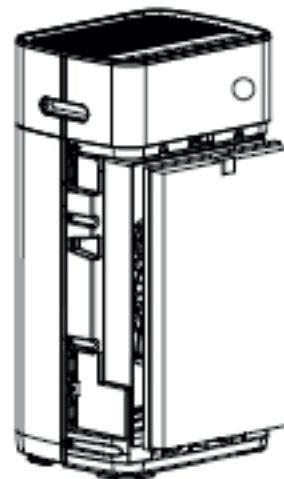
1. Solo para uso en interiores. No utilizar ni guardar al aire libre.
2. El aparato no debe ser utilizado por niños o personas con discapacidad física, sensorial o mental, salvo que estén bajo la supervisión de una persona responsable de su seguridad.
3. No utilice el aparato si el cable eléctrico o el propio aparato presentan algún daño visible. En caso de daños, no repare el aparato por sus propios medios. No mueva el aparato tirando del cable. Si el cable de alimentación ha sufrido algún daño, para evitar descargas eléctricas o incendios debe ser sustituido por un técnico autorizado.
4. Las reparaciones solo pueden ser llevadas a cabo por personal técnico autorizado. Para evitar descargas eléctricas o incendios, no intente reparar el aparato por sus propios medios.
5. Cuando no vaya a utilizar el aparato, desenchufe siempre el cable de alimentación.
6. Utilice únicamente los cables de corriente suministrados.
7. Desenchufe el cable cuando no utilice el aparato o cuando limpie sus piezas internas o externas.
8. Por motivos de seguridad, coloque el aparato en una posición horizontal estable. No lo mueva mientras esté en uso.
9. No utilice el aparato en habitaciones donde se guarden líquidos o gases inflamables, ni cerca de fuentes de calor o en habitaciones con excesiva humedad, como los cuartos de baño.
10. Para evitar averías, nunca inserte otros objetos en el armazón del aparato.
11. Nunca cubra la rejilla de entrada ni de salida de aire.
12. Nunca desmonte ni sustituya las piezas internas del aparato.
13. Cuando el aparato esté en funcionamiento, no toque las rejillas de entrada y salida de aire, y no introduzca el asa ni ningún objeto en la salida de aire, con objeto de evitar lesiones al usuario o daños al propio aparato.
14. Para mantener la rejilla de entrada y salida de aire del purificador de aire sin obstáculos, no coloque objetos encima o cerca de la cubierta frontal.
15. No deposite objetos pesados sobre el aparato.
16. Evite los lugares expuestos a la luz solar directa. El aparato podría decolorarse.
17. Nunca sumerja el aparato en agua u otros líquidos.
18. No toque el cable de alimentación con las manos mojadas.
19. Limpie el prefiltro regularmente, si tiene mucho polvo, se producirá un efecto purificador deficiente y el consumo de energía aumentará, lo que puede causar fallos.
20. El entorno normal de funcionamiento del aparato está entre 0 y 40 grados °C.
21. Utilice, mantenga y limpie el aparato conforme a las instrucciones del manual.

## Modo de empleo (instalación del filtro en la parte delantera y trasera)



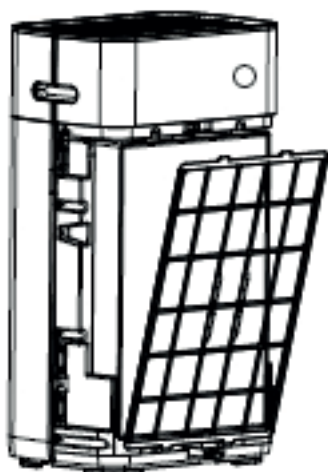
### 1. Extraiga el panel

Pulse con ambos dedos sobre el icono rojo indicado a la izquierda y a la derecha del purificador de aire (como indica la figura). Tire del panel hacia usted como indican las flechas azules.



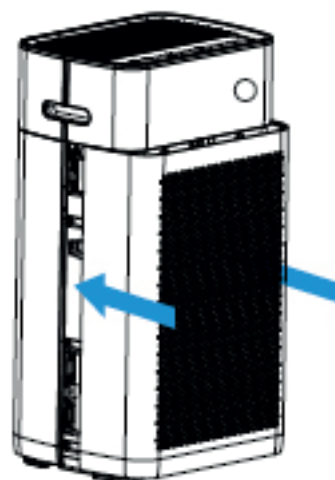
### 2. Instale el filtro compuesto

Retire los sellos de los filtros. Vuelva a colocar los filtros en el aparato. La llave de la parte inferior y superior debe quedar visible en la parte frontal (debe verse el lado HEPA del filtro).



### 3. Instale el prefiltro

Instale el prefiltro con la parte saliente negra hacia fuera. Ponga su parte inferior en la ranura inferior e introduzca suavemente la parte superior (la de las flechas) en la ranura superior.

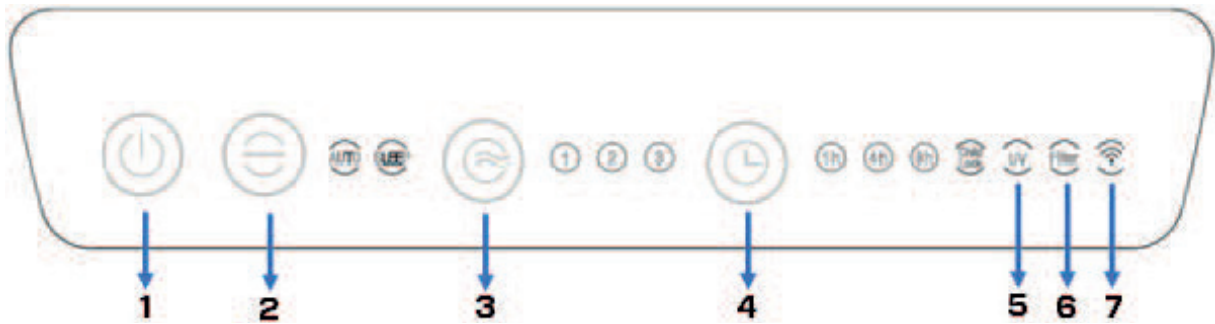


### 4. Coloque el panel

Empuje el panel frontal en paralelo a lo largo de los bordes superior e inferior en la dirección mostrada en azul, como indica la figura. El panel queda instalado al oír un clic.

**El aparato debe colocarse a una distancia mínima de 30 cm de las paredes y los muebles para obtener una buena circulación de aire. Asegúrese de que las entradas y salidas de aire no estén bloqueadas.**

## Panel de control / Instrucciones de funcionamiento



### 1 Botón de encendido/apagado

Con este botón se enciende y se apaga el aparato (por defecto, al encenderlo se sitúa en modo Auto).

### 2 Modo

El botón de Modo activa las funciones Auto y Sleep.

En la opción **Auto**, el sensor inteligente integrado (Intelligent Particle Sensor™) mide y regula automáticamente la calidad del aire. El ventilador, controlado por un sensor, anticipa automáticamente hasta qué punto el aire interior está contaminado por partículas de tamaño PM2.5 y se adapta a las 3 velocidades diferentes.

En la opción **Sleep**, se enciende el indicador luminoso, y se apagará, incluyendo la pantalla digital, después de 5 segundos. Presione cualquier botón para reiniciar el indicador luminoso y la pantalla digital. El indicador luminoso y el monitor digital se apagarán de nuevo después de 5 segundos (el ventilador estará funcionando en el nivel de velocidad más bajo).

### 3 Velocidad

Pulsando el botón Speed, puede cambiar el nivel de velocidad. Las 3 velocidades del ventilador proporcionan su propia intensidad de circulación del aire (1-2-3 significa que la velocidad del ventilador aumenta).

### 4 Temporizador

Pulse el botón del Temporizador para ajustar el temporizador a "cambio automático" en un intervalo de 1, 4 y 8 horas. El número de horas seleccionado puede leerse en la pantalla del temporizador.

### 5 Luz LED UV

Las bombillas LED UV deben ser sustituidas después de 8.000 horas de funcionamiento, o si la luz indicadora (UV) de la pantalla se apaga.

### 6 Filtro

Si el indicador luminoso parpadea, el filtro compuesto (HEPA y filtro de carbón activado) debe cambiarse. El filtro compuesto tiene una vida útil de 2.000 horas.

### 7. WiFi

Indicador WiFi.

### 2 + 3 Seguridad para niños

El sistema de seguridad para niños protege contra el uso no deseado del aparato.

El sistema se activa o desactiva pulsando simultáneamente los botones Mode y Speed.

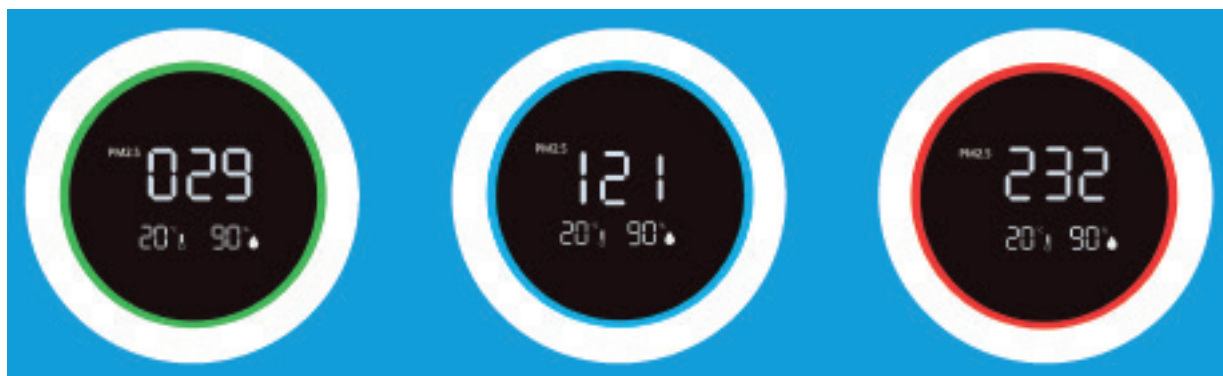
El indicador luminoso del sistema de seguridad para niños se encenderá.

### 3 + 4 Reinicio del filtro

Para reiniciar el temporizador del filtro compuesto, pulse y mantenga pulsado el botón Speed y el del Temporizador (durante unos 3 segundos). Si el indicador luminoso se apaga, el temporizador se ha reiniciado correctamente.

## Monitor digital

El monitor digital de la parte frontal del purificador de aire CA-509Pro Smart indica automáticamente y con exactitud la calidad del aire actual midiendo el nivel de medición de partículas PM2.5, la humedad interior y la temperatura.



**Verde** - Bueno: 0-80 ug/m<sup>3</sup>    **Azul** - Medio: 80-150 ug/m<sup>3</sup>    **Rojo** - Malo: 150 ug/m<sup>3</sup> o más

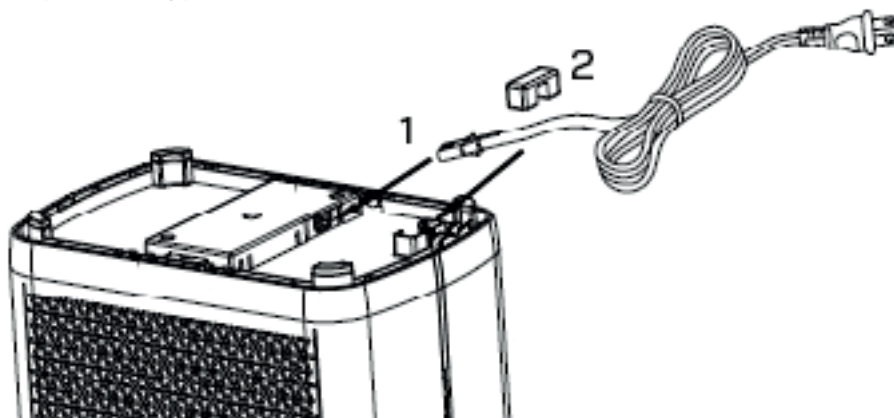
Las partículas de 10 um (PM10) y más pequeñas, de 2,5 um (PM2.5), pueden entrar en los pulmones; de hecho constituyen las 10 principales amenazas para la salud humana. Estas pequeñas partículas surgen en acciones típicas de los ambientes interiores, como cocinar, hornear, freír, ahumar, así como en la calefacción, y también existen en grandes cantidades en el aire interior debido al transporte, la industria, la construcción, el material biológico (polen, bacterias, ácaros y virus), las partículas importadas de otros lugares, como los gases de escape (de los aviones) y las erupciones volcánicas.

Los alérgenos como el polen y el polvo amenazan de manera grave y duradera la salud de millones de personas cada primavera, y su número aumenta constantemente.

Medición de la humedad relativa y la temperatura

Aspectos importantes para una purificación eficaz del aire: humedad relativa entre 45 - 60 % y temperatura ambiente entre 20 y 23 °C

## Cable de alimentación



1. Retire el pegamento del cable de alimentación de la parte inferior del aparato e introduzca el extremo del cable en la toma situada en la parte inferior del aparato (como se muestra en la figura 1).
2. Coloque el cable de alimentación en la ranura para cables y fíjelo con el adhesivo de prensado de cables (como se muestra en la figura 2).

## Funcionamiento con la aplicación Clean Air Optima<sup>®</sup>


### Conectividad

**Compatibilidad con smartphone y tableta:**  
dispositivos iPhone, iPad y Android

**El aparato se conecta a través de WiFi con la aplicación:**  
CleanAirOptima

**Atención:** El enrutador debe configurarse en la banda ancha de 2,4 GHz. Si el enrutador está configurado en 5,0 GHz, es imposible establecer una conexión.

### Configurar la conexión WiFi

1. Descargue e instale la aplicación "CleanAirOptima" en App Store o Google Play Store.
2. Cree una cuenta e inicie sesión.
3. Enchufe el aparato a la corriente y enciéndalo. El indicador WiFi parpadeará.
4. El router debe estar configurado en la banda ancha de 2,4 GHz. Si el router está configurado a 5,0 GHz, no podrá establecerse ninguna conexión.
5. Asegúrese de que está activado el Bluetooth en su smartphone.
6. Asegúrese de que su smartphone o tableta esté conectado correctamente a su red WiFi.
7. Abra la aplicación 'CleanAirOptima' y haga clic en 'Añadir dispositivo' + . Su dispositivo aparece en la lista y puede seleccionarlo. De lo contrario, elija 'Escaneo automático'. Siga las instrucciones de la pantalla para conectar el dispositivo a su red.
8. Seleccione Clean Air Optima<sup>®</sup> en la aplicación y siga las instrucciones de esta.
9. Cuando el aparato esté sincronizado, el indicador WiFi  quedará encendido.
10. Una vez finalizada la configuración, podrá usar el aparato mediante la aplicación Clean Air Optima<sup>®</sup>.

### Nota:

- Si su red predeterminada ha cambiado, restablezca la conexión WiFi, siguiendo los pasos del 3 al 8 en la sección 'Configurar conexión WiFi'.
- Si desea emparejar varios aparatos con su smartphone o tableta, debe hacerlo uno tras otro.
- Asegúrese de que la distancia entre su smartphone o tableta y el aparato sea inferior a 5 metros y que no haya obstáculos. También asegúrese de estar en la misma habitación que el aparato.

### Restablecer la función WiFi:

- Reinicie el WiFi presionando el botón 'Mode' y 'Temporizador' durante 3 segundos; el indicador WiFi parpadeará rápidamente.



## Conecte los dispositivos a varios teléfonos

Nota: En primer lugar, la otra persona debe instalar la aplicación Clean Air Optima® en su teléfono y crear una nueva cuenta.

### Comparta el dispositivo con acceso limitado:

Puede optar por compartir un dispositivo con varias personas.

Esta persona tendrá entonces acceso, pero no podrá gestionar todos los ajustes.

Siga las instrucciones que aparecen a continuación para compartir el dispositivo con varias personas:

1. Vaya al dispositivo correspondiente.
2. Vaya al lápiz o a los tres puntos de la parte superior derecha.
3. Seleccione “Compartir dispositivo”.
4. Seleccione “Añadir uso compartido”.
5. Elija el método para compartir, por ejemplo, por correo electrónico, whatsapp, sms, etc. y continúe.
- 6 El dispositivo aparecerá automáticamente en la aplicación Clean Air Optima® con la otra cuenta.

### Comparta el dispositivo con acceso total:

Puede añadir una o varias personas a la gestión de su casa.

Dichas personas tendrán entonces acceso a todos los dispositivos que ya están vinculados y tendrán todos los derechos y permisos. Usted seguirá siendo siempre el administrador principal.

Siga las siguientes instrucciones para añadir a alguien a la gestión de su casa:

1. Abra la aplicación Clean Air Optima® y vaya a “Yo”.
2. A continuación, elija “Gestión de la casa”.
3. Elija “Crear casa”.
4. Seleccione la “Casa” correspondiente y “Añadir miembro”.
5. Elija el método para compartir, por ejemplo, por correo electrónico, whatsapp, sms, etc. y continúe.
- 6 La “Casa” correspondiente aparecerá automáticamente en la aplicación Clean Air Optima® de la persona con la que se haya compartido la “Casa”.
5. En la otra cuenta:  
Vaya a la pantalla de inicio desde la aplicación Clean Air Optima®. Vaya a la parte superior izquierda y seleccione la opción “Casa”.

## Mando a distancia

### ENCENDIDO/APAGADO

Con este botón se enciende y se apaga el aparato (por defecto, al encenderlo se sitúa en modo Auto).

### Velocidad

Pulsando el botón Speed, puede cambiar el nivel de velocidad. Las 3 velocidades del ventilador proporcionan su propia intensidad de circulación del aire.

### Temporizador

Pulse el botón del Temporizador para ajustar el temporizador a “cambio automático” en un intervalo de 1, 4 y 8 horas.

### Sistema de seguridad para niños

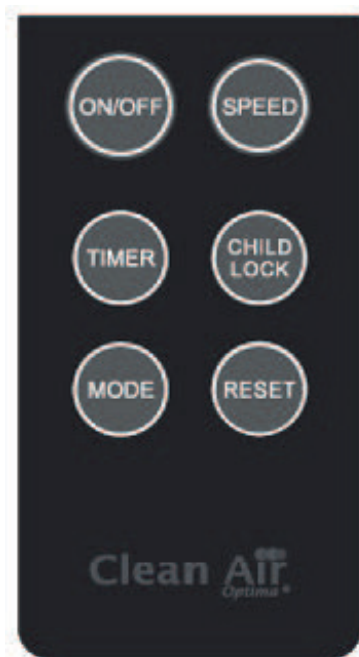
El sistema de seguridad para niños se activa/desactiva pulsando el botón “Child Lock” durante unos 3 segundos.

### Modo

Pulse el botón “Mode” para cambiar entre el modo y la función Sleep.

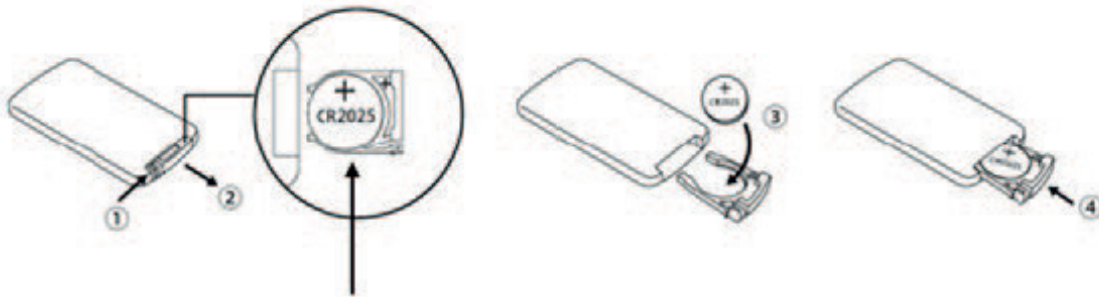
### Reinicio

Para reiniciar el temporizador del filtro compuesto, pulse y mantenga pulsado el botón “Reset” durante unos 3 segundos.



## Cambio de la pila

1. Abra el soporte de la pila de la parte trasera del mando a distancia presionando con el pulgar hacia la derecha la lengüeta de cierre (paso 1), y a continuación saque el soporte (paso 2).
2. Saque la pila gastada e introduzca la nueva (tipo CR2025.3V) con la polaridad correcta (paso 3).
3. Introduzca una pila nueva (tipo CR2025.3V).
4. Vuelva a colocar el soporte de la pila en el mando a distancia (paso 4).



Pila nueva (tipo CR2025)

## Precauciones

1. Si no utiliza el mando a distancia durante un tiempo prolongado, saque la pila para evitar fugas y desperfectos en el mando.
2. Utilice el mando a distancia dentro del alcance del purificador de aire.
3. Si el mando a distancia no funciona correctamente, saque la pila y vuelva a colocarla después de 30 segundos. Si aún así no funciona correctamente, cambie la pila.

## Mantenimiento

### Limpieza del exterior del purificador de aire

1. Apague el aparato y desenchufe el cable.
2. Utilice un paño suave y húmedo para limpiar el aparato de polvo y suciedad.
3. Asegúrese de que **no hay agua** en el aparato.

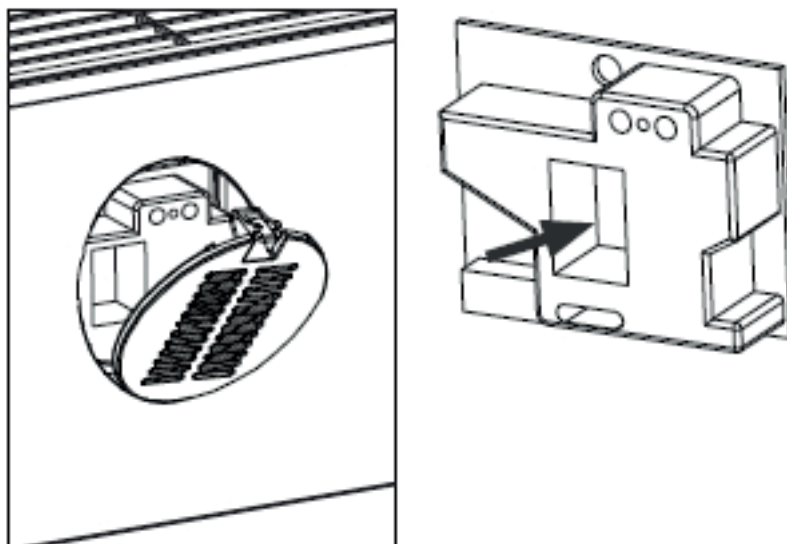
### Limpieza del Intelligent Particle Sensor™

#### Limpie el sensor de calidad de aire cada 6 a 8 semanas.

Si el valor de PM 2.5 no se visualiza correctamente, puede utilizar un bastoncillo de algodón para limpiar la lente del sensor.

1. Retire la tapa del sensor.
2. Limpie la lente del sensor con un bastoncillo de algodón y agua donde indica la flecha. A continuación, seque la lente con un bastoncillo de algodón limpio.
3. Coloque la tapa del sensor.
4. No limpie la lente del sensor con alcohol u otros solventes orgánicos.

**¡Atención!** Si la humedad de la habitación es muy alta, existe el riesgo de que se produzca condensación en el sensor de calidad del aire. Esto puede hacer que el indicador de calidad del aire (visualizador digital - medición de partículas) indique que la calidad del aire es deficiente, a pesar de que no es el caso. En este caso, le recomendamos que limpie el sensor de calidad del aire o que no utilice el purificador de aire en modo automático.



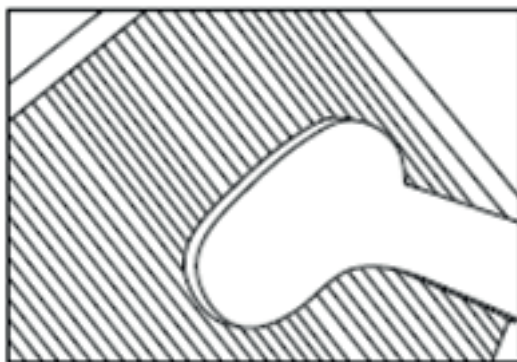
## Sustitución de los filtros

El **purificador de aire inteligente Clean Air Optima CA-509Pro Smart** está equipado con un mecanismo de vigilancia de la vida útil de los filtros que indica que deben ser sustituidos después de 2.000 horas de trabajo. Para indicar que necesitan cambiarse los filtros compuestos (**HEPA + filtro de carbón activo**), el purificador de aire emite una luz indicadora intermitente. Para reiniciar el temporizador del filtro compuesto, pulse y mantenga pulsado el botón Speed y el del Temporizador (durante unos 3 segundos). Si el indicador luminoso se apaga, el temporizador se ha reiniciado correctamente.

**Dependiendo del uso, los filtros compuestos (HEPA + filtro de carbón activo) tienen una vida útil de aprox. 6-8 meses.**

### Limpieza de los filtros

El mejor efecto se consigue limpiando los filtros una vez al mes. Si el aire interior está muy contaminado, puede ser necesaria una mayor limpieza.



Limpie el **prefiltro** y el **filtro HEPA** con un cepillo o con una aspiradora. De esta manera pueden eliminarse del filtro las partículas de polvo más grandes como pelusa, pelo y caspa de las mascotas.

**¡Atención!** No moje ni enjuague nunca los filtros compuestos (**HEPA + filtro de carbón activo**) con agua.

### Signos de filtros desgastados

Mayor ruido, reducción de la circulación del aire, filtros congestionados, aumento de olores. El filtro debe ser reemplazado por uno nuevo cuando el filtro HEPA cambie su color de blanco a gris o negro. Si el filtro HEPA permanece blanco, NO es necesario reemplazarlo.

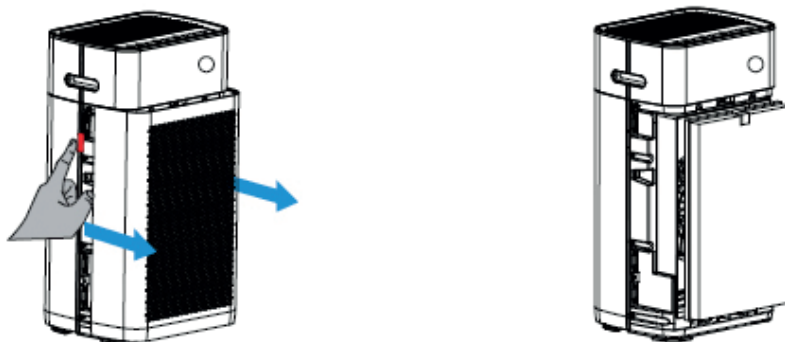
### Cómo pedir filtros:

Póngase en contacto con el Servicio de atención al cliente de Clean Air Optima en el tfno. + 31 (0) 742670145 o visite nuestra tienda virtual:

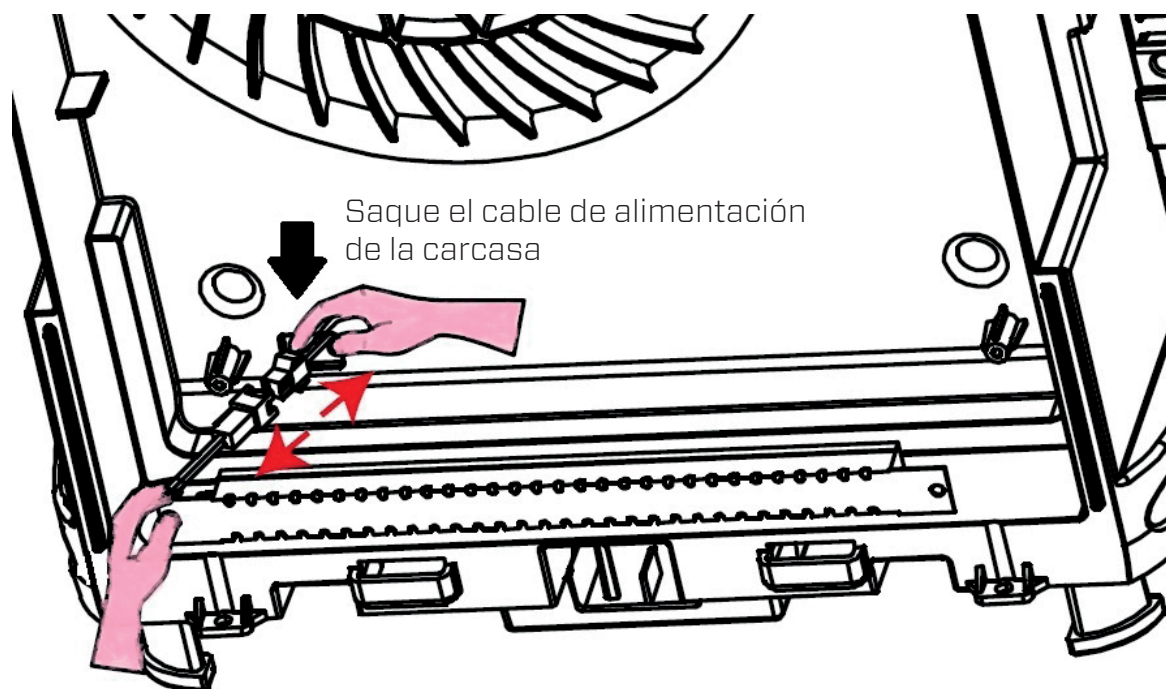
<https://www.cleanairoptima.com>

## Sustitución de las bombillas LED UV (en la parte delantera y trasera de la unidad)

Ambas bombillas LED UV del Clean Air Optima CA-509Pro Smart tienen una vida útil de 8.000 horas de funcionamiento = 1 año de funcionamiento 24/7. Las bombillas LED UV deben ser sustituidas después de 8.000 horas de funcionamiento, o si la luz indicadora (UV) de la pantalla se apaga.



1. Apague el aparato y retire el cable del enchufe.
2. Presione los botones de desbloqueo con ambos dedos y retire las cubiertas delantera y trasera.
3. Retire los filtros (delantero y trasero).



4. Use un destornillador de estrella y quite los tornillos de la protección metálica de las dos bombillas LED UV (delantera y trasera).
5. Tire del cable de alimentación de la carcasa hacia usted hasta que vea los conectores del enchufe. Desbloquee los conectores de enchufe, vea la imagen.
6. Ahora ya puedes colocar las nuevas bombillas LED UV. Después de colocar las bombillas LED UV, la luz indicadora (UV) se encenderá de nuevo.

### Cómo pedir de bombillas LED UV

Contacte con el servicio de atención al cliente de Clean Air Optima en el + 31 (0) 742670145 o visite nuestra tienda web: <https://www.cleanairoptima.com>

## Solución de problemas

A continuación, le ofrecemos una guía que le ayudará a resolver cualquier problema que pueda tener con la utilización del **purificador de aire inteligente Clean Air Optima CA-509Pro Smart**.

Problema	Causa posible	Solución
El aparato no se enciende	El cable de alimentación no está enchufado correctamente El cable de alimentación está roto El panel frontal o trasero no está colocado correctamente	Enchufe el cable de alimentación correctamente en la toma de corriente Cambie el cable de alimentación Coloque el panel correctamente. Consulte la sección: Modo de empleo
La salida de aire huele mal	El filtro atrapa demasiado olor o polvo La vida útil de los filtros ha expirado	Sustituya los filtros compuestos Sustituya los filtros compuestos
Purificación deficiente	Compruebe si la habitación no tiene suficiente humedad El aparato está situado en una habitación sin ventilación o rodeado de obstáculos	Aumente la humedad Despeje el lugar de obstáculos
No sale aire del aparato	La entrada o la salida de aire está bloqueada	Despeje el lugar de obstáculos
El mando a distancia no funciona	Compruebe si tiene la pila Compruebe si la pila está bien colocada Compruebe si la pila está gastada Asegúrese de que el mando no está a una estancia excesiva	Introduzca la pila Introduzca la pila correctamente Cambie la pila El mando no debe estar a más de 5 metros de la parte frontal del aparato
<b>El aparato no funciona con la aplicación Clean Air Optima®</b>	El smartphone o la tableta no están conectados a la red WiFi El aparato no tiene conexión a la red	Reinicie el aparato pulsando y manteniendo pulsado a la vez los botones STAND y TIMER durante tres segundos. El indicador WiFi parpadeará. A continuación, siga los pasos 4 a 8 de la sección <b>“Funcionamiento con la aplicación Clean Air Optima®”</b> .

## ¡ATENCIÓN!

Si las soluciones propuestas no resuelven el problema, póngase en contacto con el servicio técnico de Clean Air Optima llamando al número de teléfono de su región. No intente desmontar, volver a montar o reparar el aparato, ya que la garantía quedaría invalidada.

## Características técnicas

Modelo	CA-509Pro Smart
Para habitaciones de hasta	90 m <sup>2</sup> / 225 m <sup>3</sup> / 970 ft <sup>2</sup>
Tensión nominal	220V - 240V, 50 Hz / 60 Hz
Potencia nominal	Máx. 53 W
Capacidad del ventilador (CADR)	400 m <sup>3</sup> /h (partículas sólidas) - 100 m <sup>3</sup> /h (formaldehído)
Rendimiento del filtro	99,97 %
Tasa de esterilización	99,9 %
Iones negativos	2.000.000 iones/cm <sup>2</sup>
Nivel de ruido	Ventilador silencioso < 20 dB (A) Bajo 1 / 35 dB (A) Medio 2 / 55 dB (A) Turbo 3
Dimensiones	560 x 320 x 210 mm
Peso	7,5 kg
Color	Blanco vivo
Conforme con las normas de la UE	CE / WEEE / RoHS

**Solicite al vendedor del aparato o a su municipio la información más reciente sobre la correcta eliminación del embalaje y del aparato.**



## Servicio

### Certificado de garantía para el purificador de aire inteligente Clean Air Optima CA-509Pro Smart.

Fecha de compra: .....  
Nombre del cliente: .....  
Dirección: .....  
Teléfono: .....  
Correo electrónico: .....  
Nombre del vendedor: .....  
Dirección: .....

1. Rellene todos los datos de este certificado de garantía. Envíelo a su distribuidor (junto con la factura y el aparato) con franqueo pagado y en el embalaje original. No olvide incluir el franqueo de retorno pertinente para el paquete.
2. Incluya una descripción breve de los daños, la anomalía o el fallo de funcionamiento, así como las circunstancias en las que ocurrieron estos problemas.

El **purificador de aire inteligente Clean Air Optima CA-509Pro Smart** se somete a rigurosos procedimientos de prueba antes de salir de fábrica. Si dentro del plazo de tres años desde la fecha de compra, el producto no funciona conforme a las especificaciones, por defectos de fábrica, el comprador tiene derecho a una reparación gratuita o a la sustitución de las piezas con la presentación de esta garantía (siempre que el defecto de funcionamiento o los daños del aparato o sus piezas se hayan producido haciendo un uso normal del mismo). Cobertura de la garantía: todas las piezas con defectos de materiales o mano de obra. Duración: dos años a partir de la fecha de compra. Nuestra tarea: reparar o sustituir las piezas defectuosas.  
Exclusiones: filtros de repuesto regulares.

#### Otras condiciones

Las disposiciones de esta garantía sustituyen a cualquier otra garantía escrita, ya sea explícita o implícita, por escrito u oral, incluida cualquier garantía de comerciabilidad o idoneidad para un propósito concreto. La responsabilidad máxima del fabricante no podrá sobrepasar el precio de compra pagado por el producto. En ningún caso el fabricante podrá hacerse responsable de daños especiales, incidentales, resultantes o indirectos. Esta garantía no cubre los defectos resultantes del uso o mantenimiento incorrecto o poco razonable, montaje defectuoso, accidente, catástrofes naturales, embalaje incorrecto o manipulación, alteración o modificación no autorizada, a nuestro criterio exclusivo. Esta garantía quedará anulada si se despega o altera la etiqueta del número de serie.

# ¡Gracias por su atención!



Comparta sus opiniones sobre el purificador de aire inteligente Clean Air Optima CA-509Pro Smart en [www.cleanairoptima.com](http://www.cleanairoptima.com)



Puede consultar las preguntas frecuentes sobre el CA-509Pro Smart en [www.cleanairoptima.com](http://www.cleanairoptima.com) (busque CA-509Pro Smart).



Descargue el manual de instrucciones en PDF aquí:  
[www.cleanairoptima.com/info/manuals](http://www.cleanairoptima.com/info/manuals)



Puede ver vídeos del producto Clean Air Optima en [www.youtube.com](http://www.youtube.com)

**Clean Air Optima International B.V.** | Rientjesoven 26 | 7621 HG Borne  
Países Bajos | Teléfono: +31 (0) 74 - 2670145

**Clean Air Optima Germany GmbH** | Enschedestraße 14 | 48529 Nordhorn  
Alemania | Teléfono: +49 (0) 5921 879-121

**E-mail:** [info@cleanairoptima.com](mailto:info@cleanairoptima.com)

**Internet:** [www.cleanairoptima.com](http://www.cleanairoptima.com)

## Italiano

**Grazie per aver acquistato il purificatore d'aria intelligente Clean Air Optima CA-509Pro Smart.** Con questo prodotto efficiente ed efficace, auguriamo ai nostri clienti molti anni di aria interna sana.

Per il corretto funzionamento del dispositivo, è importante seguire tutte le precauzioni di sicurezza quando si utilizza questo apparecchio elettrico. Queste istruzioni descrivono le precauzioni di sicurezza da osservare durante il funzionamento. Esse hanno lo scopo di prevenire lesioni ed evitare il danneggiamento dell'elettrodomestico.

**Prima di utilizzare il nuovo Purificatore d'aria intelligente Clean Air Optima CA-509Pro Smart.** Per prima cosa rimuovere la guarnizione dai filtri, vedere pagina 19. Modalità di utilizzo

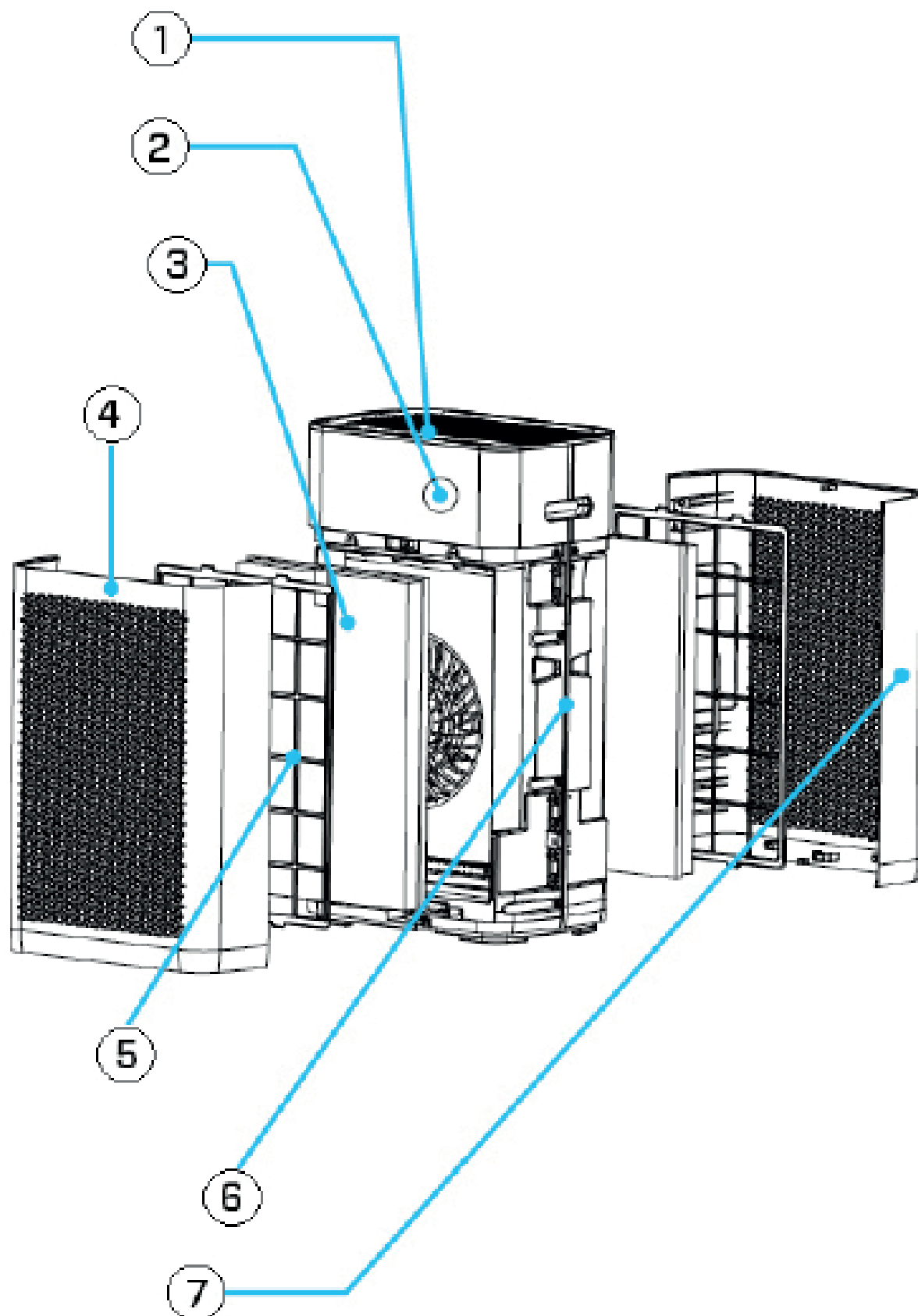


### Descrizione dell'elettrodomestico

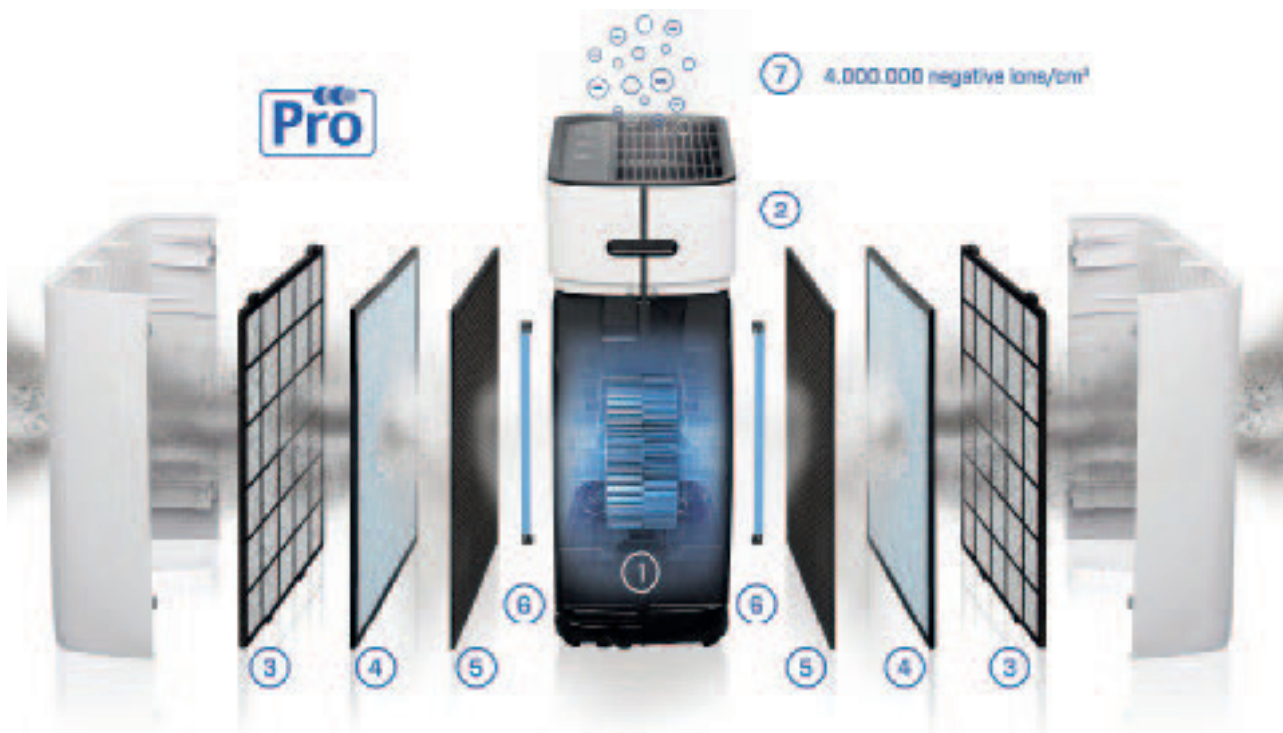
L'elettrodomestico è costituito dai seguenti componenti principali:

1. Pannello di controllo
2. Monitor digitale della qualità dell'aria interna
  - Misurazione delle particelle PM2.5
  - Umidità relativa dell'aria in %
  - Temperatura in °C
3. Filtro composito: Filtro TRUE HEPA e ai carboni attivi
4. Pannello frontale
5. Prefiltro
6. Parte principale del purificatore d'aria
7. Pannello posteriore

## Parti / Unità principale CA-509Pro Smart



**Doppio sistema di flusso d'aria - Doppio sistema di filtraggio - Doppio ionizzatore  
per una doppia purificazione dell'aria!**



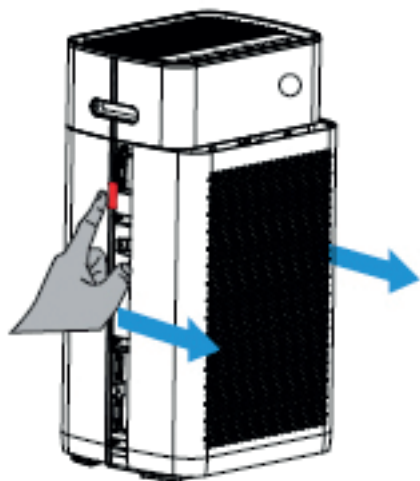
1. Doppia ventola
2. Intelligent Particle Sensor™
3. Prefiltro
4. Filtro True HEPA Nano-Zilver
5. Filtro a carboni attivi
6. Lampada LED UV
7. Doppio ionizzatore

## Avvertenze di sicurezza

Questo dispositivo può essere utilizzato solo in conformità con le seguenti istruzioni di sicurezza. Adottare le seguenti misure per ridurre al minimo il rischio di lesioni personali che possono essere causate, ad esempio, da scosse elettriche o incendi.

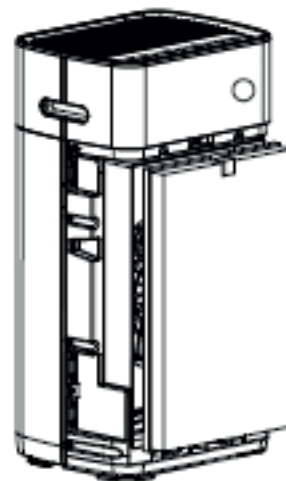
1. Solo per uso interno. Non utilizzare o conservare all'aperto.
2. L'apparecchio non è destinato ad essere utilizzato da bambini o persone con ridotte capacità fisiche, sensoriali o mentali, a meno che non siano supervisionati da una persona responsabile della loro sicurezza.
3. Non utilizzare il dispositivo quando sono presenti danni visibili sul cavo elettrico o sul dispositivo stesso. Non riparare da soli il dispositivo in caso di danneggiamento. Non trascinare mai l'apparecchio dal cavo. Se il cavo di alimentazione è danneggiato, deve essere sostituito da un tecnico dell'assistenza autorizzato per evitare scosse elettriche o incendi.
4. Le riparazioni possono essere eseguite solo da personale di assistenza autorizzato. Non tentare di riparare da soli il dispositivo per evitare scosse elettriche o incendi.
5. Scollegare sempre il cavo dalla spina quando il dispositivo non viene utilizzato.
6. Utilizzare solo i cavi di alimentazione forniti.
7. Scollegare a spina quando non si utilizza l'elettrodomestico o quando si puliscono le parti interne o esterne dello stesso.
8. Per un utilizzo sicuro, sistemare l'elettrodomestico in una posizione stabile e orizzontale. Non spostarlo durante l'utilizzo.
9. Non utilizzare l'apparecchio in locali in cui siano conservati liquidi o gas infiammabili, vicino a fonti di calore o in locali particolarmente umidi come il bagno.
10. Non inserire mai nessun oggetto nel corpo per evitare rotture.
11. Non coprire mai la griglia di ingresso e uscita dell'aria.
12. Non smontare né sostituire mai le parti interne del dispositivo.
13. Quando il dispositivo è in funzione, non toccare le griglie di entrata e di uscita dell'aria e non inserire la maniglia o altri oggetti nell'uscita dell'aria per evitare lesioni o danni al purificatore d'aria.
14. Per mantenere libere le griglie di ingresso e di uscita dell'aria del purificatore d'aria, non posizionare oggetti sopra o vicino al coperchio anteriore del purificatore d'aria.
15. Non posizionare oggetti pesanti sull'unità.
16. Evitare l'esposizione alla luce solare diretta. Esiste il rischio che l'apparecchio scolorisca.
17. Non immergere mai l'unità in acqua o altri liquidi.
18. Non toccare il cavo di alimentazione con le mani bagnate.
19. Pulire regolarmente il prefiltro. Se il prefiltro è saturo di polvere, l'effetto di purificazione sarà scarso. Il consumo di energia aumenterà e potrebbe causare guasti.
20. L'ambiente operativo normale dell'apparecchio è compreso tra 0 °C e 40 °C.
21. Utilizzare, mantenere e pulire il dispositivo come descritto in questo manuale.

## Come usare (Installazione del filtro per la parte anteriore e posteriore)



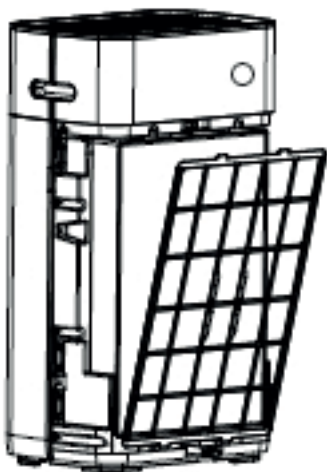
### 1. Smontare il pannello

Premere con entrambe le dita l'icona rossa indicata sul lato sinistro e destro del purificatore d'aria, vedere figura. Tirare il pannello verso di sé come indicato dalle frecce blu.



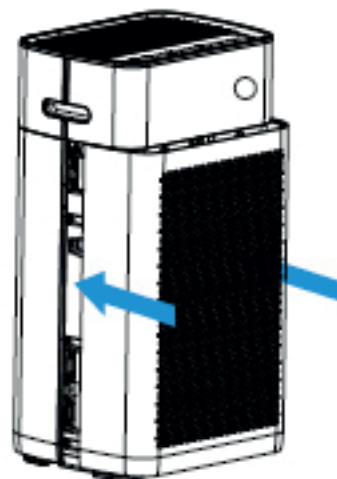
### 2. Installare il filtro composto

Rimuovere la guarnizione dai filtri. Riposizionare i filtri nel dispositivo. Il rubinetto in basso e in alto deve essere visibile nella parte anteriore (il lato HEPA del filtro è visibile).



### 3. Installare il prefiltro

Installare il prefiltro con la sporgenza nera rivolta verso l'esterno. Inserire la parte inferiore nella fessura inferiore e spingere delicatamente la parte superiore (con le frecce) nella fessura superiore.

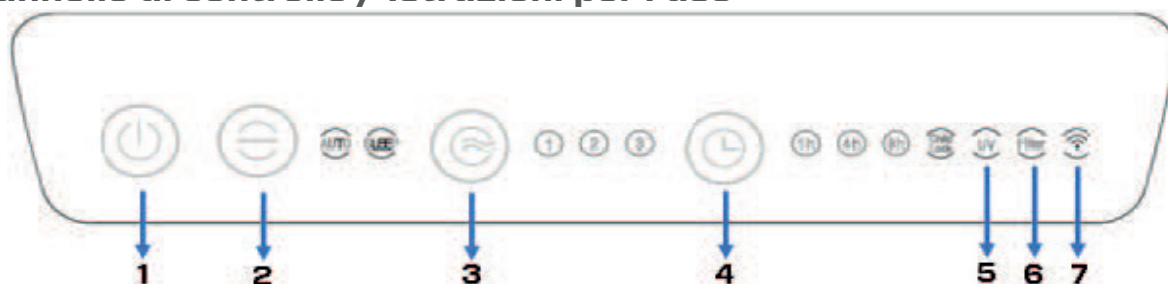


### 4. Installare il pannello

Spingere il pannello frontale parallelamente lungo i bordi superiore e inferiore nella direzione indicata in blu, vedere figura. Quando si sente un clic, il pannello è installato.

Per ottenere un buon flusso d'aria, il dispositivo deve essere posizionato ad almeno 30 cm da pareti e mobili. Assicurarsi che le prese d'aria in entrata e in uscita non siano ostruite.

## Pannello di controllo / Istruzioni per l'uso



### 1 Pulsante di accensione

Premendo il pulsante di accensione si accende e si spegne il dispositivo.  
(la modalità predefinita è Auto dopo l'accensione del dispositivo).

### 2 Modalità

Premere il pulsante Modalità per la funzione Auto e Sospensione.

Nell'impostazione **Auto**, il sensore intelligente integrato (Intelligent Particle Sensor™) misura e regola automaticamente la qualità dell'aria. Il ventilatore, controllato da un sensore, prevede automaticamente il grado di inquinamento dell'aria interna dovuto alle particelle di dimensioni PM2.5, adattandosi di conseguenza alle 3 diverse velocità.

Nella modalità **Sospensione** la spia luminosa è illuminata. La spia luminosa, compreso il display digitale, si spegnerà dopo 5 secondi. Premere un tasto qualsiasi per riavviare la spia luminosa e il display digitale. La spia luminosa e il monitor digitale si spegneranno di nuovo dopo 5 secondi. (la ventola funziona alla velocità più bassa).

### 3 Velocità

Premendo il pulsante Velocità è possibile modificare il livello di velocità. Le 3 velocità della ventola garantiscono un flusso d'aria individuale (1-2-3 significa che la velocità del vento aumenta).

### 4 Timer

Premere il pulsante Timer per impostare il timer sullo "spegnimento automatico" in un intervallo compreso tra 1, 4 e 8 ore. Il numero di ore selezionato può essere letto sul display del timer.

### 5 Lampada LED UV

Le lampade LED UV devono essere sostituite dopo 8.000 ore di funzionamento o quando la spia (UV) sul display si spegne.

### 6 Filtro

Se la spia lampeggia, è necessario sostituire il filtro composito (HEPA e filtro ai carboni attivi). Il filtro composito ha una durata di 2.000 ore.

### 7 WiFi

Indicatore WIFI

### 2 + 3 Blocco bambini

Il blocco bambini protegge l'apparecchio dall'uso indesiderato.

Il blocco bambini si attiva/disattiva premendo contemporaneamente i pulsanti Modalità e Velocità. La spia luminosa del blocco bambini si illuminerà.

### 3 + 4 Reset del filtro

Reimpostare il timer del filtro composito tenendo premuti contemporaneamente i pulsanti Velocità e Timer (per circa 3 secondi). Se la spia si spegne, il timer è stato reimpostato correttamente.

## Monitor digitale

Il monitor digitale sulla parte anteriore del purificatore d'aria CA-509Pro Smart indica automaticamente e con precisione la qualità attuale dell'aria misurando il livello di particelle PM2.5, l'umidità interna e la temperatura.



**Verde** - Buona: 0-80 ug/m<sup>3</sup>

**Blu** - Media: 80-150 ug/m<sup>3</sup>

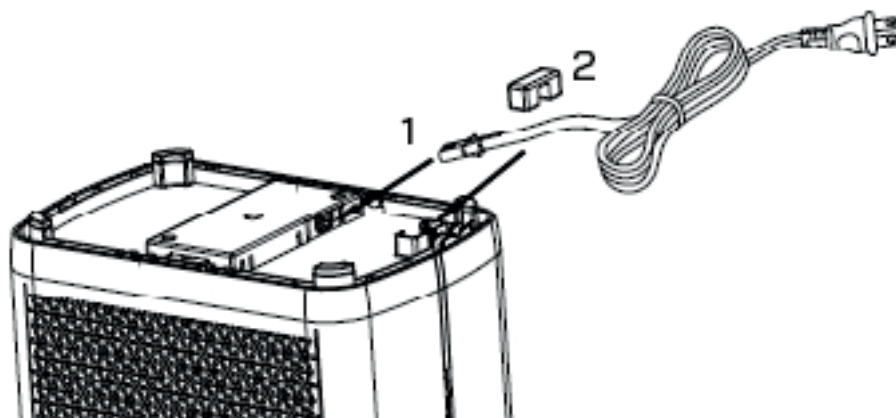
**Rosso** - Cattiva: 150 ug/m<sup>3</sup> o più

Le polveri sottili di 10 µm (PM10) e quelle più piccole di 2,5 µm (PM2,5) possono raggiungere i polmoni e rientrano tra le prime 10 minacce per la salute umana. Queste piccole particelle si sviluppano attraverso i tipici processi che avvengono all'interno come la cottura, la panificazione, la frittura, l'affumicatura e il riscaldamento, oppure vengono trasportate in grandi quantità nell'aria interna a causa del trasporto, dell'industria, dell'edilizia, del materiale biologico (pollini, batteri, acari e virus), particelle importate da altre fonti come i gas di scarico (degli aerei) e le eruzioni vulcaniche.

Ogni primavera, allergeni come pollini e polvere causano gravi e durature minacce alla salute a milioni di persone: i numeri sono in continuo aumento.

Misurazione dell'umidità relativa e della temperatura. Aspetti importanti per un'efficace purificazione dell'aria: umidità relativa tra il 45 e il 60% e temperatura ambiente di circa 20 - 23 °C.

## Cavo di alimentazione



1. Rimuovere la colla del cavo di alimentazione dalla parte inferiore del dispositivo e inserire l'estremità del cavo di alimentazione nella presa situata nella parte inferiore del dispositivo (come mostrato nella figura 1).
2. Inserire il cavo di alimentazione nella fessura per cavi e fissarlo con l'adesivo per pressatura cavi (come mostrato nella figura 2).

## Funzionamento con l'app Clean Air Optima<sup>®</sup>

### Connettività

#### Compatibilità con smartphone e tablet:



Dispositivi iPhone, iPad e Android

#### Il dispositivo si connette tramite WiFi con l'app:

CleanAirOptima

**Attenzione:** Il router deve essere impostato sulla banda larga da 2,4 GHz. Se il router è impostato su 5,0 GHz, è impossibile stabilire una connessione.

### Impostare la connessione WiFi

1. Scaricare e installare l'app Clean Air Optima<sup>®</sup> dall'App Store o dal Google Play Store.
2. Creare un account e accedere.
3. Collegare l'elettrodomestico alla presa di corrente e accenderlo. L'indicatore WiFi lampeggerà.
4. Il router deve essere impostato sulla banda larga a 2,4 GHz. Se il router è impostato su 5,0 GHz, non è possibile stabilire alcuna connessione.
5. Assicurarsi che il Bluetooth sia attivato sul proprio smartphone.
6. Assicurarsi che lo smartphone o il tablet siano connessi correttamente alla rete WiFi.
7. Aprire l'app Clean Air Optima<sup>®</sup> e fare clic su "Aggiungi dispositivo" . Il dispositivo è elencato ed è possibile selezionarlo. In caso contrario, selezionare "Scansione automatica". Seguire le istruzioni sullo schermo per connettere il dispositivo alla rete.
8. Scegliere di aggiungere il dispositivo Clean Air Optima<sup>®</sup> sull'App e seguire le istruzioni nell'App.
9. Quando il dispositivo è associato, la spia luminosa del WiFi  rimane costantemente accesa.
10. Una volta completata correttamente la configurazione, è possibile utilizzare l'app Clean Air Optima<sup>®</sup> per azionare il dispositivo.

#### Nota:

- Se la rete predefinita è cambiata, reimposta la connessione WiFi seguendo i passaggi da 3 a 8 nella sezione "Imposta connessione WiFi".
- Se si desidera associare più dispositivi al proprio smartphone o tablet, procedere uno dopo l'altro.
- Assicurarsi che la distanza tra lo smartphone o il tablet e il dispositivo sia inferiore a 5 metri e che non ci siano ostacoli. Assicurarsi inoltre di trovarsi nella stessa stanza del dispositivo.

#### Reimpostare la funzione WiFi:

- Ripristinare il WiFi premendo il pulsante 'Modalità' e 'Timer' per 3 secondi, la spia luminosa del WiFi lampeggerà rapidamente.



## Collegare i dispositivi a più telefoni

Nota: Per prima cosa l'altra persona deve installare l'app Clean Air Optima® sul proprio telefono e creare un nuovo account.

### Condividere il dispositivo con accesso limitato:

È possibile scegliere di condividere 1 dispositivo con più persone.

Questa persona avrà quindi accesso, ma non sarà in grado di gestire tutte le impostazioni.

Per condividere il dispositivo con più persone, seguire le istruzioni riportate di seguito:

1. Andare al dispositivo in questione.
2. Andare sulla matita o sui tre puntini in alto a destra.
3. Selezionare "Condividi dispositivo".
4. Selezionare "Aggiungi condivisione".
5. Scegliere il metodo di condivisione, ad esempio via email, WhatsApp, SMS ecc. e continuare.
- 6 Il dispositivo apparirà automaticamente nell'app Clean Air Optima® con l'altro account.

### Condividere dispositivo con accesso completo:

È possibile aggiungere una o più persone alla gestione della propria casa.

Quella persona avrà quindi accesso a tutti i dispositivi già collegati e avrà pieni diritti e permessi. Il primo utente resterà sempre l'amministratore principale.

Seguire le istruzioni sottostanti per aggiungere qualcuno alla gestione della propria casa:

1. Aprire l'app Clean Air Optima® e andare su "Me".
2. Quindi selezionare "Gestione casa".
3. Selezionare "Crea una casa".
4. Selezionare la "Casa" desiderata e "Aggiungi membro".
5. Scegliere il metodo di condivisione, ad esempio via email, WhatsApp, SMS ecc. e continuare.
- 6 La "Home" corrispondente apparirà automaticamente nell'app Clean Air Optima® della persona con cui è stata condivisa la propria "Casa".
5. Sull'altro account:  
Accedere alla schermata iniziale dall'app Clean Air Optima®. Andare in alto a sinistra e selezionare "Casa".

## Telecomando

### ACCESO/SPENTO

Premendo il pulsante di accensione si accende e si spegne il dispositivo. (la modalità predefinita è Auto dopo l'accensione del dispositivo).

### VELOCITÀ

Premendo il pulsante Velocità ventola è possibile modificare il livello di velocità della ventola. Le 3 velocità della ventola garantiscono un flusso d'aria individuale.

### TIMER

Premere il pulsante 'Timer' per impostare il timer sullo "spegnimento automatico" in un intervallo compreso tra 1, 4 e 8 ore.

### BLOCCO BAMBINI

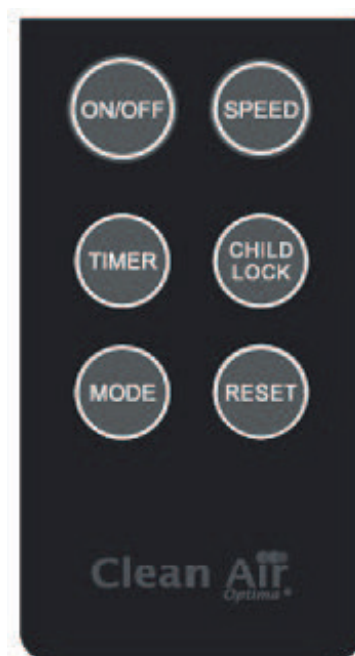
Il blocco bambini si attiva/disattiva premendo il pulsante Blocco bambini per circa 3 secondi.

### MODALITÀ

Premere il pulsante Modalità per passare dalla modalità alla funzione Sospensione.

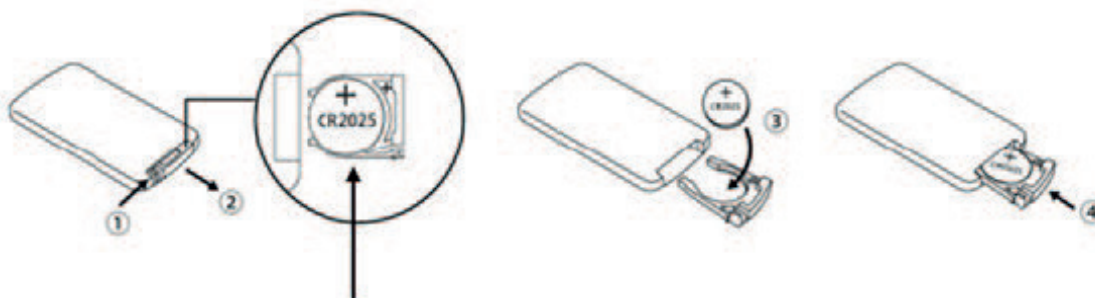
### RESET

Reimpostare il timer del filtro composito tenendo premuto il pulsante Reset per circa 3 secondi.



## Sostituzione della batteria

1. Aprire il vano batteria sul retro del telecomando premendo la linguetta di bloccaggio (passaggio 1) verso destra con il pollice, quindi estrarre il vano batteria (passaggio 2).
2. Rimuovere la vecchia batteria e inserire la nuova batteria (tipo CR2025.3V) rispettando la polarità corretta (passaggio 3).
3. Inserire una nuova batteria (tipo CR2025.3V).
4. Reinserire il vano batteria nel telecomando (passaggio 4).



Batteria (tipo CR2025)

## Precauzioni

1. Se non si utilizza il telecomando per un lungo periodo, rimuovere la batteria per evitare perdite che potrebbero danneggiare il telecomando.
2. Utilizzare il telecomando nella portata del purificatore d'aria
3. Se il telecomando non funziona correttamente, rimuovere la batteria e reinserirla dopo 30 secondi. Se il problema persiste, sostituire la batteria.

## Manutenzione

### Pulizia dell'esterno del purificatore d'aria

1. Spegnerne l'apparecchio e staccare la spina.
2. Utilizzare un panno morbido e umido per eliminare polvere e sporco dal dispositivo.
3. Assicurarsi che **non penetri acqua** nel dispositivo.

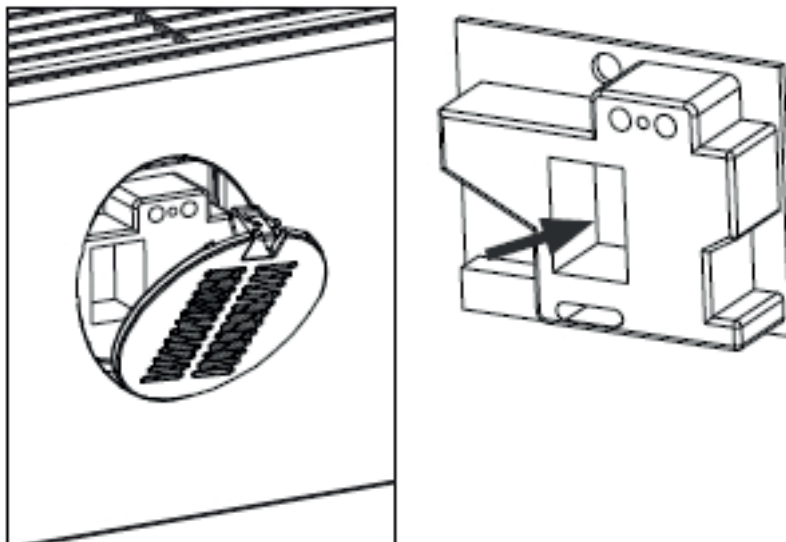
### Pulizia dell'Intelligent Particle Sensor™

#### **Pulire il sensore della qualità dell'aria ogni 6-8 settimane.**

Se il valore PM 2,5 viene visualizzato in modo errato, è possibile utilizzare un batuffolo di cotone per pulire la lente del sensore.

1. Rimuovere il coperchio del sensore.
2. Pulire la lente del sensore con un batuffolo di cotone e acqua, come indicato dalla freccia. Quindi asciugare la lente con un batuffolo di cotone pulito.
3. Installare il coperchio del sensore.
4. Non pulire la lente del sensore con alcol o altri solventi organici.

**Attenzione!** Se l'umidità nella stanza è molto elevata, c'è il rischio che si formi condensa sul sensore della qualità dell'aria. Ciò potrebbe causare l'indicazione dell'indicatore della qualità dell'aria (display digitale - misurazione delle particelle) che la qualità dell'aria è scarsa, mentre non dovrebbe essere così. In questo caso, ti consigliamo di pulire il sensore della qualità dell'aria o di non utilizzare il purificatore d'aria in modalità automatica.



## Sostituzione dei filtri

Il deumidificatore e purificatore d'aria intelligente **Clean Air Optima<sup>®</sup> CA-509Pro Smart** è dotato di un meccanismo di controllo della durata del filtro che segnala quando i filtri devono essere sostituiti dopo 2.000 ore di funzionamento. Per indicare che i filtri composti (**HEPA + filtro ai carboni attivi**) devono essere sostituiti, il purificatore d'aria emette una spia luminosa lampeggiante. Reimpostare il timer del filtro composto tenendo premuti contemporaneamente i pulsanti Velocità e Timer (per circa 3 secondi). Se la spia si spegne, il timer è stato reimpostato correttamente.

**A seconda dell'utilizzo, il filtro composto (HEPA + filtro ai carboni attivi) ha una durata di circa 6-8 mesi.**

### Pulizia del filtro

L'effetto migliore si ottiene pulendo i filtri una volta al mese. Se l'aria interna è estremamente inquinata, potrebbe essere necessaria una pulizia più approfondita.



Pulire il **prefiltro** e il **filtro HEPA** con una spazzola o con l'aspirapolvere. In questo modo è possibile rimuovere dal filtro le particelle di polvere più grandi, come lanugine, peli e forfora di animali domestici.

**Avvertenza!** Non bagnare o sciacquare mai i filtri composti (**filtro HEPA + filtro ai carboni attivi**) con acqua.

### Segnali di filtri esauriti

Aumento del rumore, riduzione del flusso d'aria, filtri intasati, aumento della presenza di odori. I filtri devono essere sostituiti quando il filtro HEPA cambia colore da bianco a grigio o nero. Se il filtro HEPA rimane bianco, NON è necessario sostituire il filtro.

### Come ordinare i filtri:

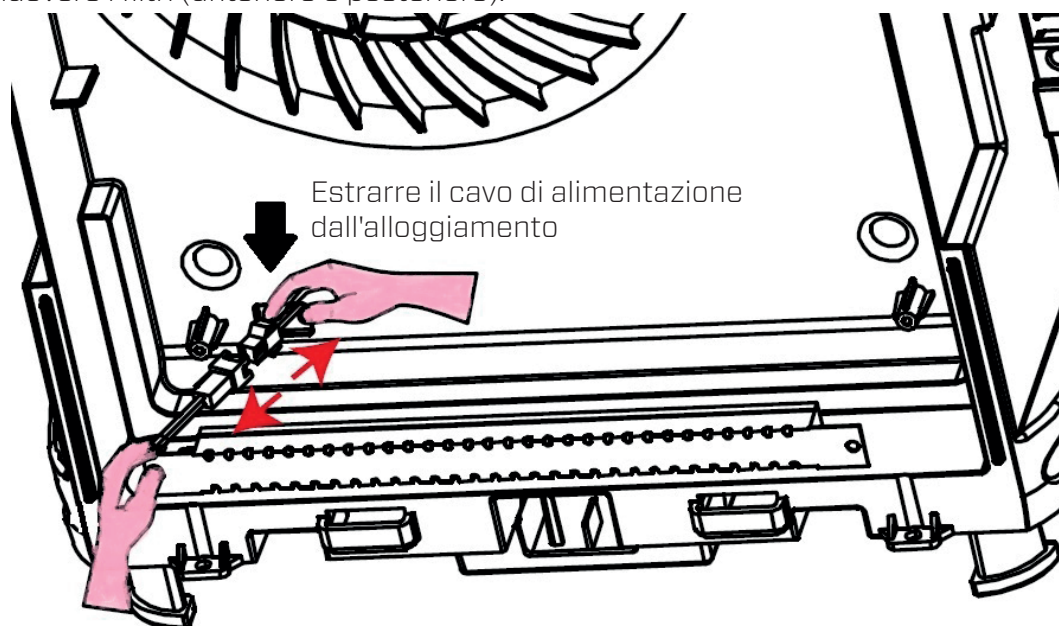
Contattare il servizio clienti Clean Air Optima tel. + 31 (0) 742670145 o visitare il nostro negozio online: <https://www.cleanairoptima.com>

## Sostituzione delle lampade UV LED (nella parte anteriore e posteriore dell'unità)

Entrambe le lampade LED UV del purificatore d'aria Clean Air Optima CA-509Pro Smart hanno una durata utile di 8.000 ore di funzionamento = 1 anno di funzionamento 24 ore su 24, 7 giorni su 7. Le lampade LED UV devono essere sostituite dopo 8.000 ore di funzionamento o quando la spia (UV) sul display si spegne.



1. Spegner l'apparecchio e staccare la spina dalla presa di corrente.
2. Premere i pulsanti di rilascio con entrambe le dita e rimuovere il coperchio anteriore e quello posteriore.
3. Rimuovere i filtri (anteriore e posteriore).



4. Utilizzare un cacciavite a croce e rimuovere le viti dalla protezione metallica di entrambe le lampade UV LED (anteriore e posteriore).
5. Tirare il cavo di alimentazione verso di sé, estraendolo dall'alloggiamento, finché non si vedono i connettori a spina. Sbloccare i connettori a spina, vedere figura.
6. Ora è possibile installare le nuove lampade UV LED. Dopo aver installato le lampade LED UV, la spia luminosa (UV) si accenderà nuovamente.

### Come ordinare le lampade UV LED:

Contattare il servizio clienti Clean Air Optima tel. + 31 (0) 742670145 o visitare il nostro negozio online: <https://www.cleanairoptima.com>

## Ricerca guasti

Quella che segue è una guida alla ricerca dei guasti per aiutare a risolvere eventuali problemi che potrebbe riscontrare durante l'utilizzo del purificatore d'aria intelligente **Clean Air Optima CA-509Pro Smart**.

Problema	Possibile causa	Soluzione
L'apparecchio non si accende	<p>Il cavo di alimentazione non è collegato correttamente</p> <p>Il cavo di alimentazione è rotto</p> <p>Il pannello anteriore o posteriore non è installato correttamente</p>	<p>Collegare correttamente la spina e la presa di corrente</p> <p>Sostituire il cavo di alimentazione</p> <p>Installare correttamente il pannello. Vedere capitolo: Modalità di utilizzo</p>
L'uscita dell'aria ha un cattivo odore	<p>Il filtro intrappola troppi odori o polvere</p> <p>La durata dei filtri è scaduta</p>	<p>Sostituire i filtri compositi</p> <p>Sostituire i filtri compositi</p>
Scarso effetto di purificazione	<p>Controllare se l'umidità nella stanza è troppo secca</p> <p>Il dispositivo è posizionato in una stanza non ventilata o circondata da ostacoli</p>	<p>Aumentare l'umidità</p> <p>Rimuovere gli ostacoli</p>
Il dispositivo non emette aria	L'ingresso o l'uscita dell'aria sono bloccati	Rimuovere gli ostacoli
Il telecomando non funziona	<p>Controllare se la batteria è installata</p> <p>Controllare se la batteria è installata correttamente</p> <p>Controllare la capacità della batteria</p> <p>Controllare che la distanza del telecomando superi la portata</p>	<p>Installare la batteria</p> <p>Installare la batteria correttamente</p> <p>Sostituire la batteria</p> <p>La portata è entro 5 metri dalla parte anteriore del dispositivo</p>
Il funzionamento con l'app Clean Air Optima® non funziona.	<p>Lo smartphone o il tablet non è connesso alla rete WiFi</p> <p>Il dispositivo non è connesso alla rete</p>	<p>Per ripristinare il dispositivo, tenere premuti contemporaneamente i pulsanti STAND e TIMER per tre secondi. L'indicatore WiFi lampeggerà. Quindi seguire i passaggi da 4 a 8 del capitolo "Funzionamento con l'app Clean Air Optima®".</p>

## AVVERTENZA!

Se le soluzioni consigliate sopra non funzionano, contattare il supporto tecnico Clean Air Optima al numero di telefono del proprio paese. Non tentare di smontare, rimontare o riparare l'apparecchio poiché ciò potrebbe invalidare la garanzia.

## Specifiche

Modello	CA-509Pro Smart
Per ambienti fino a	90 m <sup>2</sup> / 225 m <sup>3</sup> / 970 ft <sup>2</sup>
Tensione nominale	220 V - 240 V, 50 Hz/60 Hz
Potenza nominale	Max. 53 W
Capacità della ventola (CADR)	400 m <sup>3</sup> /h (particelle solide) - 100 m <sup>3</sup> /h (formaldeide)
Prestazioni del filtro	99,97%
Tasso di sterilizzazione	99,9%
Ione negativo	2.000.000 ioni/cm <sup>2</sup>
Livello sonoro	Ventola silenziosa < 20 dB(A) Bassa 1 / 35 dB(A) Media 2 / 55 dB(A) Turbo 3
Dimensioni	560 x 320 x 210 mm
Peso	7,5 kg
Colore	Living white
Conforme alle normative UE	CE/RAEE/RoHS

**Richiedere al rivenditore o al comune di residenza informazioni aggiornate circa lo smaltimento dell'imballo e dell'elettrodomestico.**



## Assistenza

### Certificato di garanzia per il purificatore d'aria intelligente Clean Air Optima CA-509Pro Smart.

Data di acquisto: .....  
Nominativo cliente: .....  
Indirizzo: .....  
Telefono: .....  
E-mail: .....  
Nome del venditore: .....  
Indirizzo: .....

1. Si prega di compilare il presente Certificato di Garanzia in ogni sua parte. Inviarlo al distributore insieme alla fattura e all'elettrodomestico, con spedizione prepagata e utilizzando la scatola di imballaggio originale. Si accerti di includere l'affrancatura di restituzione appropriata per il pacco.
2. Si prega di allegare una breve descrizione del danno, guasto o malfunzionamento e le circostanze in cui si sono verificati tali problemi.

Il **purificatore d'aria intelligente Clean Air Optima CA-509Pro Smart** è sottoposto a rigorose procedure di test prima di lasciare la fabbrica. Se entro due anni dalla data di acquisto il prodotto non funziona secondo le specifiche, a causa di difetti di fabbrica, l'acquirente ha diritto alla riparazione gratuita o alla sostituzione di parti dietro presentazione della presente garanzia (a condizione che il malfunzionamento o il danneggiamento del dispositivo e/o parti siano avvenute in condizioni operative normali). Cosa è coperto: Tutte le parti difettose nei materiali e nella lavorazione. Per quanto tempo: due anni dalla data di acquisto. Cosa faremo: Ripareremo o sostituiremo eventuali parti difettose.  
Esclusioni: sostituzione regolare dei filtri.

#### Altre condizioni

Le disposizioni della presente garanzia sostituiscono qualsiasi altra garanzia scritta, espressa o implicita, scritta o orale, inclusa qualsiasi garanzia di commerciabilità o idoneità per uno scopo particolare. La responsabilità massima del produttore non supererà il prezzo di acquisto effettivo da lei corrisposto per il prodotto. In nessun caso il produttore sarà responsabile per danni speciali, incidentali, consequenziali o indiretti. La presente garanzia non copre difetti derivanti da uso o manutenzione impropri o irragionevoli, assemblaggio difettoso, incidenti, catastrofi naturali, imballaggio improprio o manomissione, alterazione o modifica non autorizzata come determinato esclusivamente da noi. La presente garanzia è nulla se l'etichetta riportante il numero di serie è stata rimossa o danneggiata.

# Grazie per aver letto quanto sopra!



Condividi il suo feedback sul purificatore d'aria  
Clean Air Optima CA-509Pro Smart su:  
[www.cleanairoptima.com](http://www.cleanairoptima.com)



Per le domande frequenti sul CA-509Pro Smart, consultare il nostro  
sito web: [www.cleanairoptima.com](http://www.cleanairoptima.com) e cercare CA-509Pro Smart.



Scarichi il manuale di istruzioni in PDF su:  
[www.cleanairoptima.com/info/manuals](http://www.cleanairoptima.com/info/manuals)



Guardi tutti i video del prodotto  
Clean Air Optima su:  
[www.youtube.com](http://www.youtube.com)

**Clean Air Optima International BV** | Rientjesoven 26 | 7621 HG Borne  
Paesi Bassi | Telefono: +31 (0)74 - 2670145

**Clean Air Optima Germania GmbH** | Enschedestraße 14 | 48529 Nordhorn |  
Germania | Telefono: +49 (0) 5921 879-121

**E-mail:** [info@cleanairoptima.com](mailto:info@cleanairoptima.com)

**Internet:** [www.cleanairoptima.com](http://www.cleanairoptima.com)

## Polski

### **Dziękujemy za zakup inteligentnego oczyszczacza powietrza Clean Air Optima CA-509Pro Smart.**

Życzymy wieloletniego korzystania z tego wydajnego i skutecznego produktu, który zapewnia zdrowe powietrze w pomieszczeniach.

W celu zapewnienia prawidłowego działania niniejszego urządzenia elektrycznego podczas jego użytkowania muszą być przestrzegane wszystkie środki ostrożności. W niniejszej instrukcji obsługi opisano zasady bezpieczeństwa, których należy przestrzegać podczas użytkowania. Mają one na celu zapobieganie urazom i uniknięcie uszkodzenia urządzenia.

### **Przed użyciem nowego inteligentnego oczyszczacza powietrza Clean Air Optima CA-509Pro Smart.**

Najpierw zdjąć uszczelkę z filtrów, patrz strona 5. Sposób użytkowania

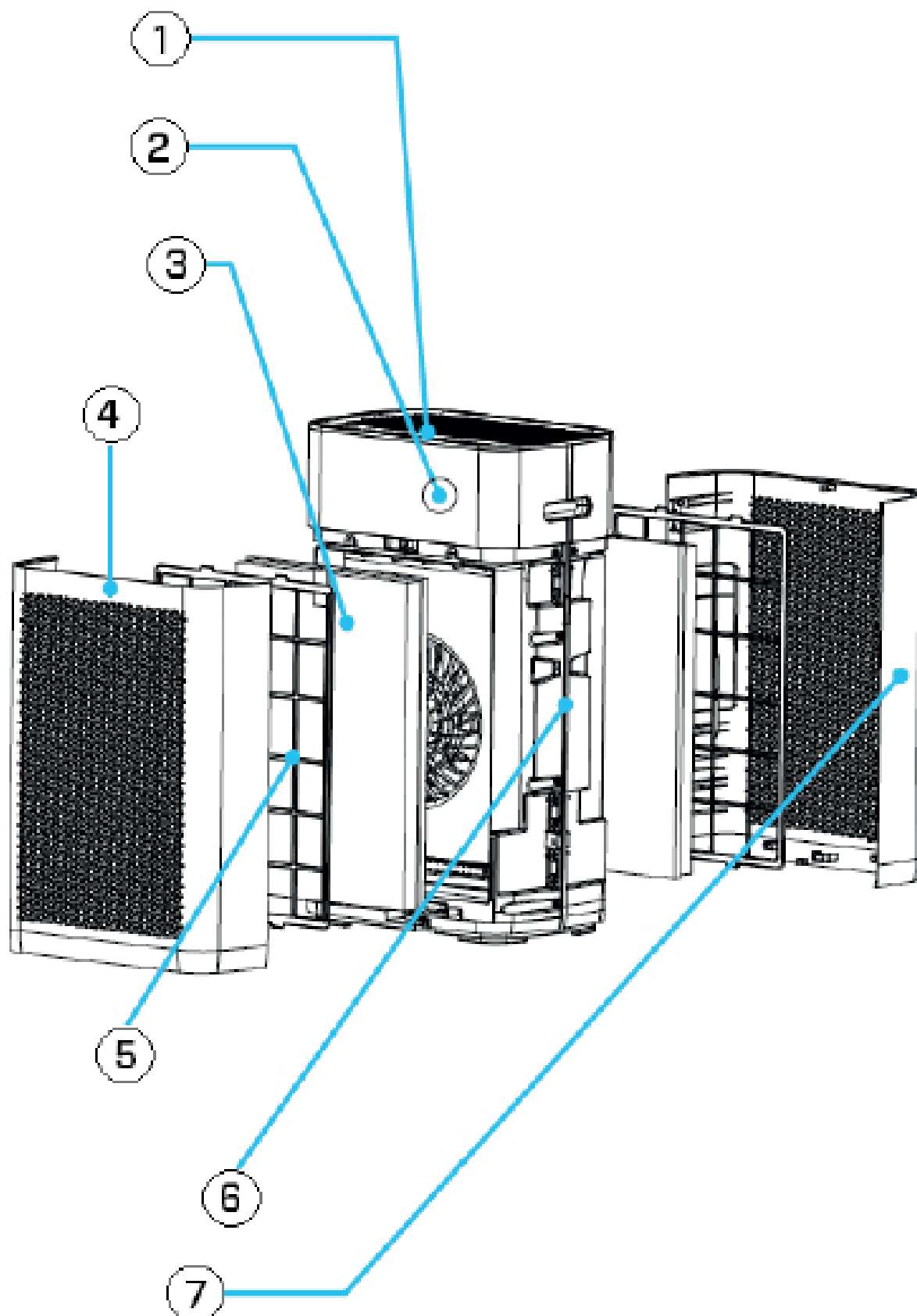


### **Opis urządzenia**

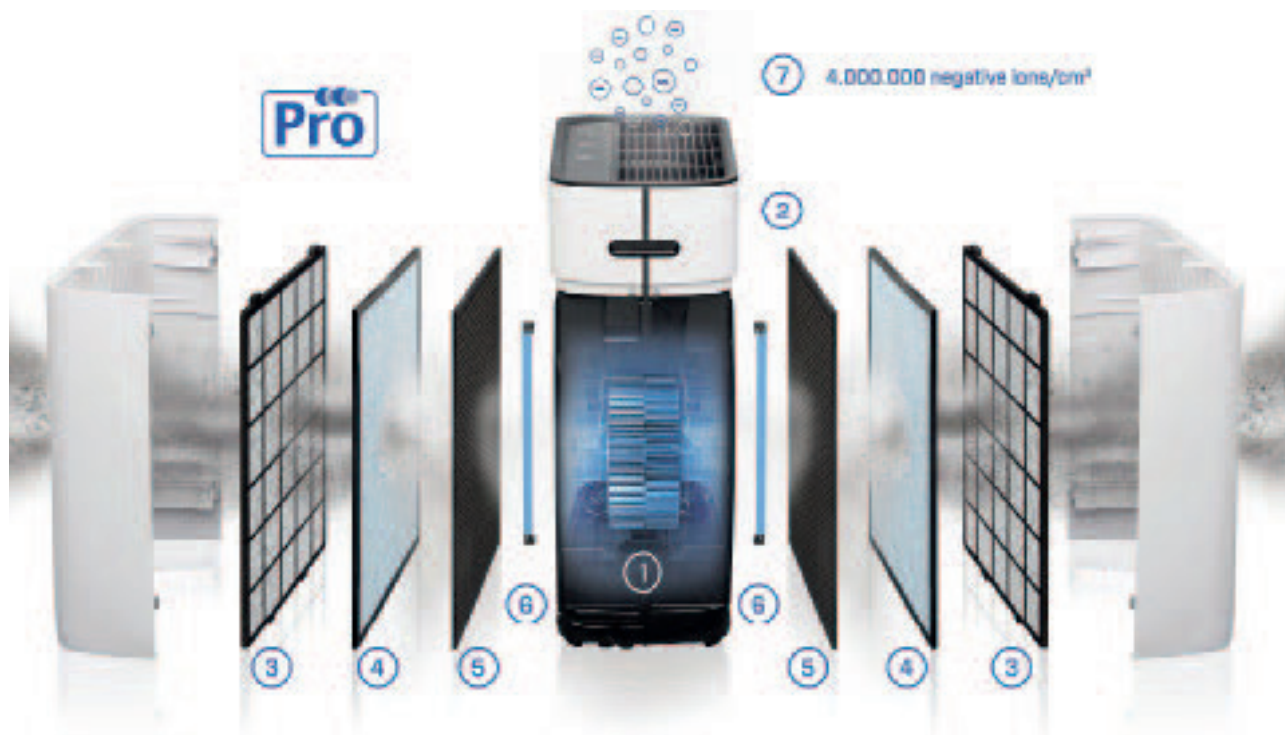
Urządzenie składa się z następujących elementów podstawowych:

1. Panel sterowania
2. Cyfrowe monitorowanie jakości powietrza w pomieszczeniu
  - pomiar cząstek PM<sub>2,5</sub>
  - względna wilgotność powietrza w %
  - temperatura w °C
3. Filtr kompozytowy: Filtr TRUE HEPA i z węglem aktywnym
4. Panel przedni
5. Filtr wstępny
6. Główna część oczyszczacza powietrza
7. Panel tylny

## CA-509Pro Smart/ Jednostka główna



## Podwójny system przepływu powietrza - Podwójny system filtrów - Podwójny jonizator zapewniający podwójne oczyszczanie powietrza!



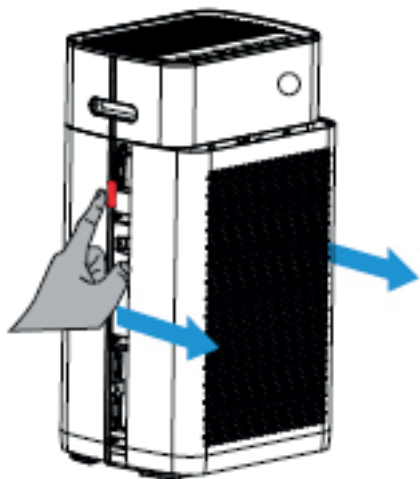
1. Podwójny wentylator
2. Intelligent Particle Sensor™
3. Filtr wstępny
4. Filtr HEPA Nano-Zilver True
5. Filtr z węglem aktywnym
6. Lampa diodowa emitująca światło ultrafioletowe
7. Podwójny jonizator

## Ostrzeżenia dotyczące bezpieczeństwa

Urządzenia można używać wyłącznie zgodnie z tymi instrukcjami bezpieczeństwa. Wykonać następujące czynności, aby zminimalizować ryzyko odniesienia obrażeń ciała, na przykład spowodowanych porażeniem prądem elektrycznym lub pożarem.

1. Urządzenie jest przeznaczone tylko do użytku w pomieszczeniach. Nie używać ani nie przechowywać na zewnątrz.
2. To urządzenie nie jest przeznaczone do użytkowania przez dzieci lub osoby o ograniczonych zdolnościach fizycznych, sensorycznych lub psychicznych, chyba że znajdują się one pod nadzorem osoby odpowiedzialnej za bezpieczeństwo.
3. Jeśli widoczne są uszkodzenia przewodu zasilającego lub urządzenia, nie należy z niego korzystać. W przypadku uszkodzenia urządzenia nie należy naprawiać go samodzielnie. Nigdy nie należy ciągnąć urządzenia za przewód. Jeżeli przewód zasilający jest uszkodzony, musi zostać wymieniony przez autoryzowanego serwisanta, aby uniknąć porażenia prądem lub pożaru.
4. Napraw mogą dokonywać wyłącznie autoryzowani pracownicy serwisu. Nie próbować samodzielnie naprawiać urządzenia, ponieważ grozi to porażeniem prądem lub pożarem.
5. Zawsze odpinać wtyczkę z kabla, gdy urządzenie nie jest używane.
6. Stosować wyłącznie przewody zasilające dostarczone w zestawie.
7. Kiedy urządzenie nie jest użytkowane albo podczas czyszczenia jego wewnętrznych lub zewnętrznych części, należy odłączyć wtyczkę.
8. Dla bezpieczeństwa ustawić urządzenie stabilnie i poziomo. Nie przesuwaj go podczas eksploatacji.
9. Nie należy użytkować urządzenia w pomieszczeniach, w których przechowywane są łatwopalne ciecze lub gazy, w pobliżu źródeł ciepła lub w bardzo wilgotnych pomieszczeniach, takich jak łazienka.
10. Nie wolno wkładać żadnych przedmiotów do korpusu urządzenia, ponieważ grozi to uszkodzeniem.
11. Nie wolno zasłaniać kratki wlotu i wylotu powietrza.
12. Nie wolno rozkładać ani wymieniać części wewnętrznych urządzenia.
13. Jeżeli urządzenie działa, nie wolno dotykać kratki wlotu i wylotu powietrza ani nie należy wkładać uchwytów bądź innych obiektów w wylot powietrza, aby uniknąć obrażeń ciała lub uszkodzeń oczyszczacza powietrza.
14. Aby nie blokować kratki wlotu i wylotu powietrza oczyszczacza powietrza, nie wolno układać przedmiotów nad pokrywą przednią oczyszczacza powietrza lub w jej pobliżu.
15. Nie stawiać ciężkich przedmiotów na urządzeniu.
16. Unikać miejsc narażonych na bezpośrednie nasłonecznienie. Zachodzi ryzyko odbarwienia urządzenia.
17. Nie zanurzać urządzenia w wodzie ani innych cieczach.
18. Nie dotykać przewodu zasilającego mokrymi rękami.
19. Regularnie czyścić filtr wstępny – jeżeli filtr wstępny jest nasycony pyłem, spowoduje to słaby efekt czyszczenia. Zużycie energii zwiększy się i może doprowadzić do awarii.
20. Normalne warunki użytkowania urządzenia to od 0 °C do 40 °C.
21. Użytkowanie, konserwowanie i czyszczenie urządzenia należy realizować zgodnie z zaleceniami w niniejszej instrukcji obsługi.

## Sposób użytkowania (instalacja filtra z przodu i z tyłu)



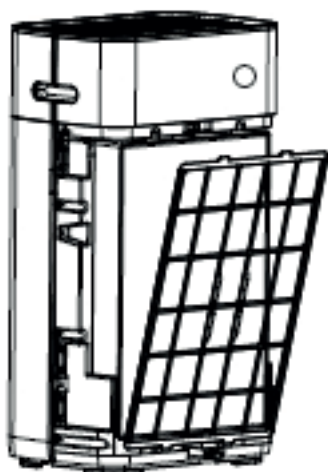
### 1. Demontaż panelu

Nacisnąć czerwoną ikonę wskaźnika z lewej i z prawej strony oczyszczacza powietrza dwoma palcami, patrz rysunek. Pociągnąć panel do siebie zgodnie z kierunkiem niebieskich strzałek.



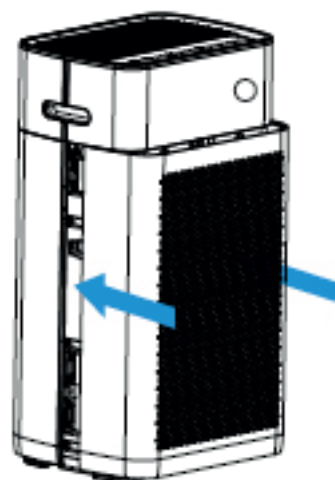
### 2. Instalacja filtra kompozytowego

Wyjąć uszczelkę z filtrów. Włożyć filtry ponownie do urządzenia. Kurek na spodzie i na górze musi być widoczny od przodu (strona HEPA od filtra jest widoczna).



### 3. Instalacja filtra wstępnego

Zainstalować filtr wstępny czarnym wybrzuszeniem na zewnątrz. Włożyć dolną część w dolne gniazdo i delikatnie przesunąć (ze strzałkami) do górnego gniazda.

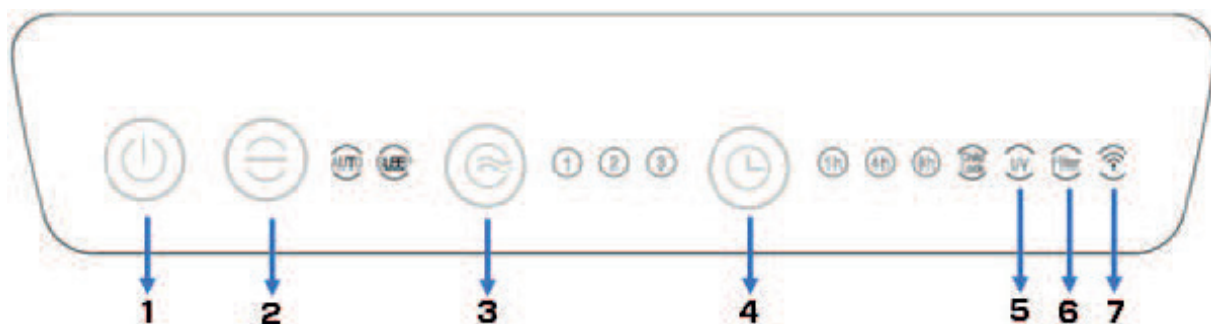


### 4. Instalowanie panelu

Przesunąć panel przedni równoległe wzdłuż górnej i dolnej krawędzi w kierunku wskazanym kolorem niebieskim, patrz rysunek. Kliknięcie oznacza, że panel został zainstalowany.

Urządzenie należy umieścić w odległości przynajmniej 30 cm od ścian i mebli, aby uzyskać odpowiedni przepływ powietrza. Upewnić się, że wloty i wyloty powietrza nie są zablokowane.

## Panel sterowania / instrukcja obsługi



### 1 Przycisk zasilania

Naciśnięcie przycisku zasilania powoduje włączenie i wyłączenie urządzenia. (Trybem domyślnym po włączeniu urządzenia jest tryb Automatyczny).

### 2 Tryb

Naciśnięcie przycisku Trybu umożliwia wybranie funkcji Automatycznej i Uśpienia.

W ustawieniu **Automatycznym** zintegrowany czujnik inteligentny (Intelligent Particle Sensor™) automatycznie mierzy i reguluje jakość powietrza. Prędkość wentylatora sterowanego czujnikiem jest automatycznie przełączana w jeden z 3 trybów, odpowiednio do stopnia zanieczyszczenia powietrza w pomieszczeniu przez cząstki PM2,5.

W ustawieniu **Uśpienie** kontrolka się świeci. Kontrolka oraz wyświetlacz cyfrowy gasną po 5 sekundach. Nacisnąć dowolny klawisz, aby kontrolka i wyświetlacz cyfrowy pojawiły się ponownie. Kontrolka i monitor cyfrowy zgasną ponownie po 5 sekundach. (Wentylator pracuje z najniższą prędkością).

### 3 Prędkość

Po naciśnięciu przycisku Prędkość zmienia się poziom prędkości. 3 prędkości wentylatora umożliwiają dostosowanie przepływu powietrza. (1-2-3 oznacza wzrost prędkości wentylacji).

### 4 Minutnik

Nacisnąć przycisk Minutnik, aby ustawić automatyczne wyłączenie po upływie 1, 4 i 8 godz. Wybrana liczba godzin jest wskazana na wyświetlaczu urządzenia.

### 5 Lampa LED UV

Żarówki LED UV należy wymienić po 8000 godzin pracy lub po zgaśnięciu wskaźnika światła (UV).

### 6 Filtr

Jeżeli kontrolka miga, filtr kompozytowy (HEPA i z węglem aktywnym) musi zostać wymieniony. Okres eksploatacji filtra kompozytowego wynosi 2000 godzin.

### 7. Wi-Fi

Wskaźnik Wi-Fi

### 2+3 Blokada rodzicielska

Blokada rodzicielska chroni przed niepożądanym użyciem urządzenia.

Blokada rodzicielska jest włączana/wyłączana przez jednoczesne naciśnięcie przycisków Tryb i Prędkość. Zaświeci się kontrolka blokady rodzicielskiej.

### 3 + 4 Reset filtra

Minutnik filtra kompozytowego resetuje się po naciśnięciu i przytrzymaniu przycisków Prędkość i Minutnik (przez mniej więcej 3 sekundy). Zgaśnięcie kontrolki oznacza, że minutnik został pomyślnie zresetowany.

## Monitor cyfrowy

Monitor cyfrowy na przodzie oczyszczacza powietrza CA-509Pro Smart wskazuje automatycznie i dokładnie aktualną jakość powietrza na podstawie pomiaru poziomu cząstek PM<sub>2,5</sub> oraz wilgotności i temperatury w pomieszczeniu.



**Zielony** – dobrze:  
0–80 ug/m<sup>3</sup>

**Niebieski** – średnio:  
80–150 ug/m<sup>3</sup>

**Czerwony** – źle:  
150 ug/m<sup>3</sup> lub więcej

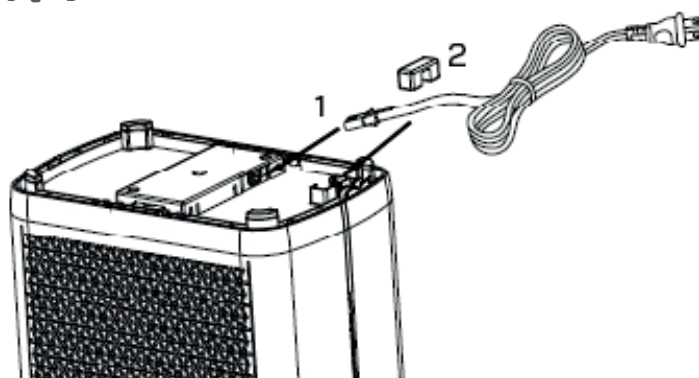
Cząstki stałe o wielkości do 10 µm (PM<sub>10</sub>) i poniżej 2,5 µm (PM<sub>2,5</sub>) mogą się przedostać do płuc i stanowią 1 z 10 największych zagrożeń dla ludzkiego zdrowia. Te niewielkie cząstki powstają w typowych procesach domowych, takich jak gotowanie, pieczenie, smażenie, palenie tytoniu i ogrzewanie, a także są przekazywane w dużych ilościach do powietrza w pomieszczeniach ze względu na transport, przemysł, prace budowlane, materiały biologiczne (pyłki, bakterie, roztocza i wirusy), cząstki importowane z innych źródeł (np. samoloty), gazy spalinowe i erupcje wulkanów.

Alergeny, takie jak pyłki i kurz, każdej wiosny powodują poważne i długotrwałe zagrożenia dla zdrowia milionów ludzi. Ta liczba stale rośnie.

Pomiar wilgotności względnej i temperatury

Ważnym aspektem w skutecznym oczyszczaniu powietrza jest utrzymywanie wilgotności względnej w zakresie 45–60% i temperatury pokojowej w zakresie 20–23°C

## Przewód zasilający



1. Usunąć klej przewodu zasilającego ze spodu urządzenia i włożyć jego koniec w gniazdo na spodzie urządzenia (jak pokazano na rys. 1).
2. Włożyć kabel zasilania w gniazdo przewodów i zamocować klejem do dociskania przewodów (jak pokazano na rys. 2).

## Obsługa przy pomocy aplikacji Clean Air Optima<sup>®</sup>



### Łączność

**Kompatybilność ze smartfonem i tabletem:**  
urządzenia iPhone, iPad i Android

**Urządzenie łączy się z aplikacją przez Wi-Fi:**  
CleanAirOptima

**Uwaga:** Router musi być ustawiony na łącze szerokopasmowe 2,4 GHz. Jeśli router jest ustawiony na 5,0 GHz, nawiązanie połączenia jest niemożliwe.

### Konfiguracja połączenia Wi-Fi

1. Pobrać i zainstalować aplikację „CleanAirOptima” ze sklepu App Store lub Google Play Store.
2. Założyć konto i zalogować się.
3. Podłączyć urządzenie do gniazdka elektrycznego i włączyć je. Zapali się wskaźnik Wi-Fi.
4. Router musi być ustawiony na łącze szerokopasmowe 2,4 GHz. Jeśli router jest ustawiony na 5,0 GHz, nawiązanie połączenia jest niemożliwe.
5. Upewnij się, że Bluetooth jest włączony w Twoim smartfonie.
6. Upewnić się, że smartfon lub tablet jest pomyślnie połączony z siecią Wi-Fi.
7. Otworzyć aplikację „CleanAirOptima” i kliknąć „Dodaj urządzenie” . Urządzenie znajduje się na liście i można je wybrać. Jeśli nie, wybrać opcję „Automatyczne skanowanie”. Postępować zgodnie z instrukcjami wyświetlanymi na ekranie, aby podłączyć urządzenie do sieci.
8. Wybrać w celu dodania urządzenia Clean Air Optima<sup>®</sup> w aplikacji. Postępować zgodnie z instrukcjami w aplikacji.
9. Gdy urządzenie jest sparowane, kontrolka Wi-Fi  świeci stałym światłem.
10. Po pomyślnej konfiguracji można użyć aplikacji Clean Air Optima<sup>®</sup> do obsługi urządzenia.

### Uwaga:

- Jeśli domyślna sieć uległa zmianie, należy zresetować połączenie Wi-Fi i wykonać kroki od 3 do 8 z sekcji „Konfiguracja połączenia Wi-Fi”.
- Jeśli chcemy sparować wiele urządzeń ze smartfonem lub tabletem, trzeba sparować je jedno po drugim.
- Upewnić się, że odległość między smartfonem lub tabletem a urządzeniem jest mniejsza niż 5 metrów i nie ma żadnych przeszkód. Upewnić się również, że użytkownik znajduje się w tym samym pomieszczeniu co urządzenie.

### Zresetować funkcję Wi-Fi:

- Zresetować Wi-Fi, naciskając przycisk „Mode” i „Timer” przez 3 sekund. Wskaźnik Wi-Fi zacznie szybko migać.



## Podłączaj urządzenia do wielu telefonów

Uwaga: Najpierw jedna z osób musi zainstalować aplikację Clean Air Optima® na telefonie i utworzyć nowe konto.

### Udostępnianie urządzenia z ograniczonym dostępem:

Możesz udostępnić 1 urządzenie kilku osobom.

Będą one wówczas miały zapewniony dostęp, ale nie będą mogły zmieniać wszystkich ustawień.

Postępuj zgodnie z poniższymi instrukcjami, by udostępnić urządzenie kilku osobom:

1. Przejdź do danego urządzenia.
2. Przejdź do ołówka albo trzech kropek w górnym prawym rogu.
3. Wybierz „Share device” („Udostępnij urządzenie”).
4. Wybierz „Add sharing” („Dodaj udostępnianie”).
5. Wybierz metodę udostępniania np. za pośrednictwem poczty elektronicznej, aplikacji WhatsApp, wiadomości SMS itd. i kontynuuj.
6. Urządzenie pojawi się automatycznie w aplikacji Clean Air Optima® z drugim kontem.

### Udostępnianie urządzenia z pełnym dostępem:

Możesz zapewnić co najmniej jednej osobie możliwość zarządzania domem.

Taka osoba będzie miała wówczas dostęp do wszystkich Twoich urządzeń, które są już połączone, oraz wszystkie uprawnienia. Zawsze pozostaniesz administratorem głównym.

Postępuj zgodnie z poniższymi instrukcjami, aby zapewnić komuś możliwość zarządzania domem.

1. Otwórz aplikację Clean Air Optima® i przejdź do „Me” („Moje konto”).
2. Następnie wybierz „Home Management” („Zarządzanie domem”).
3. Wybierz „Create a home” („Utwórz dom”).
4. Wybierz odpowiedni „Home” („Dom”) i „Add member” („Dodaj członka”).
5. Wybierz metodę udostępniania np. za pośrednictwem poczty elektronicznej, aplikacji WhatsApp, wiadomości SMS itd. i kontynuuj.
6. Odpowiedni „Home” automatycznie pojawi się w aplikacji Clean Air Optima® osoby, która uzyskała dostęp do Twojego „Home” („Dom”).
5. Na drugim koncie:  
Przejdź do ekranu domowego z aplikacji Clean Air Optima®. W górnym lewym rogu wybierz „Home” („Dom”).

## Pilot

### WŁ./WYŁ.

Naciśnięcie przycisku zasilania powoduje włączenie i wyłączenie urządzenia. (Trybem domyślnym po włączeniu urządzenia jest tryb Automatyczny).

### Prędkość

Po naciśnięciu przycisku Prędkość zmienia się poziom prędkości. 3 prędkości wentylatora umożliwiają dostosowanie przepływu powietrza.

### Minutnik

Nacisnąć przycisk Minutnik, aby ustawić automatyczne wyłączenie po upływie 1, 4 i 8 godz.

### Blokada rodzicielska

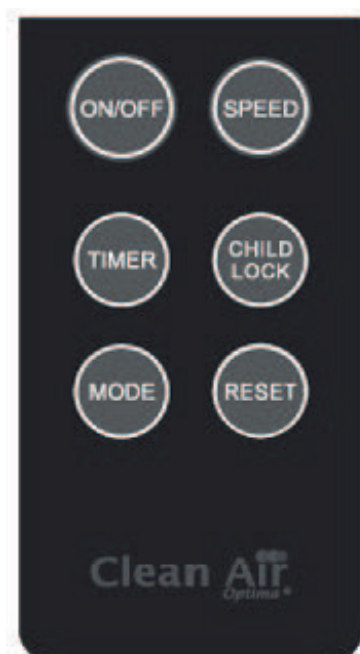
Blokada rodzicielska jest włączana/wyłączana przez naciśnięcie przycisku Blokada rodzicielska przez mniej więcej 3 sekundy.

### Tryb

Nacisnąć przycisk trybu do przełączenia między funkcją Tryb i Uśpienie.

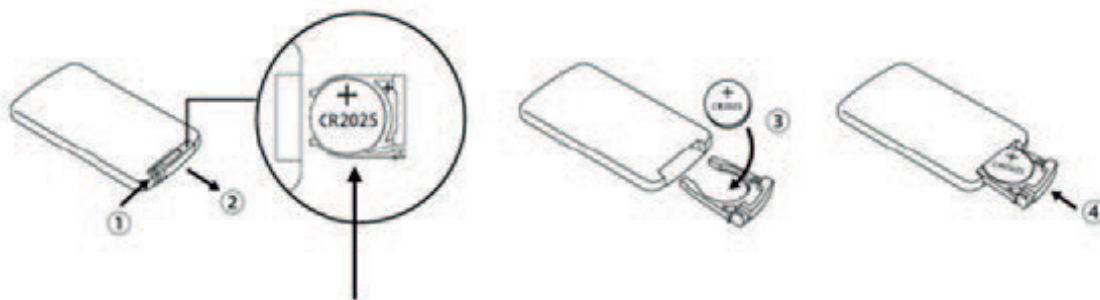
### Reset

Minutnik filtra kompozytowego resetuje się po naciśnięciu i przytrzymaniu przycisku Reset przez mniej więcej 3 sekundy.



## Wymiana baterii

1. Otworzyć uchwyt baterii z tyłu pilota, wciskając kciukiem wypustkę blokującą (krok 1) w prawą stronę, a następnie wyciągnąć uchwyt baterii (krok 2).
2. Wyjąć starą baterię i włożyć nową (typu CR2025.3V) z zachowaniem prawidłowej biegunowości (krok 3).
3. Włożyć nową baterię (typu CR2025.3V).
4. Wcisnąć ponownie uchwyt baterii w pilota (krok 4).



Baterię (typu CR2025)

## Środki ostrożności

1. Jeżeli pilot nie jest używany przez dłuższy czas, należy wyjąć baterię, aby nie dopuścić do wycieków i uszkodzenia pilota.
2. Używać pilota zgodnie z zakresem zastosowania oczyszczacza powietrza
3. Jeżeli pilot nie działa prawidłowo, należy wyjąć baterię i włożyć ją ponownie po 30 sekundach. Jeżeli nadal nie działa prawidłowo, należy wymienić baterię.

## Konserwacja

### Czyszczenie zewnętrznej części oczyszczacza powietrza

1. Wyłączyć urządzenie i odłączyć wtyczkę.
2. Wyczyścić urządzenie z kurzu i brudu przy użyciu nawilżonej miękkiej szmatki.
3. Zachować ostrożność, aby do urządzenia **nie przedostała** się woda.

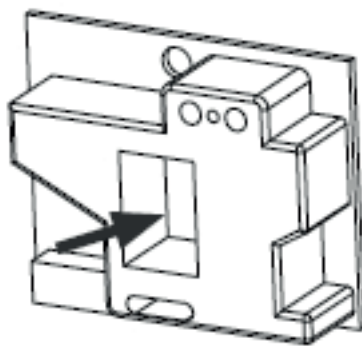
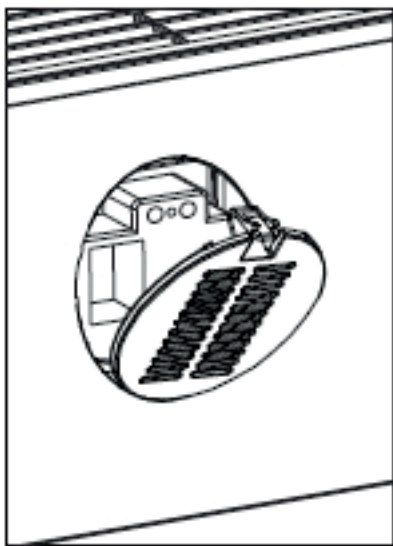
### Czyszczenie czujnika Intelligent Particle Sensor™

#### Czyścić czujnik jakości powietrza co 6–8 tygodni.

Jeżeli wartość PM<sub>2,5</sub> jest wyświetlana nieprawidłowo, można użyć wacika do wyczyszczenia soczewki czujnika.

1. Zdjąć pokrywę czujnika.
2. Wyczyścić soczewkę czujnika wacikiem i wodą zgodnie ze wskazaniem strzałki. Następnie wytrzeć soczewkę czystym wacikiem.
3. Założyć pokrywę czujnika.
4. Nie przecierać soczewki czujnika alkoholem ani rozpuszczalnikiem organicznym.

**Uwaga!** Jeżeli wilgotność w pomieszczeniu jest bardzo wysoka, występuje ryzyko kondensacji na czujniku jakości powietrza. Może to spowodować, że wskaźnik jakości powietrza (wyświetlacz cyfrowy – pomiar cząstek) wskaże niską jakość powietrza niezgodnie z prawdą. W takim przypadku zalecane jest wyczyszczenie czujnika jakości powietrza lub nieużywanie oczyszczacza powietrza w trybie automatycznym.



## Wymiana filtrów

Inteligentny **oczyszczacz powietrza Clean Air Optima CA-509Pro Smart** jest wyposażony w układ kontrolowania trwałości filtrów, który sygnalizuje konieczność wymiany filtrów po 2000 godzin pracy. Aby zasignalizować konieczność wymiany filtrów kompozytowych (**HEPA + z węglem aktywnym**), kontrolka oczyszczacza powietrza miga. Minutnik filtra kompozytowego resetuje się po naciśnięciu i przytrzymaniu przycisków Prędkość i Minutnik (przez mniej więcej 3 sekundy). Zgaśnięcie kontrolki oznacza, że minutnik został pomyślnie zresetowany.

**W zależności od zastosowania filtry kompozytowe (HEPA + z węglem aktywnym) mają okres eksploatacji wynoszący około 6-8 miesięcy.**

### Czyszczenie filtrów

Najlepszy efekt można osiągnąć, czyszcząc filtry raz w miesiącu. Jeżeli powietrze w pomieszczeniu jest bardzo zanieczyszczone, może być konieczne częstsze czyszczenie.



Czyścić **filtr wstępny** i **filtr HEPA** szczotką lub odkurzaczem. W ten sposób większe cząstki kurzu, takie jak kłaczki, włosy i łupież zwierząt domowych, mogą zostać usunięte z filtra.

**Ostrzeżenie!** Nigdy nie moczyć ani nie myć filtrów kompozytowych (**HEPA + z węglem aktywnym**) wodą.

### Oznaki zużycia filtrów

Zwiększony hałas, zredukowany przepływ powietrza, zatkane filtry, coraz bardziej odczuwalne nieprzyjemne zapachy. Kiedy filtr HEPA zmieni kolor z białego na szary lub czarny, należy go wymienić na nowy. Jeżeli filtr HEPA pozostaje biały, NIE trzeba go wymieniać.

### Sposób zamawiania filtrów:

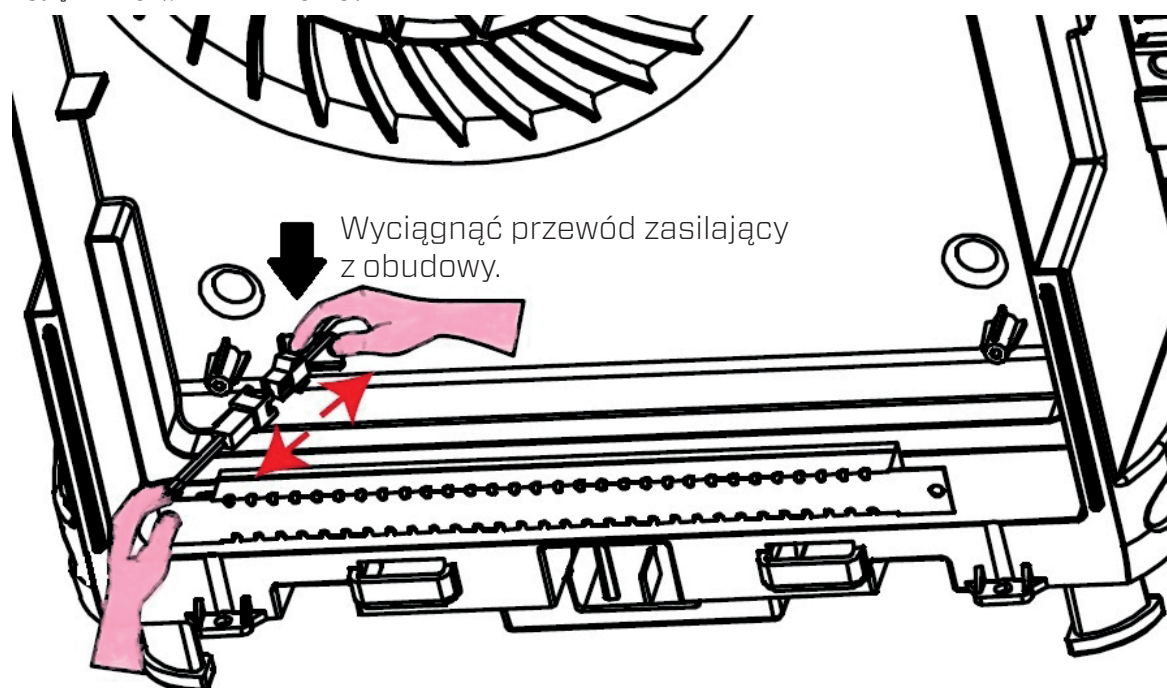
Należy się skontaktować z działem obsługi klienta Clean Air Optima pod numerem telefonu + 31 (0) 742670145 lub odwiedzić nasz sklep internetowy: <https://www.cleanairoptima.com>

## Wymiana żarówek LED UV (z przodu i z tyłu urządzenia)

Obie żarówki LED UV oczyszczacza powietrza Clean Air Optima CA-509Pro Smart mają okres eksploatacji 8000 godzin roboczych, tj. jeden rok ciągłego użytkowania. Żarówki LED UV należy wymienić po 8000 godzin pracy lub po zgaśnięciu wskaźnika światła (UV).



1. Wyłączyć urządzenie i odłączyć wtyczkę od gniazda.
2. Nacisnąć przycisk zwalniający dwoma palcami, a następnie zdjąć przednią i tylną pokrywę.
3. Wyjąć filtry (przedni i tylny).



4. Użyć wkrętaka z końcówką Philips, aby wykręcić śruby z metalowej osłony obu żarówek LED UV (z przodu i z tyłu).
5. Wyciągać przewód zasilający z obudowy, pociągając ku sobie, aż pokażą się złącza. Odczepić złącza. Patrz rysunek.
6. Włożyć nowe żarówki LED UV. Po zamocowaniu żarówek LED UV wskaźnik światła (UV) zaświeci ponownie.

### Zamawianie żarówek LED UV:

Skontaktować się z obsługą klienta firmy Clean Air Optima pod numerem telefonu + 31 (0) 742670145 lub odwiedzić sklep internetowy:

<https://www.cleanairoptima.com>

## Rozwiązywanie problemów

Poniżej przedstawiono informacje, które są pomocne w rozwiązywaniu wszelkich problemów z użytkowaniem **inteligentnego oczyszczacza powietrza Clean Air Optima CA-509Pro Smart**.

Usterka	Możliwa przyczyna	Rozwiązanie
Urządzenie się nie włącza	Przewód zasilający podłączony nieprawidłowo	Wsunąć prawidłowo wtyczkę przewodu zasilającego do gniazda zasilania
	Przewód zasilający jest uszkodzony	Wymienić przewód zasilający
	Panel przedni lub tylny nie jest założony prawidłowo	Założyć prawidłowo panel Patrz rozdział: Sposób użytkowania
Z wylotu powietrza czuć nieprzyjemny zapach	Filtr wchłania za dużo zapachów lub kurzu	Wymienić filtry kompozytowe
	Okres eksploatacji filtra upłynął	Wymienić filtry kompozytowe
Słaby efekt oczyszczania	Sprawdzić, czy wilgotność w pomieszczeniu nie jest za niska	Zwiększyć wilgotność
	Urządzenie jest ustawione w niewentylowanym pomieszczeniu lub otoczone przez przeszkody	Usunąć przeszkody
Brak wydmuchu powietrza z urządzenia	Wlot lub wylot powietrza jest zablokowany	Usunąć przeszkody
Pilot nie działa	Sprawdzić, czy włożona jest bateria	Włożyć baterię
	Sprawdzić, czy bateria jest włożona prawidłowo	Włożyć baterię prawidłowo
	Sprawdzić pojemność baterii	Wymienić baterię
	Sprawdzić, czy odległość pilota nie przekracza zakresu	Zakres wynosi 5 metrów od przedniej strony urządzenia
<b>Obsługa przy pomocy aplikacji Clean Air Optima® nie działa</b>	Smartfon lub tablet nie jest podłączony do sieci Wi-Fi  Urządzenie nie ma połączenia z siecią	Zresetuj urządzenie, naciskając jednocześnie i przytrzymując przyciski STAND oraz TIMER przez trzy sekundy. Zapali się wskaźnik Wi-Fi. Następnie wykonaj kroki 4–8 opisane w rozdziale <b>Obsługa przy pomocy aplikacji Clean Air Optima®</b> .

## OSTRZEŻENIE!

Jeśli zalecane rozwiązania wyszczególnione powyżej nie przynoszą rezultatów, należy się skontaktować telefonicznie z lokalnym działem pomocy technicznej firmy Clean Air Optima. Nie należy podejmować prób demontażu, naprawy lub ponownego montażu urządzenia, ponieważ może to spowodować utratę gwarancji.

## Specyfikacja

Model	CA-509Pro Smart
Maksymalne wymiary pomieszczeń	90 m <sup>2</sup> / 225 m <sup>3</sup> / 970 st <sup>2</sup>
Napięcie znamionowe	220-240 V, 50 Hz / 60 Hz
Moc znamionowa	Maks. 53 W
Wydajność wentylatora (CADR)	400 m <sup>3</sup> /h (cząstki stałe) – 100 m <sup>3</sup> /h (formaldehyd)
Wydajność filtra	99,97%
Współczynnik sterylizacji	99,9%
Jon ujemny	2 000 000 jonów/cm <sup>2</sup>
Poziom hałasu	Cichy wentylator: <20 dB(A) w trybie niskim 1/ 35 dB(A) w trybie średnim 2/55 dB(A) w trybie turbo 3
Wymiary	560 × 320 × 210 mm
Waga	7,5 kg
Kolor	żywy biały
Zgodny z przepisami UE	CE/WEEE/RoHS

**W celu uzyskania aktualnych informacji dotyczących utylizacji opakowania i urządzenia należy się zgłosić do lokalnego dystrybutora lub lokalnego samorządu.**



## Obsługa serwisowa

### Certyfikat gwarancji dla inteligentnego oczyszczacza powietrza Clean Air Optima CA-509Pro Smart.

Data zakupu: .....  
Imię i nazwisko klienta: .....  
Adres: .....  
Telefon: .....  
E-mail: .....  
Nazwa sprzedawcy: .....  
Adres: .....

1. Niniejszy certyfikat gwarancji należy wypełnić w całości. Należy przesać go wraz z fakturą i urządzeniem w oryginalnym opakowaniu do lokalnego dystrybutora, pokrywając koszty przesyłki. Ponadto należy uiścić odpowiednią opłatę za przesyłkę zwrotną.
2. Prosimy o załączenie krótkiego opisu uszkodzenia, usterki lub nieprawidłowego działania oraz okoliczności, w których pojawiły się te problemy.

Inteligentny **oczyszczacz powietrza Clean Air Optima CA-509Pro Smart** jest poddawany rygorystycznym testom przed wysłaniem z fabryki. Jeżeli w okresie 2 lat od daty zakupu produkt nie będzie działać zgodnie ze specyfikacją z powodu wad fabrycznych, nabywca ma prawo do bezpłatnej naprawy lub wymiany części po przedstawieniu niniejszej gwarancji (pod warunkiem, że wadliwe działanie lub uszkodzenie urządzenia i/lub jego części wystąpiło w normalnych warunkach użytkowych). Zakres gwarancji: Wszystkie części wadliwe pod względem materiałowym i wykonawczym. Okres gwarancji: dwa lata od daty zakupu. Czynności gwarancyjne: Naprawa lub wymiana wadliwych części. Wyjątki: regularna wymiana filtrów.

#### Inne warunki

Postanowienia niniejszej gwarancji zastępują wszelkie inne pisemne gwarancje, wyraźne lub dorozumiane, pisemne lub ustne, w tym gwarancje wartości handlowej lub przydatności do określonego celu. Maksymalna odpowiedzialność producenta nie przekracza rzeczywistej ceny zakupu produktu. Producent w żadnym wypadku nie ponosi odpowiedzialności za szkody szczególne, przypadkowe, wynikowe lub pośrednie. Niniejsza gwarancja nie obejmuje wad powstałych w wyniku niewłaściwego lub nieuzasadnionego użytkowania lub konserwacji, wadliwego montażu, wypadku, katastrof naturalnych, niewłaściwego pakowania oraz nieumiejętnych manipulacji, zmian lub modyfikacji, które nie zostały przez nas zatwierdzone. Niniejsza gwarancja jest nieważna w przypadku usunięcia lub uszkodzenia etykiety z numerem seryjnym.

# Dziękujemy za przeczytanie instrukcji!



Podziel się swoją opinią o inteligentnym oczyszczaczu powietrza Clean Air Optima CA-509Pro Smart na stronie: [www.cleanairoptima.com](http://www.cleanairoptima.com)



Najczęściej zadawane pytania dotyczące CA-509Pro Smart można znaleźć na stronie: [www.cleanairoptima.com](http://www.cleanairoptima.com) po wyszukaniu modelu CA-509Pro Smart.



Pobierz instrukcję obsługi w formacie PDF ze strony: [www.cleanairoptima.com/info/manuals](http://www.cleanairoptima.com/info/manuals)



Obejrzyj wszystkie animacje Clean Air Optima Product w serwisie: [www.youtube.com](http://www.youtube.com)

**Clean Air Optima International B.V.** | Rientjesoven 26 | 7621 HG Borne  
Holandia | Telefon: +31 (0) 74 - 2670145

**Clean Air Optima Germany GmbH** | Enschedestraße 14 | 48529 Nordhorn  
Niemcy | Telefon: +49 (0) 5921 879-121

**E-mail:** [info@cleanairoptima.com](mailto:info@cleanairoptima.com)

**Internet:** [www.cleanairoptima.com](http://www.cleanairoptima.com)

## Čeština

### **Děkujeme Vám, že jste zakoupili inteligentní čističku vzduchu Clean Air Optima CA-509Pro Smart.**

Přejeme Vám, aby Vám tento účinný a efektivní výrobek po mnoho let sloužil jako zdroj zdravého vzduchu uvnitř budov.

Zajistěte, aby při používání tohoto elektrického spotřebiče byla dodržována všechna bezpečnostní opatření potřebná pro jeho řádný provoz. Tento návod popisuje bezpečnostní opatření, která je třeba dodržovat při provozu tohoto zařízení. Jeho cílem je prevence úrazů a poškození zařízení.

### **Před použitím nové čističky vzduchu Clean Air Optima CA-509Pro Smart.**

Nejprve odstraňte těsnění z filtrů, viz strana 5. Způsob použití

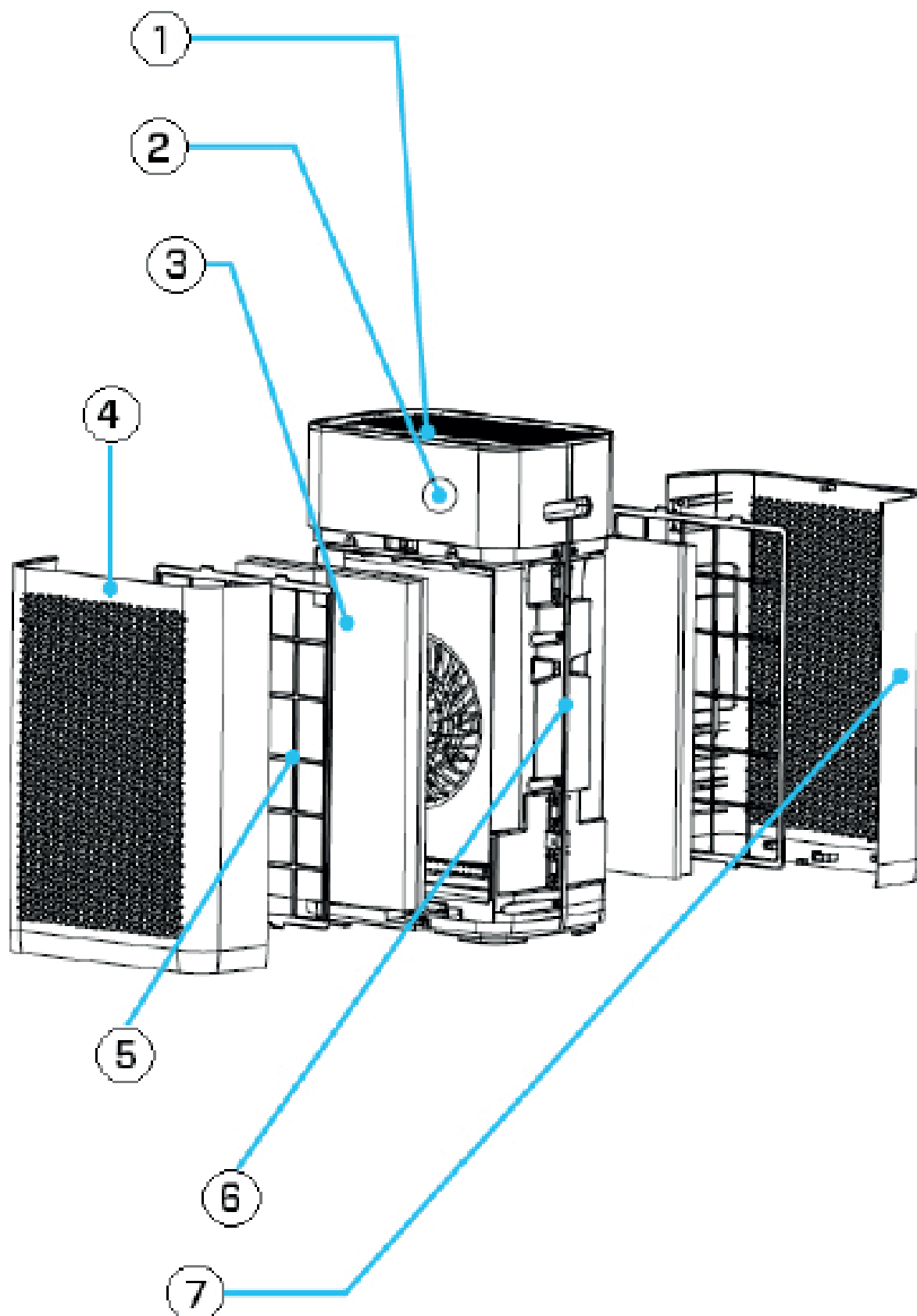


### **Popis spotřebiče**

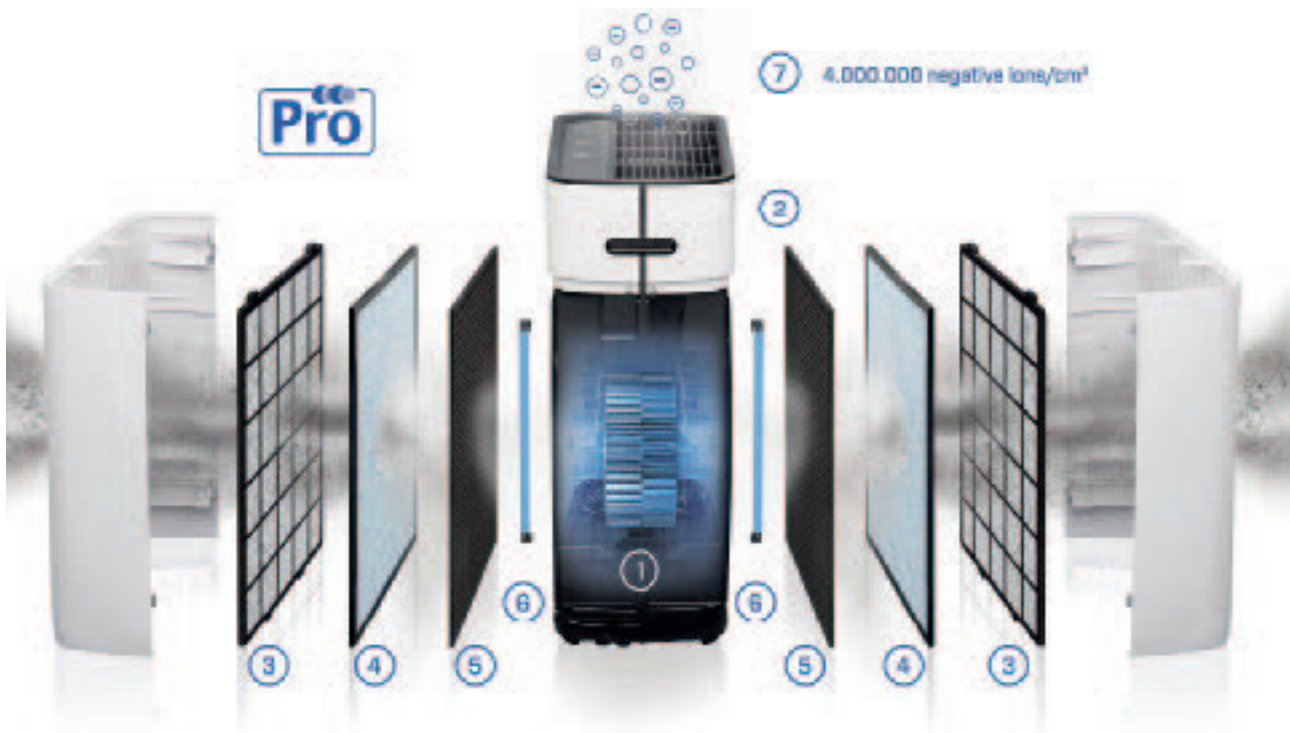
Spotřebič sestává z následujících hlavních součástí:

1. Ovládací panel
2. Digitální monitor kvality vzduchu v interiéru
  - Měření částic PM2.5
  - Relativní vlhkost vzduchu v %
  - Teplota ve °C
3. Kompozitní filtr: TRUE HEPA a filtr s aktivním uhlím
4. Přední panel
5. Předřazený filtr
6. Hlavní část čističky vzduchu
7. Zadní panel

## CA-509Pro Smart/ Hlavní jednotka



## Duální systém proudění vzduchu – duální systém filtrů – duální ionizátor pro dvojitě čištění vzduchu



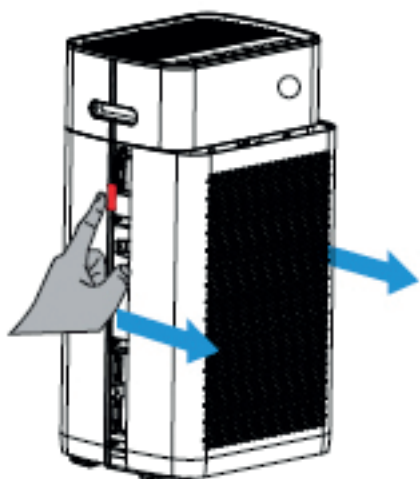
1. Duální ventilátor
2. Inteligentní senzor částic Intelligent Particle Sensor™
3. Předřazený filtr
4. Filtr Nano-Zilver True HEPA
5. Filtr s aktivním uhlím
6. UV LED lampa
7. Duální ionizátor

## Bezpečnostní upozornění

Toto zařízení lze používat pouze v souladu s těmito pokyny pro bezpečné používání. Proveďte následující kroky za účelem minimalizace rizika úrazu například elektrickým proudem nebo v důsledku požáru.

1. Pouze pro vnitřní použití. Nepoužívejte ani neskladujte venku.
2. Spotřebič není určen k tomu, aby byl používán dětmi nebo osobami se sníženými fyzickými, smyslovými či duševními schopnostmi bez dohledu osoby odpovědné za jejich bezpečnost.
3. Nepoužívejte toto zařízení, jsou-li napájecí kabel nebo zařízení samotné viditelně poškozeny. Je-li zařízení poškozené, neopravujte je sami. Nikdy netahejte zařízení za napájecí kabel. Dojde-li k poškození napájecího kabelu, musí být vyměněn kvalifikovaným servisním technikem, aby nedošlo k úrazu elektrickým proudem nebo k požáru.
4. Opravy mohou provádět pouze kvalifikovaní servisní technici. Nepokoušejte se opravovat zařízení sami, aby nedošlo k úrazu elektrickým proudem nebo k požáru.
5. Když se zařízení nepoužívá, vždy vytáhněte napájecí kabel ze sítě.
6. Používejte pouze síťové kabely, které jsou součástí dodávky.
7. Když zařízení nepoužíváte nebo když čistíte jeho vnitřní a vnější části, vždy vytáhněte napájecí kabel ze sítě.
8. Za účelem bezpečného používání umístěte zařízení do stabilní vodorovné polohy. Při provozu se zařízením nepohybujte.
9. Nepoužívejte toto zařízení v místnostech, kde jsou uskladněny hořlavé kapaliny nebo plyny, v blízkosti zdrojů tepla ani v obzvláště vlhkých místnostech, jako je například koupelna.
10. Nikdy nevkládejte žádný předmět do tělesa zařízení. Předejdete tak jeho rozbití.
11. Nikdy nezakrývejte vstup vzduchu ani mřížku výstupu vzduchu.
12. Nikdy nerozebírejte ani nevyměňujte vnitřní součásti zařízení.
13. Pokud je přístroj v chodu, nedotýkejte se vstupních ani výstupních mřížek vzduchu a nevkládejte rukojeť ani žádný předmět do výstupu vzduchu. Zabráníte tak zranění nebo poškození čističky vzduchu.
14. Udržujte vstupní a výstupní mřížku čističky vzduchu bez překážek, neumísťujte žádné předměty nad přední kryt čističky vzduchu ani do jeho blízkosti.
15. Nepokládejte na zařízení těžké předměty.
16. Neumisťujte zařízení na místa s přímým slunečním světlem. Mohlo by dojít ke změně barvy zařízení.
17. Nikdy neponořujte zařízení do vody ani do jiných kapalin.
18. Nedotýkejte se napájecího kabelu mokřkýma rukama.
19. Předřazený filtr pravidelně čistěte. Je-li předřazený filtr zanesen prachem, čistící účinek není dostatečný. Spotřeba energie se zvýší a může dojít k poruše.
20. Normální provozní prostředí zařízení je v rozmezí 0 °C až 40 °C.
21. Používejte, udržujte a čistěte toto zařízení, jak je popsáno v této referenční příručce.

## Způsob použití (instalace filtru pro přední a zadní část)



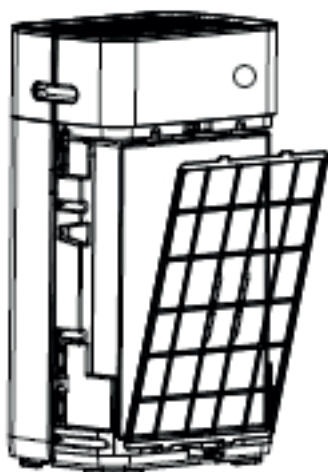
### 1. Demontujte panel

Oběma prsty stiskněte červenou značku na levé a pravé straně čističky vzduchu, viz obrázek. Vytáhněte panel směrem k sobě, jak je naznačeno modrými šipkami.



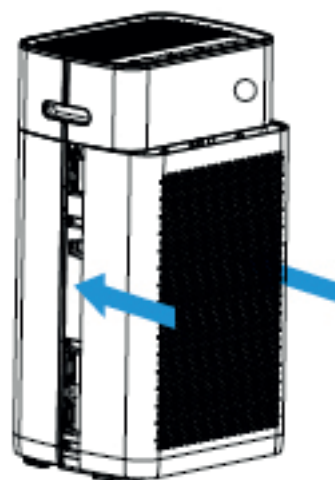
### 2. Namontujte kompozitní filtr

Odstraňte těsnění z filtrů. Umístěte filtry zpět do zařízení. Čep vespod a nahoře musí být viditelný na přední straně (strana HEPA filtru je viditelná).



### 3. Namontujte předřazený filtr

Namontujte předřazený filtr černým vyklenutím směrem ven. Spodní část vložte do spodní drážky a jemně zatlačte horní část (se šipkami) do horní drážky.

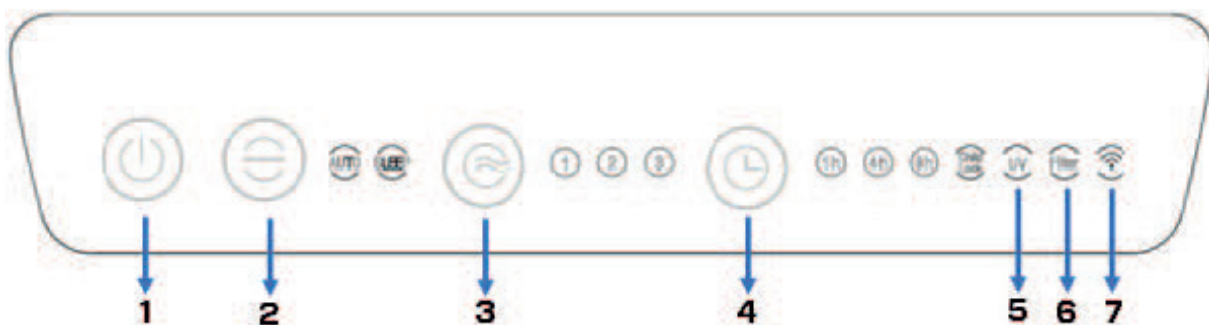


### 4. Namontujte panel

Přední panel zatlačte souběžně podél horního a dolního okraje ve směru znázorněném modře, viz obrázek. Když uslyšíte cvaknutí, je panel namontován.

Zařízení musí být umístěno nejméně 30 cm od stěn a nábytku, aby se dosáhlo dobrého proudění vzduchu. Ujistěte se, že vstupy a výstupy vzduchu nejsou blokovány.

## Ovládací panel / Návod k obsluze



### 1 Tlačítko napájení

Stisknutím tlačítka Power zařízení zapnete a vypnete.  
(Po zapnutí zařízení je výchozím nastavením režim Auto.)

### 2 Režim

Stisknutím tlačítka Mode pro funkci Auto a Sleep.

V nastavení **Auto** měří integrovaný inteligentní senzor (Intelligent Particle Sensor™) kvalitu vzduchu automaticky. Ventilátor řízený senzorem automaticky předvídá, do jaké míry je vzduch v interiéru znečištěn částicemi o velikosti PM2,5, a odpovídajícím způsobem se přizpůsobí 3 různými rychlostmi.

V nastavení **Sleep** svítí světelná kontrolka. Kontrolka, včetně digitálního displeje, zhasne po 5 sekundách. Stisknutím libovolného tlačítka se kontrolka a digitální displej znovu rozsvítí. Kontrolka a digitální monitor znovu zhasnou po 5 sekundách. (Ventilátor běží na nejnižší úrovni rychlosti.)

### 3 Rychlost

Stisknutím tlačítka Speed můžete změnit rychlostní stupeň. 3 rychlosti ventilátoru nabízejí individuální proudění vzduchu. (1-2-3 znamená zvýšení rychlosti proudění vzduchu.)

### 4 Časovač

Stisknutím tlačítka Timer nastavte časovač na „automatické přepnutí“ v rozmezí 1, 4 a 8 hodin. Vybraný počet hodin lze přečíst na displeji časovače.

### 5 UV LED lampa

Výměnu UV LED lamp je nutné provést po 8000 hodinách provozu, nebo pokud zhasne kontrolka (UV) na displeji.

### 6 Filtr

Pokud kontrolka bliká, je nutné kompozitní filtr (filtr HEPA a filtr s aktivním uhlím) vyměnit. Kompozitní filtr má životnost 2 000 hodin.

### 7. WiFi

Ukazatel WiFi.

### 2 + 3 Dětský zámek

Dětský zámek chrání před nežádoucím použitím přístroje.

Dětský zámek se zapíná/vypíná současným stisknutím tlačítek Mode a Speed.

Kontrolka dětského zámku se rozsvítí.

### 3 + 4 Reset filtru

Stisknutím a podržením tlačítka Speed a Timer (přibližně na 3 sekundy) resetujte časovač pro kompozitní filtr. Pokud kontrolka zhasne, byl časovač úspěšně resetován.

## Digitální monitor

Digitální monitor na přední straně čističky vzduchu CA-509Pro Smart automaticky a přesně zobrazuje aktuální kvalitu vzduchu měřením úrovně částic PM2.5, vlhkosti a teploty v interiéru.



**Zelená** – dobrá:  
0–80 ug/m<sup>3</sup>

**Modrá** – průměrná:  
80–150 ug/m<sup>3</sup>

**Červená** – špatná:  
150 ug/m<sup>3</sup> nebo více

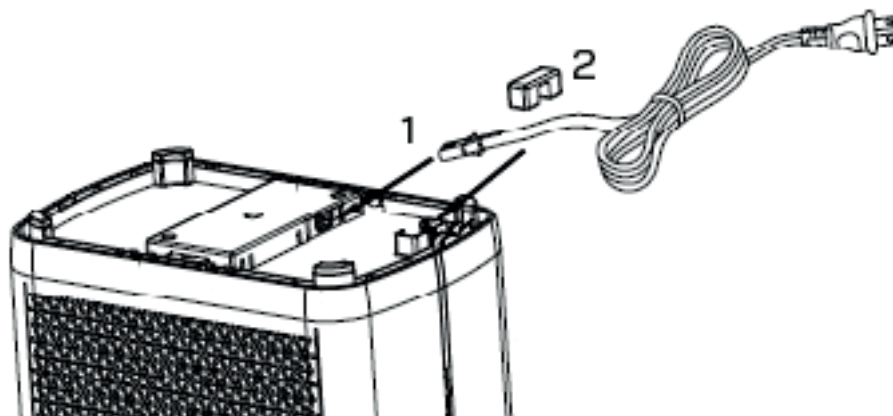
Částice o velikosti 10 um (PM10) a menší než 2,5 um (PM2.5) se mohou dostat do plic a patří k 10 největším hrozbám pro lidské zdraví. Tyto malé částice vznikají při typických procesech v interiéru, jako je vaření, pečení, smažení, kouření a vytápění, nebo se také dostávají ve velkém množství do vzduchu v interiéru v důsledku dopravy, průmyslové a stavební činnosti, přítomnosti biologického materiálu (pylu, bakterií, roztočů a virů). Dále se jedná o částice importované z jiných zdrojů, jako jsou výfukové plyny (letadel) a sopečné erupce.

Alergeny, jako je například pyl a prach, jsou každé jaro příčinou vážných a dlouhodobých ohrožení zdraví miliónů osob: jejich počet neustále roste.

Měření relativní vlhkosti a teploty

Důležité aspekty pro účinné čištění vzduchu: relativní vlhkost mezi 45–60 % a pokojová teplota přibližně 20–23 °C

## Napájecí kabel



1. Odlepte napájecí kabel ze spodní části zařízení a zapojte konec napájecího kabelu do zásuvky ve spodní části zařízení (viz obrázek 1).
2. Napájecí vedení vložte do drážky a upevněte je tlakovým lepidlem (viz obrázek 2).

## Ovládání pomocí aplikace Clean Air Optima<sup>®</sup>

### Konektivita

#### Kompatibilita s chytrými telefony a tablety:



zařízení iPhone, iPad a Android

#### Propojení zařízení přes WiFi s aplikací:

CleanAirOptima

**Upozornění:** Router musí být nastaven na širokopásmové pásmo 2,4 GHz. Pokud je router nastaven na 5,0 GHz, není možné navázat spojení.

### Nastavení připojení WiFi

1. Stáhněte si a nainstalujte aplikaci „CleanAirOptima“ v App Store nebo obchodě Google Play.
2. Vytvořte si účet a přihlaste se.
3. Zapojte zařízení do zásuvky a zapněte jej. Ukazatel WiFi začne blikat.
4. Router musí být nastaven na širokopásmové připojení 2,4 GHz. Pokud je router nastaven na 5,0 GHz, nelze navázat žádné spojení.
5. Ujistěte se, že je ve vašem chytrém telefonu povolen Bluetooth.
6. Ujistěte se, že je váš chytrý telefon nebo tablet úspěšně připojen k síti Wi-Fi.
7. Otevřete aplikaci „CleanAirOptima“ a klepněte na „Přidat zařízení“ . Vaše zařízení je v seznamu a můžete ho vybrat. Pokud ne, zvolte „Automatické skenování“. Pro připojení zařízení k síti postupujte podle pokynů na obrazovce.
8. Přidejte do aplikace zařízení Clean Air Optima<sup>®</sup> a postupujte podle pokynů v aplikaci.
9. Pokud je zařízení spárováno, ukazatel WiFi  zůstane trvale svítit.
10. Po úspěšné konfiguraci můžete zařízení ovládat pomocí aplikace Clean Air Optima<sup>®</sup>.

#### Poznámka:

- Pokud se vaše výchozí síť změnila, musíte znovu nastavit připojení Wi-Fi. Postupujte podle kroků 3 až 8 v části „Nastavení připojení WiFi“.
- Pokud chcete s chytrým telefonem nebo tabletem spárovat více zařízení, musíte je spárovat postupně.
- Ujistěte se, že vzdálenost mezi chytrým telefonem nebo tabletem a zařízením je menší než 5 metrů a že neexistují žádné překážky. Také se ujistěte, že jste ve stejné místnosti jako zařízení.

#### Resetujte funkci WiFi:

- Resetujte WiFi stisknutím tlačítka „Mode“ a „Časovač“ na 3 sekund, ukazatel WiFi bude rychle blikat.



## Připojte zařízení k více telefonům

Poznámka: Nejprve musí druhá osoba nainstalovat aplikaci Clean Air Optima<sup>®</sup> na svůj telefon a vytvořit nový účet.

### **Sdílejte zařízení s omezeným přístupem:**

Můžete se rozhodnout sdílet jedno zařízení s více osobami. Tato osoba pak bude mít přístup, ale nebude moci provádět všechna nastavení.

Chcete-li zařízení sdílet s více osobami, postupujte podle níže uvedených pokynů:

1. Přejděte na příslušné zařízení.
2. Přejděte na symbol tužky nebo tří teček vpravo nahoře.
3. Vyberte možnost „Sdílet zařízení“.
4. Vyberte možnost „Přidat sdílení“.
5. Vyberte způsob sdílení, např. prostřednictvím e-mailu, WhatsApp, SMS atd., a pokračujte.
6. Zařízení se automaticky zobrazí v aplikaci Clean Air Optima<sup>®</sup> u dalšího účtu.

### **Sdílejte zařízení s plným přístupem:**

Do správy domova můžete přidat osobu nebo několik osob. Tato osoba pak bude mít přístup ke všem vašim zařízením, která jsou již propojena, a bude mít plná práva a oprávnění. Vždy zůstanete hlavním správcem.

Chcete-li někoho přidat do správy domova, postupujte podle níže uvedených pokynů:

1. Spusťte aplikaci Clean Air Optima<sup>®</sup> a přejděte na možnost „Já“.
  2. Poté vyberte možnost „Správa domova“.
  3. Vyberte možnost „Vytvořit domov“.
  4. Vyberte příslušnou položku „Domov“ a „Přidat člena“.
  5. Vyberte způsob sdílení, např. prostřednictvím e-mailu, WhatsApp, SMS atd., a pokračujte.
  6. Odpovídající „Domov“ se automaticky zobrazí v aplikaci Clean Air Optima<sup>®</sup> osoby, se kterou jste sdíleli váš „Domov“.
5. Na druhém účtu:  
Přejděte na domovskou obrazovku z aplikace Clean Air Optima<sup>®</sup>. V levé horní části zvolte „Domov“.

## Dálkový ovladač

### ZAPNUTO/VYPNUTO

Stisknutím tlačítka Power zařízení zapnete a vypnete. (Po zapnutí zařízení je výchozím nastavením režim Auto.)

### Rychlost

Stisknutím tlačítka Speed můžete změnit rychlostní stupeň. 3 rychlosti ventilátoru nabízejí individuální proudění vzduchu.

### Časovač

Stisknutím tlačítka Timer nastavte časovač na „automatické přepnutí“ v rozmezí 1, 4 a 8 hodin.

### Dětský zámek

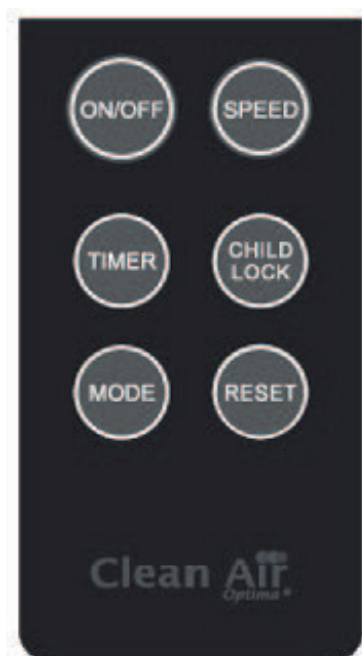
Dětský zámek se zapíná/vypíná stisknutím tlačítka Child lock po dobu přibližně 3 sekund.

### Režim

Stiskem tlačítka Mode můžete přepínat mezi funkcemi Mode a Sleep.

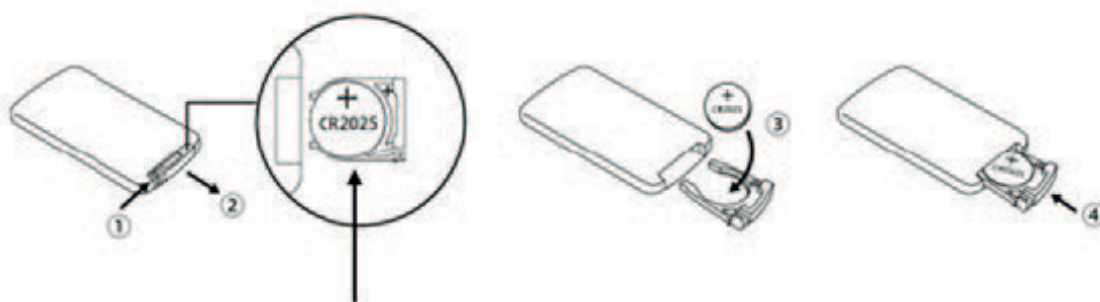
### Reset

Resetujte časovač kompozitního filtru stisknutím a podržením tlačítka Reset po dobu přibližně 3 sekund.



## Výměna baterie

1. Otevřete držák baterie na zadní straně dálkového ovládání tak, že palcem stisknete zajišťovací jazýček (krok 1) směrem doprava a poté držák baterie vytáhnete (krok 2).
2. Vyměňte starou baterii a vložte novou baterii (typ CR2025, 3 V). Dodržujte přitom správnou polaritu (krok 3).
3. Vložte novou baterii (typ CR2025, 3 V).
4. Zasuňte držák baterie zpět do dálkového ovládání (krok 4).



Baterii (typ CR2025)

## Bezpečnostní opatření

1. Pokud nebudete dálkový ovladač delší dobu používat, vyjměte baterii, aby nedošlo k úniku jejího obsahu a poškození dálkového ovladače.
2. Používejte dálkový ovladač v dosahu čističky vzduchu
3. Pokud dálkový ovladač nefunguje správně, vyjměte baterii a vložte ji zpět po 30 sekundách. Pokud stále nefunguje správně, vyměňte baterii.

## Údržba

### Čištění vnější strany čističky vzduchu

1. Vypněte zařízení a vytáhněte zástrčku.
2. K čištění zařízení od prachu a nečistot použijte měkký a vlhký hadřík.
3. Zajistěte, aby se do zařízení nedostala **voda**.

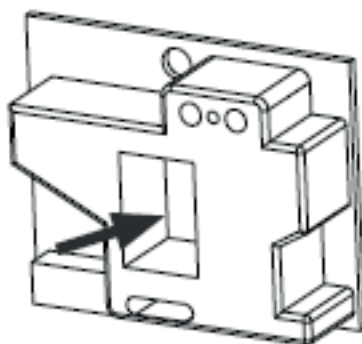
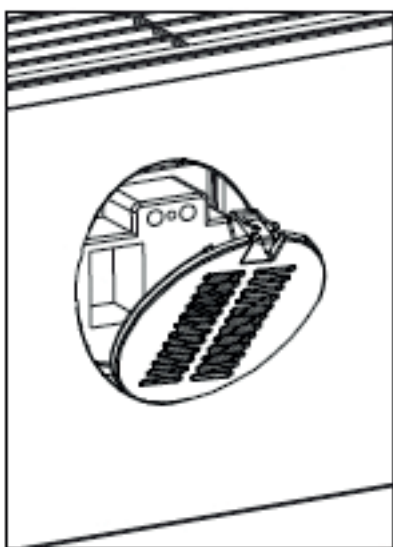
### Čištění senzoru Intelligent Particle Sensor™

#### Senzor kvality vzduchu čistěte každých 6 až 8 týdnů.

Pokud je hodnota PM 2.5 zobrazena nesprávně, lze k čištění čočky senzoru použít vatový tampon.

1. Odstraňte kryt senzoru.
2. Čočku senzoru očistěte vatovým tamponem a vodou, jak ukazuje šipka. Poté čočku osušte čistým vatovým tamponem.
3. Namontujte kryt senzoru.
4. Nečistěte čočku senzoru alkoholem ani jiným organickým rozpouštědlem.

**Pozor!** Pokud je vlhkost v místnosti velmi vysoká, hrozí nebezpečí kondenzace na senzoru kvality vzduchu. To může způsobit, že kontrolka kvality vzduchu (Digitální displej – měření částic) bude indikovat nízkou kvalitu vzduchu, i když tomu tak není. V takovém případě doporučujeme vyčistit senzor kvality vzduchu nebo čističku vzduchu nepoužívat v automatickém režimu.



## Výměna filtrů

**Inteligentní čistička vzduchu Clean Air Optima CA-509Pro Smart** je vybavena mechanismem sledování životnosti filtru, který signalizuje, že filtr je nutné po 2 000 hodinách provozu vyměnit. Aby bylo zřejmé, že je zapotřebí kompozitní filtry (filtr HEPA + filtr s aktivním uhlím) vyměnit, na čističce začne blikat světelná kontrolka. Stisknutím a podržením tlačítka Speed a Timer (přibližně na 3 sekundy) resetujete časovač pro kompozitní filtr. Pokud kontrolka zhasne, byl časovač úspěšně resetován.

**V závislosti na použití mají kompozitní filtry (filtr HEPA + filtr s aktivním uhlím) životnost přibl. 6–8 měsíců.**

### Čištění filtru

Nejlepšího účinku dosáhnete čištěním filtrů jednou měsíčně. Pokud je vzduch v interiéru extrémně znečištěný, může být vyžadováno intenzivnější čištění.



Vyčistěte **předřazený filtr** a **filtr HEPA** kartáčem nebo vysavačem. Tak lze z filtru odstranit větší prachové částice, jako jsou vlákna, vlasy a chlupy domácích mazlíčků.

**Varování!** Kompozitní filtry (**filtr HEPA + filtr s aktivním uhlím**) nikdy nesmáčejte ani neoplachujte vodou.

### Známky opotřebení filtrů

Zvýšená hlasitost, snížený průtok vzduchu, ucpané filtry, vzrůstající přítomnost pachů. Filtr je nutné nahradit novým, pokud filtr HEPA změní barvu z bílé na šedou nebo černou. Pokud filtr HEPA zůstane bílý, **NENÍ** nutné filtr vyměňovat.

### Objednávání filtrů:

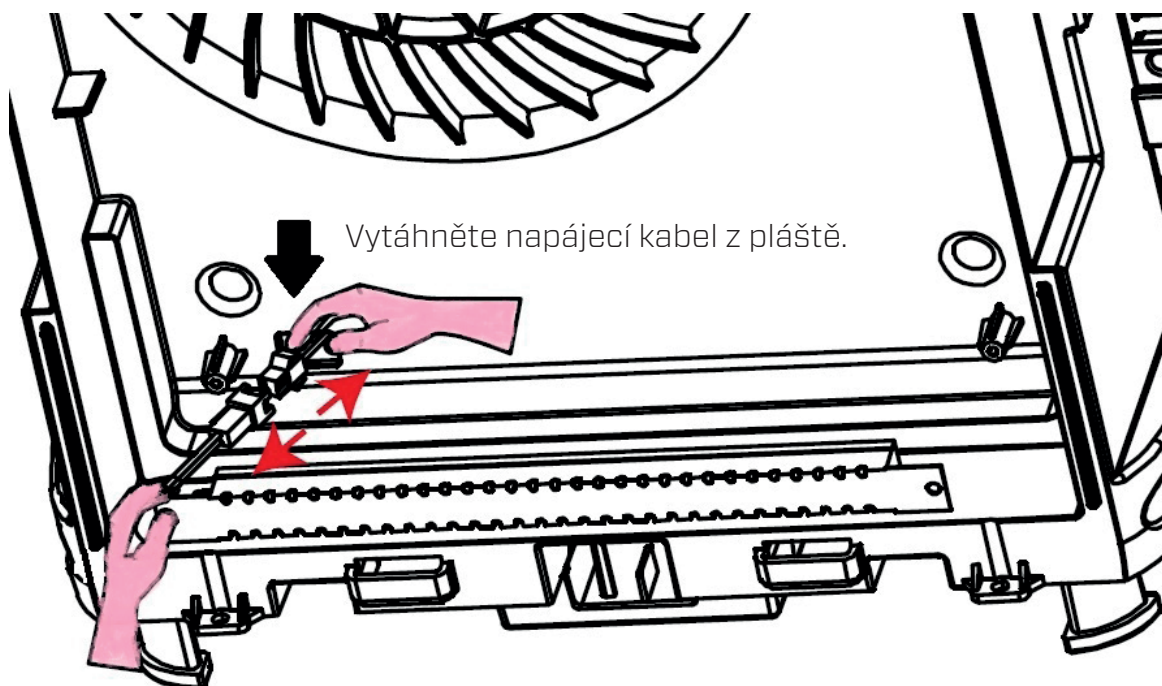
Kontaktujte zákaznický servis Clean Air Optima na tel. + 31 (0) 742670145 nebo navštivte náš internetový obchod: <https://www.cleanairoptima.com>

## Výměna UV LED lamp (na přední a zadní straně přístroje)

Obě UV LED lampy čističky vzduchu Clean Air Optima CA-509Pro Smart mají životnost 8000 provozních hodin = 1 rok nepřetržitého provozu. Výměnu UV LED lamp je nutné provést po 8000 hodinách provozu, nebo pokud zhasne kontrolka (UV) na displeji.



1. Vypněte zařízení a vytáhněte zástrčku ze zásuvky.
2. Oběma prsty stiskněte odjišťovací tlačítka a sejměte přední a zadní kryt.
3. Vyjměte filtry (přední a zadní).



4. Pomocí křížového šroubováku vyšroubujte šrouby z kovového krytu obou UV LED lamp (přední a zadní).
5. Vytáhněte napájecí kabel z pláště směrem k sobě, až uvidíte přípojovací konektory. Odpojte konektory, viz obrázek.
6. Nyní můžete nasadit nové UV LED lampy. Po instalaci UV LED lamp se kontrolka (UV) znovu rozsvítí.

### Objednávání UV LED lamp:

obraťte se na zákaznický servis Clean Air Optima na telefonním čísle + 31 (0) 742670145 nebo navštivte náš internetový obchod: <https://www.cleanairoptima.com>

## Odstraňování závad

Následující návod pro odstraňování závad Vám pomůže vyřešit jakékoli problémy, které mohou nastat při používání inteligentní čističky vzduchu **Clean Air Optima CA-509Pro Smart**.

Problém	Možná příčina	Řešení
Zařízení není zapnuté	Napájecí kabel není správně připojen Napájecí kabel je poškozený Přední nebo zadní panel není správně namontován	Připojte napájecí kabel k zařízení a do sítě správně Vyměňte napájecí kabel Namontujte panel správně. Viz kapitola: Způsob použití
Vzduchový vývod zapáchá	Filtr zachycuje příliš mnoho zápachu nebo prachu Životnost filtrů vypršela	Vyměňte kompozitní filtry Vyměňte kompozitní filtry
Špatný čistící účinek	Zkontrolujte, zda není místnost z hlediska vlhkosti příliš suchá Zařízení je umístěno v nevětrané místnosti nebo je obklopeno překážkami	Zvyšte vlhkost Odstraňte překážky
Ze zařízení nevychází žádný vzduch	Vstup nebo výstup vzduchu je blokován	Odstraňte překážky
Dálkový ovladač nefunguje	Zkontrolujte, zda je vložena baterie Zkontrolujte, zda je baterie vložena správně Zkontrolujte kapacitu baterie Zkontrolujte, zda vzdálenost dálkového ovládače nepřekračuje dosah	Vložte baterii Vložte baterii správně Vyměňte baterii Dosah je do 5 metrů od přední strany zařízení
Ovládání pomocí aplikace Clean Air Optima® nefunguje	Chytrý telefon nebo tablet není připojen k síti Wi-Fi Zařízení nemá připojení k síti	Zařízení resetujete stisknutím a podržením tlačítek STAND a TIMER současně po dobu tří sekund. Ukazatel WiFi začne blikat. Poté postupujte podle kroků 4 až 8 v kapitole „Ovládání pomocí aplikace Clean Air Optima®“.

## VAROVÁNÍ!

Pokud výše uvedená řešení nepomohou, obraťte se na technickou podporu Clean Air Optima na telefonním čísle určeném pro Váš region. Nepokoušejte se rozebrat, znovu sestavit nebo opravit zařízení, protože může dojít k propadnutí záruky.

## Specifikace

Model	CA-509Pro Smart
Pro místnosti do velikosti	90 m <sup>2</sup> / 225 m <sup>3</sup> / 970 ft <sup>2</sup>
Jmenovité napětí	220 V-240 V, 50 Hz / 60 Hz
Jmenovitý výkon	Max. 53 W
Kapacita ventilátoru (CADR)	400 m <sup>3</sup> /h (pevné částice) – 100 m <sup>3</sup> /h (formaldehyd)
Výkon filtru	99,97 %
Rychlost sterilizace	99,9 %
Ionizace zápornými ionty	2 000 000 iontů/cm <sup>2</sup>
Hladina hluku	Tichý ventilátor <20 dB (A) Nízký 1 / 35 dB (A) Střední 2 / 55 dB (A) Turbo 3
Rozměry	560 × 320 × 210 mm
Hmotnost	7,5 kg
Barva	Živě bílá
Splňuje požadavky předpisů EU	CE/WEEE/RoHS

Požádejte svého prodejce nebo obec o aktuální informace týkající se likvidace obalu a tohoto zařízení.



## Servis

### Záruční list pro inteligentní čističku vzduchu Clean Air Optima CA-509Pro Smart.

Datum nákupu: .....

Jméno zákazníka: .....

Adresa: .....

Telefon: .....

E-mail: .....

Jméno prodejce: .....

Adresa: .....

1. Tento záruční list prosím kompletně vyplňte. Zašlete jej spolu s fakturou a spotřebičem, s poštovním hrazeným předem a v původním obalu svému distributorovi. Přesvědčte se, že jste uhradili poštovné za vrácení zásilky.
2. Připojte krátký popis poškození, vady nebo poruchy a okolnosti, za kterých k uvedeným problémům došlo.

**Inteligentní čistička vzduchu Clean Air Optima CA-509Pro Smart** byla u výrobce podrobena přísným testům. Pokud v průběhu 2 let od data zakoupení produkt přestane fungovat v souladu se specifikacemi z důvodu výrobních vad, kupující má právo na bezplatnou opravu nebo výměnu součástí na základě předložení tohoto záručního listu (za předpokladu, že k poruše nebo poškození zařízení, případně součástí, došlo za běžných provozních podmínek). Záruka se vztahuje na následující: všechny součásti, u nichž se projeví vada materiálu nebo výrobní vada. Jak dlouho: po dobu dvou let od data zakoupení. Co uděláme: opravíme nebo vyměníme jakékoli vadné součásti.

Výluky: pravidelně měněné výměnné filtry.

### Další podmínky

Ustanovení tohoto záručního listu jsou namísto jakékoli písemné záruky, ať již výslovné či mlčky předpokládané, písemné nebo ústní, včetně záruky prodejnosti a vhodnosti pro konkrétní účel. Maximální odpovědnost výrobce nepřekročí aktuální kupní cenu, za kterou bylo zařízení zakoupeno. Za žádných okolností výrobce nenese odpovědnost za zvláštní, následné ani nepřímé škody. Tato záruka se nevztahuje na vady, které vznikly v důsledku nesprávného nebo nepřiměřeného použití či údržby, vadné montáže, havárie, přírodní katastrofy, nesprávného zabalení nebo neoprávněného zásahu, změny nebo úpravy podle našeho vlastního úsudku. Tato záruka propadá, pokud dojde k odstranění štítku s výrobním číslem nebo pokud se tento štítek stane nečitelným.

# Děkujeme Vám za přečtení těchto pokynů.



Máte-li k produktu inteligentní čistička vzduchu Clean Air Optima CA-509Pro Smart jakoukoli zpětnou vazbu, podělte se o ni s námi na adrese: [www.cleanairoptima.com](http://www.cleanairoptima.com)



Často kladené otázky týkající se produktu CA-509Pro Smart najdete na adrese: [www.cleanairoptima.com](http://www.cleanairoptima.com), kde hledejte CA-509Pro Smart.



Stáhněte si návod k obsluze ve formátu PDF na adrese: [www.cleanairoptima.com/info/manuals](http://www.cleanairoptima.com/info/manuals)



Podívejte se na všechna animační videa týkající se produktů Clean Air Optima na adrese: [www.youtube.com](http://www.youtube.com)

**Clean Air Optima International B.V.** | Rientjesoven 26 | 7621 HG Borne  
Nizozemsko | Telefon: +31 (0) 74-2670145

**Clean Air Optima Germany GmbH** | Enschedestraße 14 | 48529 Nordhorn  
Německo | Telefon: +49 (0) 5921 879-121

**E-mail:** [info@cleanairoptima.com](mailto:info@cleanairoptima.com)

**Internet:** [www.cleanairoptima.com](http://www.cleanairoptima.com)

## Slovák

### Ďakujeme vám za zakúpenie čističky vzduchu Clean Air Optima Intelligent CA-509Pro Smart.

Prajeme vám mnoho rokov zdravého vnútorného ovzdušia s týmto efektívnym a výkonným produktom.

Pri používaní tohto elektrického spotrebiča sa uistite, že sú dodržiavané všetky bezpečnostné opatrenia pre jeho správnu prevádzku. Tieto pokyny opisujú bezpečnostné opatrenia, ktoré je potrebné dodržiavať počas prevádzky. Ich cieľom je predchádzať zraneniam a poškodeniu zariadenia.

### Pred použitím novej inteligentnej čističky vzduchu Clean Air Optima CA-509Pro Smart.

Najprv odstráňte tesnenie z filtrov, pozri stranu 157. Návod na použitie.

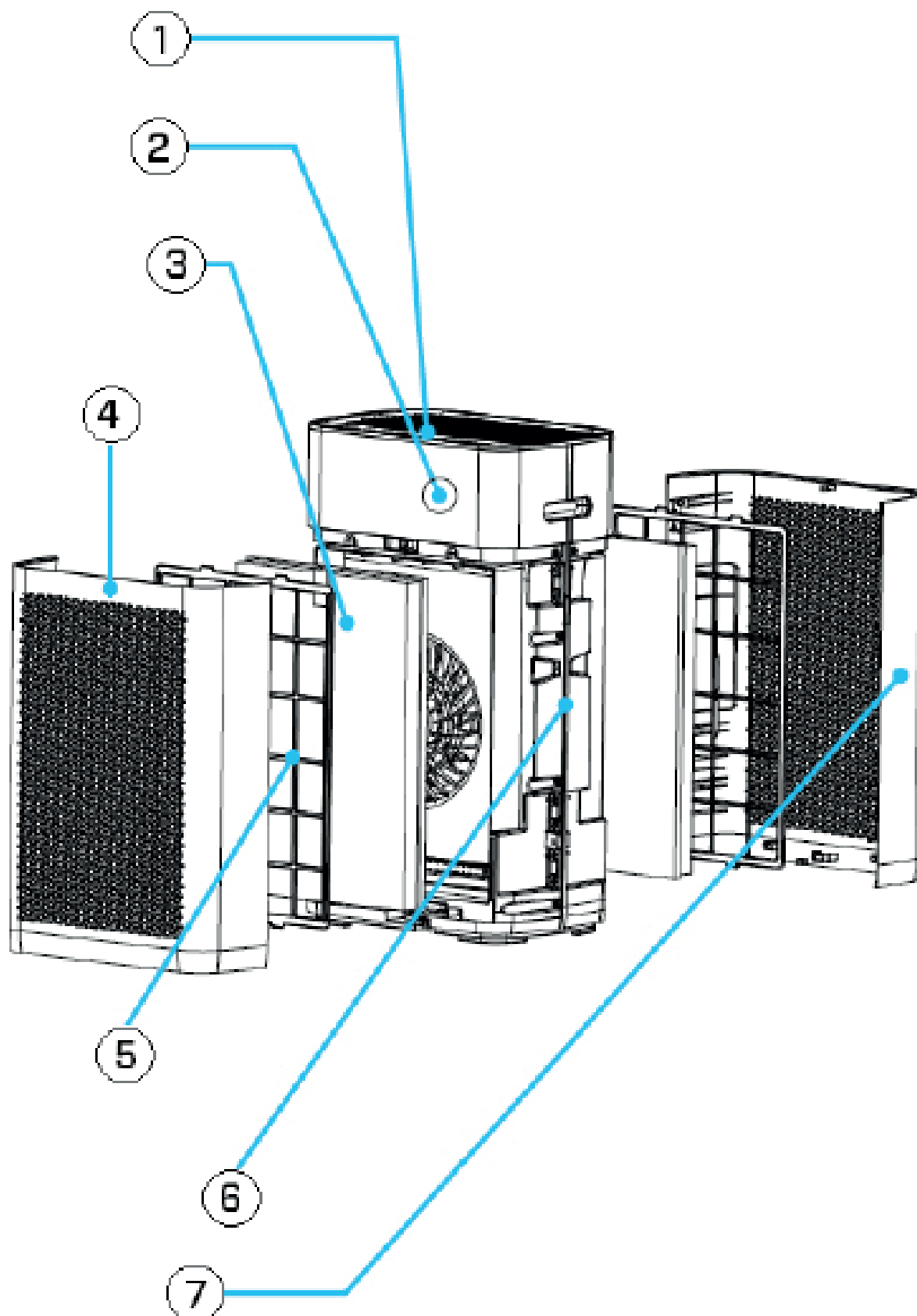


### Popis zariadenia

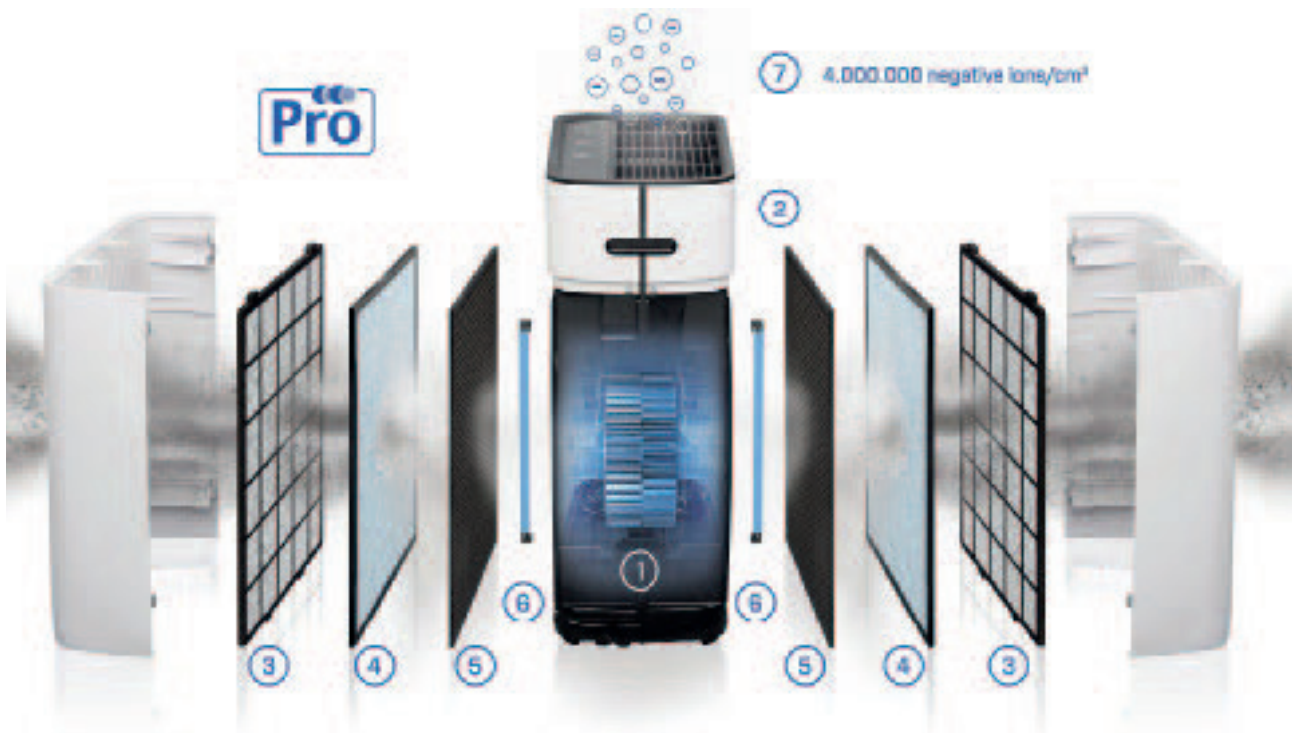
Zariadenie sa skladá z nasledujúcich hlavných komponentov:

1. Ovládací panel
2. Digitálny monitor kvality vnútorného vzduchu
  - Meranie častíc PM2.5
  - Relatívna vlhkosť vzduchu v %
  - Teplota v °C
3. Kompozitný filter: TRUE HEPA a filter s aktívnym uhlím
4. Predný panel
5. Predfilter
6. Hlavná časť čističky vzduchu
7. Zadný panel

## CA-509Pro Smart/ Hlavná jednotka



## Dvojitý systém prúdenia vzduchu - Dvojitý filtračný systém - Dvojitý ionizátor pre dvojité čistenie vzduchu!



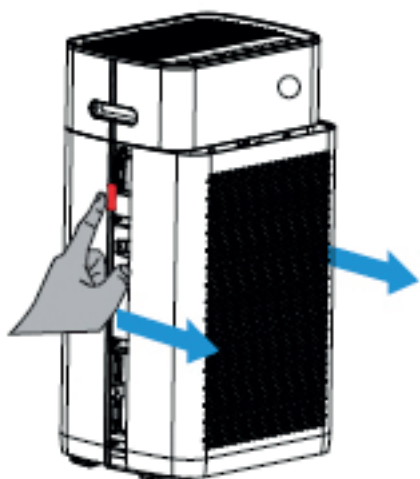
1. Dvojitý ventilátor
2. Inteligentný senzor častíc™
3. Prefilter
4. Nano-Zilver True HEPA filter
5. Filter s aktívnym uhlím
6. UV LED lampa
7. Dvojitý ionizátor

## Bezpečnostné upozornenia

Toto zariadenie sa smie používať iba v súlade s týmito bezpečnostnými pokynmi. Dodržujte nasledujúce kroky, aby ste minimalizovali riziko zranenia osôb spôsobeného napríklad úrazom elektrickým prúdom alebo požiarom.

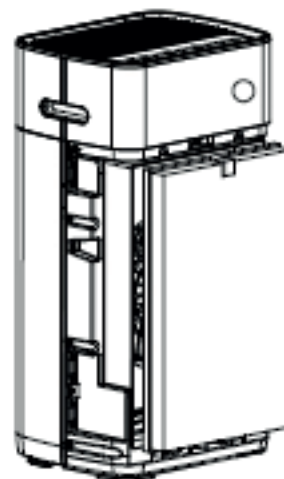
1. Len na použitie v interiéri. Nepoužívajte ani neskladujte vonku.
2. Zariadenie nie je určené na používanie deťmi alebo osobami so zníženými fyzickými, zmyslovými alebo duševnými schopnosťami, pokiaľ nie sú pod dohľadom osoby zodpovednej za ich bezpečnosť.
3. Nepoužívajte zariadenie, ak je na elektrickom kábli alebo na samotnom zariadení viditeľné poškodenie. V prípade poškodenia zariadenie neopravujte sami. Nikdy neťahajte zariadenie za kábel. Ak je napájací kábel poškodený, musí ho vymeniť autorizovaný servisný pracovník, aby sa predišlo úrazu elektrickým prúdom alebo požiaru.
4. Opravy môže vykonávať iba autorizovaný servisný pracovník. Nepokúšajte sa zariadenie opravovať sami, aby ste predišli úrazu elektrickým prúdom alebo požiaru.
5. Vždy odpojte zástrčku zo siete, keď zariadenie nepoužívate.
6. Používajte iba dodané napájacie káble.
7. Vytiahnite zástrčku, keď zariadenie nepoužívate alebo keď čistíte jeho vnútorné alebo vonkajšie časti.
8. Z bezpečnostných dôvodov umiestnite zariadenie do stabilnej, vodorovnej polohy. Počas používania sa s ním nehýbte. 9. Nepoužívajte zariadenie v miestnostiach, kde sa skladujú horľavé kvapaliny alebo plyny, v blízkosti zdrojov tepla alebo v obzvlášť vlhkých miestnostiach, ako je kúpeľňa.
10. Nikdy nekladajte do tela zariadenia žiadne iné predmety, aby ste predišli jeho poškodeniu.
11. Nikdy nezakrývajte mriežku vstupu a výstupu vzduchu.
12. Nikdy nerozoberajte ani nevymieňajte vnútorné časti zariadenia.
13. Keď je zariadenie v prevádzke, nedotýkajte sa mriežok vstupu a výstupu vzduchu a nekladajte rukoväť ani žiadne predmety do výstupu vzduchu, aby ste predišli zraneniu alebo poškodeniu čističky vzduchu.
14. Aby ste zaistili nerušený prístup k mriežke vstupu a výstupu vzduchu čističky vzduchu, neumiestňujte predmety nad predný kryt čističky vzduchu ani do jeho blízkosti.
15. Na jednotku nekladte ťažké predmety.
16. Vyhýbajte sa miestam s priamym slnečným žiarením. Hrozí riziko zmeny farby zariadenia.
17. Nikdy neponárajte jednotku do vody alebo iných kvapalín.
18. Nedotýkajte sa napájacieho kábla mokrými rukami. 19. Pravidelne čistite predfilter. Ak je predfilter zanesený prachom, čistiaci účinok sa zníži. Zvýši sa spotreba energie, čo môže spôsobiť poruchu.
20. Normálne prevádzkové prostredie zariadenia je 0 °C až 40 °C.
21. Zariadenie používajte, udržiavajte a čistite podľa pokynov v tomto návode.

## Návod na použitie (Inštalácia filtra pre prednú a zadnú časť)



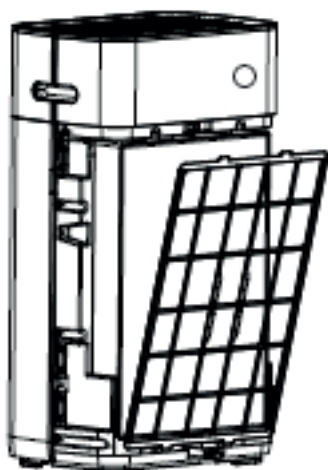
### 1. Demontujte panel

Stlačte oboma prstami červenú ikonu na ľavej a pravej strane čističky vzduchu, pozri obrázok. Potiahnite panel smerom k sebe, ako je znázornené modrými šípkami.



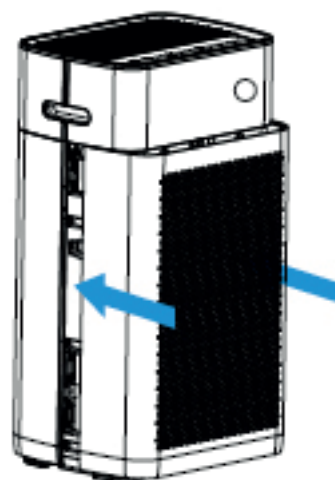
### 2. Nainštalujte kompozitný filter

Odstráňte tesnenie z filtrov. Vložte filtre späť do zariadenia. Kohútik na spodnej a vrchnej strane musí byť viditeľný vpredu (viditeľná je strana HEPA z filtra).



### 3. Nainštalujte predfilter

Nainštalujte predfilter čiernym výstupkom smerom von. Vložte jeho spodnú časť do spodného otvoru a vrchnú časť (so šípkami) jemne zatlačte do horného otvoru.

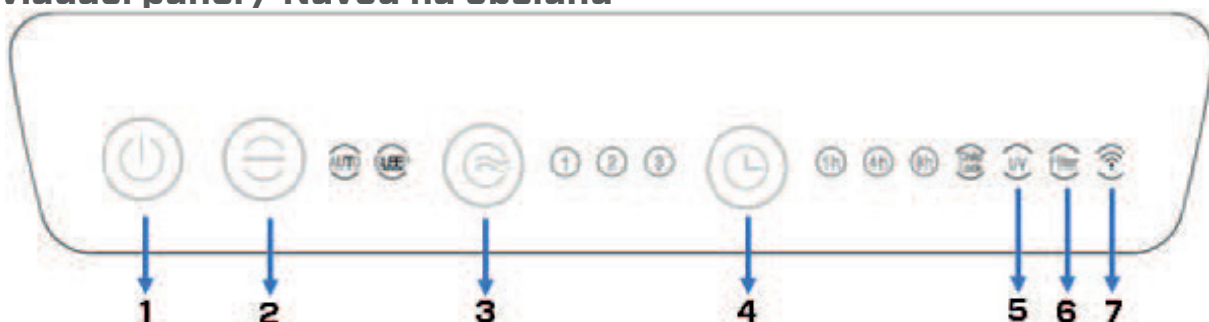


### 4. Nainštalujte panel

Zatlačte predný panel rovnobežne pozdĺž horného a dolného okraja v smere znázornenom modrou farbou, pozri obrázok. Keď budete počuť cvaknutie, panel je

Zariadenie musí byť umiestnené aspoň 30 cm od stien a nábytku, aby sa zabezpečilo dobré prúdenie vzduchu. Uistite sa, že vstupné a výstupné otvory vzduchu nie sú blokované.

## Ovládací panel / Návod na obsluhu



### 1 Tlačidlo napájania

Stlačením tlačidla napájania zapnete a vypnete zariadenie. (Predvolený je automatický režim po zapnutí zariadenia).

### 2 Režim

Stlačením tlačidla Režim aktivujete funkciu Automatický režim a Spánok.

V nastavení **Automatický** režim integrovaný inteligentný senzor (Inteligentný senzor častíc™) automaticky meria a reguluje kvalitu vzduchu. Ventilátor, ovládaný senzorom, automaticky predvída, do akej miery je vnútorný vzduch znečistený časticami veľkosti PM2,5 a podľa toho sa prispôsobuje 3 rôznym rýchlostiam.

V nastavení **Spánok** svieti kontrolka jasne. Kontrolka vrátane digitálneho displeja zhasne po 5 sekundách. Stlačením ľubovoľného tlačidla reštartujete kontrolku a digitálny displej. Kontrolka a digitálny monitor opäť zhasnú po 5 sekundách. (Ventilátor beží na najnižšej rýchlosti).

### 3 Rýchlosť

Stlačením tlačidla Rýchlosť môžete zmeniť úroveň rýchlosti. 3 rýchlosti ventilátora ponúkajú individuálne prúdenie vzduchu. (1-2-3 znamená, že rýchlosť vetra sa zvyšuje).

### 4 Časovač

Stlačením tlačidla Časovač nastavíte časovač na „automatické vypnutie“ v rozsahu 1, 4 až 8 hodín. Vybraný počet hodín si môžete prečítať na displeji časovača.

### 5 UV LED lampa

UV LED lampy by sa mali vymeniť po 8 000 hodinách prevádzky alebo ak kontrolka (UV) na displeji zhasne.

### 6 Filter

Ak kontrolka bliká, je potrebné vymeniť kompozitný filter (HEPA a filter s aktívnym uhlím). Životnosť kompozitného filtra je 2 000 hodín.

### 7 WiFi

Indikátor WiFi.

### 2 + 3 Detská poistka

Detská poistka chráni pred nechceným použitím zariadenia.

Detská poistka sa zapína/vypína súčasným stlačením tlačidiel Režim a Rýchlosť. Kontrolka detskej poistky bude svietiť jasne.

### 3 + 4 Reset filtra

Časovač kompozitného filtra resetujete stlačením a podržaním tlačidiel Rýchlosť a Časovač (približne 3 sekundy). Ak kontrolka zhasne, časovač bol úspešne resetovaný.

## Digitálny monitor

Digitálny monitor na prednej strane čističky vzduchu CA-509Pro Smart automaticky a presne zobrazuje aktuálnu kvalitu ovzdušia meraním úrovne častíc PM2,5, vnútornej vlhkosti a teploty.



**Zelená** – Dobrá: 0 – 80  $\mu\text{g}/\text{m}^3$     **Modrá** – Priemerná: 80 – 150  $\mu\text{g}/\text{m}^3$     **Červená** – Zlá: 150  $\mu\text{g}/\text{m}^3$  alebo viac

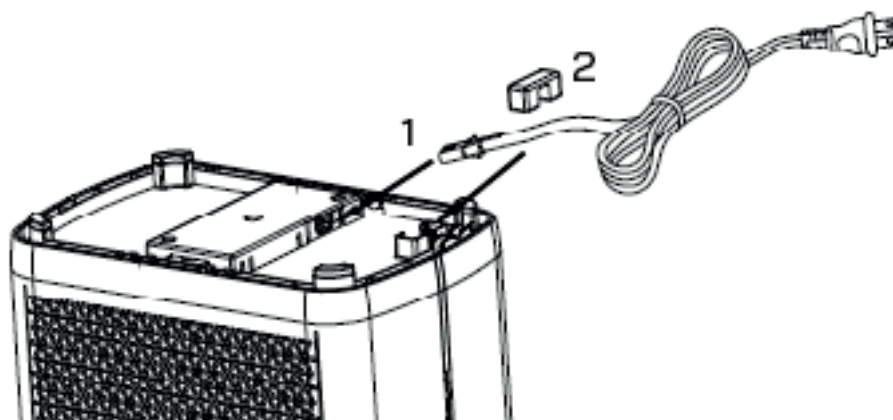
Častice s veľkosťou 10  $\mu\text{m}$  (PM10) a menšie 2,5  $\mu\text{m}$  (PM2,5) sa môžu dostať do pľúc a patria medzi 10 najväčších hrozieb pre ľudské zdravie. Tieto malé častice vznikajú pri typických vnútorných procesoch, ako je varenie, pečenie, vyprážanie, fajčenie a vykurovanie, alebo sa vo veľkých množstvách dostávajú do vnútorného ovzdušia v dôsledku dopravy, priemyslu, stavebníctva, biologického materiálu (peľ, baktérie, roztoče a vírusy), importovaných častíc z iných zdrojov, ako sú výfukové plyny (z lietadiel) a sopečné erupcie.

Alergény, ako je peľ a prach, spôsobujú každú jar vážne a dlhodobé zdravotné riziká miliónom ľudí: ich počet neustále rastie.

Meranie relatívnej vlhkosti a teploty

Dôležité aspekty pre účinné čistenie vzduchu: relatívna vlhkosť medzi 45 – 60 % a teplota miestnosti približne 20 – 23 °C

## Napájací kábel



1. Odstráňte lepidlo napájacieho kábla zo spodnej časti zariadenia a zasuňte koniec napájacieho kábla do zásuvky v spodnej časti zariadenia (ako je znázornené na obrázku 1).
2. Vložte elektrický kábel do otvoru pre kábel a upevnite ho pomocou lepidla na pritlačenie káblov (ako je znázornené na obrázku 2).

## Prevádzka s aplikáciou Clean Air Optima<sup>®</sup>

### Pripojenie

#### Kompatibilita so smartfónmi a tabletmi:

iPhone, iPad a zariadenia so systémom Android

#### Zariadenie sa pripája cez WiFi pomocou aplikácie:

CleanAirOptima

**Upozornenie:** Router musí byť nastavený na širokopásmové pripojenie 2,4 GHz. Ak je router nastavený na 5,0 GHz, nie je možné nadviazať pripojenie.

### Nastavenie WiFi pripojenia

1. Stiahnite si a nainštalujte aplikáciu Clean Air Optima<sup>®</sup> z App Store alebo Google Play Store.
2. Vytvorte si účet a prihláste sa.
3. Zapojte zariadenie do elektrickej zásuvky a zapnite ho. Po zapnutí dlho stlačte tlačidlo WiFi na 3 sekundy, kontrolka WiFi bude rýchlo blikať. Pripojenie je možné spustiť, iba ak kontrolka WiFi bliká. Červené krúžkované svetlo by malo blikať.
4. The router must be set to the 2.4 GHz broadband. If the router is set to the 5.0 GHz, no connection can be established.
5. Uistite sa, že je na vašom smartfóne povolené rozhranie Bluetooth.
6. Uistite sa, že váš smartfón alebo tablet je úspešne pripojený k vašej WiFi sieti.
7. Otvorte aplikáciu Clean Air Optima<sup>®</sup> a kliknite na „Pridať zariadenie“ . Vaše zariadenie je uvedené v zozname a môžete ho vybrať. Ak nie je, vyberte „Automatické skenovanie“. Postupujte podľa pokynov na obrazovke a pripojte zariadenie k sieti.
8. V aplikácii vyberte pridanie zariadenia Clean Air Optima<sup>®</sup> a postupujte podľa pokynov v aplikácii.
9. Po spárovaní zariadenia bude kontrolka WiFi  svietiť nepretržite.
10. Po úspešnej konfigurácii môžete zariadenie ovládať pomocou aplikácie Clean Air Optima<sup>®</sup>.

#### Poznámka:

- Ak sa vaša predvolená sieť zmenila, resetujte pripojenie WiFi a postupujte podľa krokov 3 až 8 v časti „Nastavenie pripojenia WiFi“.
- Ak chcete so smartfónom alebo tabletom spárovať viacero zariadení, musíte to urobiť jedno po druhom.
- Uistite sa, že vzdialenosť medzi smartfónom alebo tabletom a zariadením je menšia ako 5 metrov a že medzi nimi nie sú žiadne prekážky. Taktiež sa uistite, že ste v rovnakej miestnosti ako zariadenie.

#### Resetovanie funkcie WiFi:

- Resetujte WiFi stlačením tlačidiel „Režim“ a „Časovač“ na 3 sekundy, kontrolka WiFi bude rýchlo blikať.



## Pripojenie zariadení k viacerým telefónom

Poznámka: Najprv si druhá osoba musí nainštalovať aplikáciu Clean Air Optima® do svojho telefónu a vytvoriť si nový účet.

### Zdieľanie zariadenia s obmedzeným prístupom:

Môžete si vybrať zdieľanie 1 zariadenia s viacerými osobami.

Táto osoba potom bude mať prístup, ale nebude môcť spravovať všetky nastavenia.

Postupujte podľa pokynov nižšie a zdieľajte zariadenie s viacerými osobami:

1. Prejdite na príslušné zariadenie.
2. Prejdite na ceruzku alebo tri bodky v pravom hornom rohu.
3. Vyberte možnosť „Zdieľať zariadenie“.
4. Vyberte možnosť „Pridať zdieľanie“.
5. Vyberte spôsob zdieľania, napr. prostredníctvom e-mailu, WhatsAppu, SMS atď. a pokračujte.
6. Zariadenie sa automaticky zobrazí v aplikácii Clean Air Optima® s druhým účtom.

### Zdieľanie zariadenia s plným prístupom:

Do správy domácnosti môžete pridať jednu alebo viacero osôb.

Táto osoba bude mať potom prístup ku všetkým vašim zariadeniam, ktoré sú už prepojené, a bude mať plné práva a povolenia. Vy vždy zostanete hlavným správcom.

Ak chcete niekoho pridať do správy domácnosti, postupujte podľa pokynov nižšie:

1. Otvorte aplikáciu Clean Air Optima® a prejdite na „Ja“.
2. Potom vyberte „Správa domácnosti“.
3. Vyberte „Vytvoriť domácnosti“.
4. Vyberte príslušnú možnosť „Domov“ a „Pridať člena“.
5. Vyberte spôsob zdieľania, napr. prostredníctvom e-mailu, WhatsAppu, SMS atď. a pokračujte.
6. Príslušná „Domov“ sa automaticky zobrazí v aplikácii Clean Air Optima® osoby, s ktorou ste zdieľali svoj „Domov“.
7. Na druhom účte:  
Prejdite z aplikácie Clean Air Optima® na domovskú obrazovku. Prejdite do ľavého horného rohu a vyberte možnosť „Domov“.

## Diaľkové ovládanie

### ZAP./VYP

Stlačením tlačidla napájania zapnete a vypnete zariadenie. (Predvolený je automatický režim po zapnutí zariadenia).

### RÝCHLOSŤ

Stlačením tlačidla „Rýchlosť“ môžete zmeniť úroveň rýchlosti. 3 rýchlosti ventilátora ponúkajú individuálne prúdenie vzduchu.

### ČASOVAČ

Stlačením tlačidla „Časovač“ nastavíte časovač na „automatické vypnutie“ v rozsahu medzi 1, 4 a 8 hodinami.

### DETSKÁ POISTKA

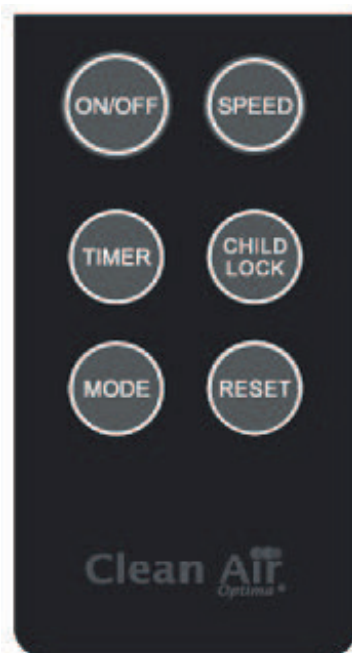
Detská poistka sa zapne/vypne stlačením tlačidla „Detská poistka“ na približne 3 sekundy.

### REŽIM

Stlačením tlačidla Režim prepínate medzi režimom a funkciou spánku.

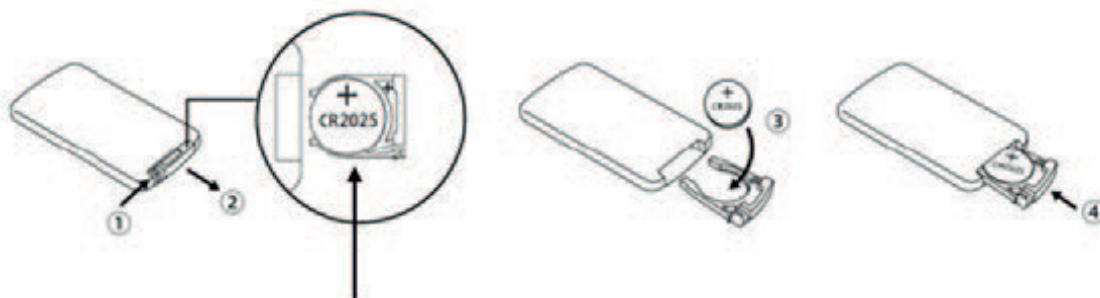
### RESET

Resetujte časovač kompozitného filtra stlačením a podržaním tlačidla Reset na približne 3 sekundy.



## Výmena batérie

1. Otvorte držiak batérie na zadnej strane diaľkového ovládača stlačením poistnej západky (krok 1) doprava palcom a potom vytiahnite držiak batérie (krok 2).
2. Vyberte starú batériu a vložte novú batériu (typ CR2025,3V) so správnou polaritou (krok 3).
3. Vložte novú batériu (typ CR2025,3V).
4. Zatlačte držiak batérie späť do diaľkového ovládača (krok 4).



Batéria (typ CR2025)

## Bezpečnostné opatrenia

1. Ak diaľkový ovládač dlhší čas nepoužívate, vyberte batériu, aby ste predišli jej vytečeniu a poškodeniu ovládača.
2. Diaľkový ovládač používajte v dosahu čističky vzduchu.
3. Ak diaľkový ovládač nefunguje správne, vyberte batériu a po 30 sekundách ju vložte späť. Ak stále nefunguje správne, vymeňte batériu.

## Údržba

### Čistenie vonkajšej strany čističky vzduchu

1. Vypnite zariadenie a vytiahnite zástrčku zo siete.
2. Na vyčistenie zariadenia od prachu a nečistôt použijete mäkkú a vlhkú handričku.
3. Uistite sa, že sa do zariadenia nedostala voda.

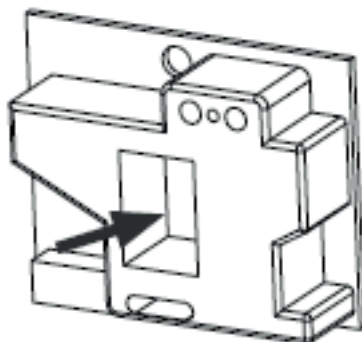
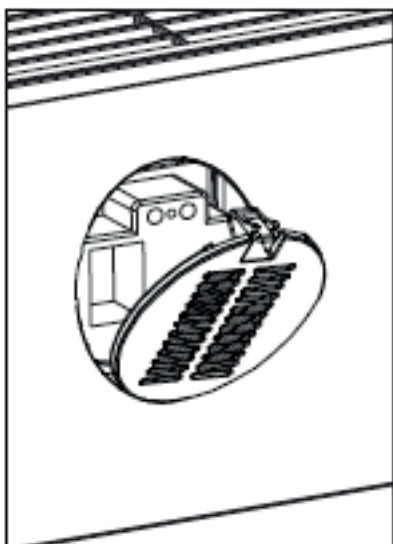
### Čistenie inteligentného senzora častíc™

#### Snímač kvality vzduchu čistíte každých 6 až 8 týždňov.

Ak sa hodnota PM 2,5 zobrazuje nesprávne, na vyčistenie šošovky senzora môžete použiť vatový tampón.

1. Odstráňte kryt senzora.
2. Vyčistite šošovku senzora vatovým tampónom a vodou podľa šípky. Potom šošovku osušte čistým vatovým tampónom.
3. Nasadte kryt senzora.
4. Neutierajte šošovku senzora alkoholom ani iným organickým rozpúšťadlom.

**Pozor!** Ak je vlhkosť v miestnosti veľmi vysoká, hrozí riziko kondenzácie na senzore kvality vzduchu. To môže spôsobiť, že indikátor kvality ovzdušia (digitálny displej – meranie častíc) bude indikovať, že kvalita ovzdušia je zlá, hoci by to tak nemalo byť. V takom prípade odporúčame vyčistiť snímač kvality ovzdušia alebo nepoužívať čističku vzduchu v automatickom režime.



## Výmena filtrov

Inteligentná čistička vzduchu **Clean Air Optima CA-509Pro Smart** je vybavená mechanizmom sledovania životnosti filtrov, ktorý signalizuje potrebu výmeny filtrov po 2 000 prevádzkových hodinách. Čistička vzduchu bliká, aby signalizovala potrebu výmeny kompozitných filtrov (**HEPA + filter s aktívnym uhlím**). Časovač kompozitného filtra resetujte stlačením a podržaním tlačidiel Speed a Timer (približne 3 sekundy). Ak kontrolka zhasne, časovač bol úspešne resetovaný.

**V závislosti od použitia majú kompozitné filtre (HEPA + filter s aktívnym uhlím) životnosť približne 6 – 8 mesiacov.**

### Čistenie filtra

Najlepší účinok sa dosiahne čistením filtrov raz mesačne. Ak je vnútorný vzduch extrémne znečistený, môže byť potrebné častejšie čistenie.



**Predfilter a HEPA filter** vyčistíte kefou alebo vysávačom. Takto môžete z filtra odstrániť väčšie prachové častice, ako sú vlákna, vlasy a chlpy domácich zvierat.

**Upozornenie!** Kompozitné filtre (**HEPA + filter s aktívnym uhlím**) nikdy nenamáčajte ani neoplachujte vodou.

### Známky opotrebovaných filtrov

Zvýšený hluk, znížený prietok vzduchu, upchaté filtre, zvýšená prítomnosť zápachu. Filter je potrebné vymeniť za nový, keď HEPA filter zmení farbu z bielej na sivú alebo čiernu. Ak HEPA filter zostane biely, NIE JE potrebné filter vymieňať.

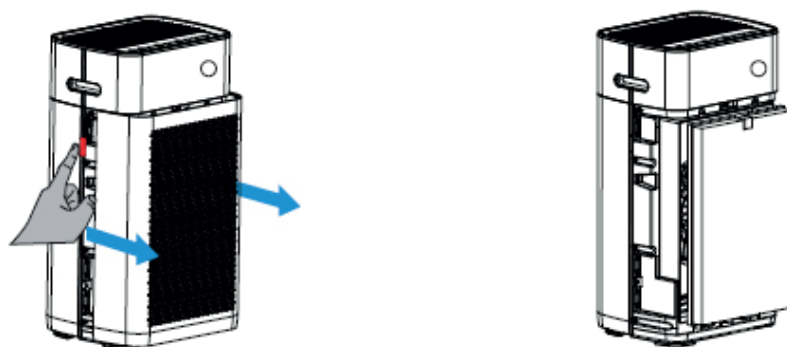
### Ako objednať filtre:

Kontaktujte zákaznicky servis Clean Air Optima na tel. čísle +31 (0) 742670145 alebo navštívte náš internetový obchod:

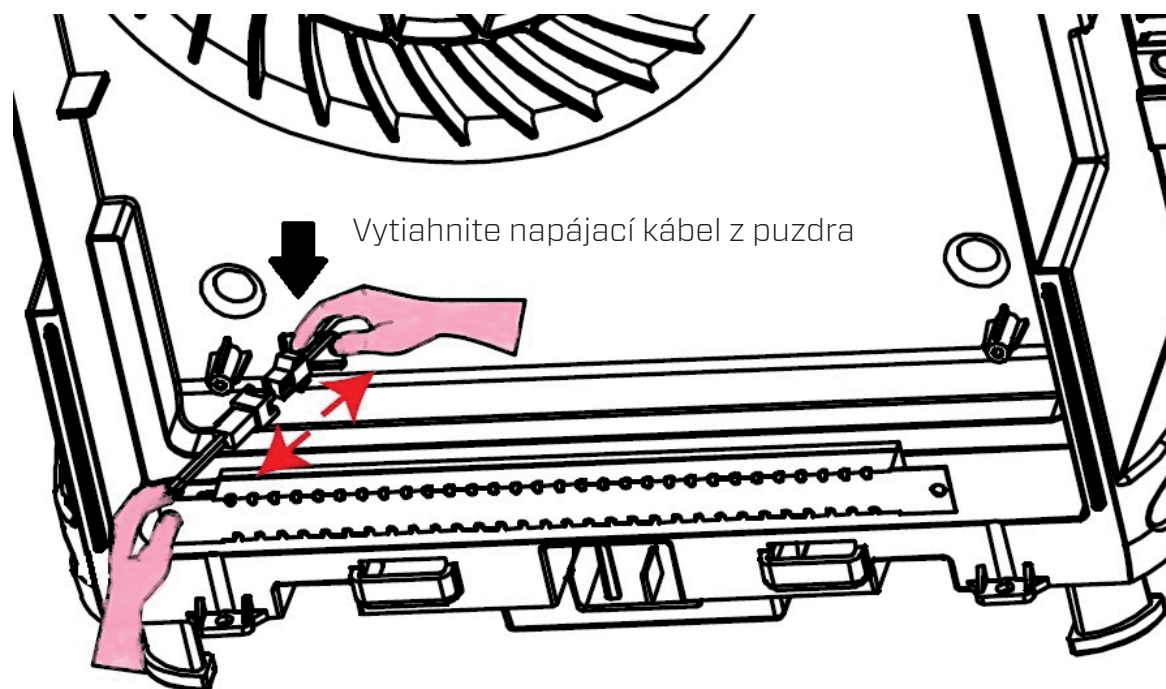
<https://www.cleanairoptima.com>

## Výmena UV LED lúčiek (na prednej a zadnej strane jednotky)

Obe UV LED lampy čističky vzduchu Clean Air Optima CA-509Pro Smart majú životnosť 8 000 prevádzkových hodín = 1 rok nepretržitej prevádzky. UV LED lampy by sa mali vymeniť po 8 000 hodinách prevádzky alebo ak kontrolka (UV) na displeji zhasne.



1. Vypnite zariadenie a vytiahnite zástrčku zo zásuvky.
2. Stlačte uvoľňovacie tlačidlá oboma prstami a odstráňte predný a zadný kryt.
3. Vyberte filtre (predný a zadný).



4. Pomocou krížového skrutkovača odstráňte skrutky z kovového krytu oboch UV LED lúčiek (predných aj zadných).
5. Ťahajte napájací kábel z krytu smerom k sebe, kým nevidíte zástrčkové konektory. Odomknite zástrčkové konektory, pozri obrázok.
6. Teraz môžete namontovať nové UV LED lampy. Po namontovaní UV LED lúčiek sa kontrolka (UV) opäť rozsvieti.

### Ako objednať UV LED lampy:

Kontaktujte zákaznícky servis Clean Air Optima na čísle +31 (0) 742670145 alebo navštívte náš internetový obchod: <https://www.cleanairoptima.com>

## Riešenie problémov

Nasleduje návod na riešenie problémov, ktorý vám pomôže vyriešiť akékoľvek problémy, ktoré sa môžu vyskytnúť pri používaní inteligentnej čističky vzduchu **Clean Air Optima CA-509Pro Smart**.

Problém	Možná príčina	Riešenie
Zariadenie sa nezapne	Napájací kábel nie je správne pripojený. Napájací kábel je poškodený. Predný alebo zadný panel nie je správne nainštalovaný.	Správne zapojte zástrčku a zásuvku. Vráťte napájací kábel. Správne nainštalujte panel. Pozri kapitolu: Návod na použitie.
Výfuk vzduchu nepríjemne zapácha	Filter zachytáva príliš veľa zápachu alebo prachu. Životnosť filtrov uplynula.	Výmena kompozitných filtrov
Slabý čistiaci účinok	Skontrolujte, či nie je vlhkosť v miestnosti príliš suchá. Zariadenie je umiestnené v nevetranej miestnosti alebo je obklopené prekážkami.	Zvýšte vlhkosť Odstráňte prekážky
Z prístroja nefúka žiadny vzduch	Prívod alebo odvod vzduchu je blokováný	Odstráňte prekážky
Diaľkové ovládanie nefunguje	Skontrolujte, či je batéria vložená Skontrolujte, či je batéria správne vložená Skontrolujte kapacitu batérie Skontrolujte, či vzdialenosť diaľkového ovládača presahuje dosah	Vložte batériu Správne vložte batériu Vymeňte batériu Dosah je do 5 metrov od prednej strany zariadenia
Prevádzka s aplikáciou Clean Air Optima® nefunguje	Smartfón alebo tablet nie je pripojený k sieti Wi-Fi Zariadenie nemá pripojenie k sieti	Zariadenie resetujte súčasným stlačením a podržaním tlačidiel STAND a TIMER na tri sekundy. Indikátor WiFi bude blikať. Potom postupujte podľa krokov 4 až 8 z kapitoly „Prevádzka s aplikáciou Clean Air Optima®“.

## UPOZORNENIE!

Ak vyššie uvedené odporúčané riešenia nefungujú, kontaktujte technickú podporu Clean Air Optima na telefónnom čísle pre váš región. Nepokúšajte sa zariadenie rozoberať, znova skladať ani opravovať, pretože by to mohlo viesť k strate záruky.

## Špecifikácie

Model	CA-509Pro Smart
Pre miestnosti do	90m <sup>2</sup> / 225m <sup>3</sup> / 970ft <sup>2</sup>
Menovité napätie	220V - 240V, 50Hz/60Hz
Menovitý výkon	Max. 53W
Kapacita ventilátora(CADR)	400 m <sup>3</sup> /h (pevné častice) - 100 m <sup>3</sup> /h (formaldehyd)
Výkon filtra	99,97%
Miera sterilizácie	99.9%
Negatívne ióny	2.000.000 ions/cm <sup>2</sup>
Hladina hluku	Tichý ventilátor < 20 dB(A) Nízky 1 / 35 dB(A) Stredný 2 / 55 dB(A) Turbo 3
Rozmery	560 x 320 x 210mm
Hmotnosť	7.5kg
Farba	Obývací biela
V súlade s predpismi EÚ	CE / WEEE / RoHS

**Aktuálne informácie týkajúce sa likvidácie obalu a zariadenia získate od svojho predajcu alebo obce.**



## Servis

### Záručný list pre inteligentnú čističku vzduchu Clean Air Optima CA-509Pro Smart.

Dátum nákupu: .....

Meno zákazníka: .....

Adresa: .....

Telefón: .....

E-mail: .....

Meno predajcu: .....

Adresa: .....

1. Prosím, úplne vyplňte tento záručný list. Pošlite ho spolu s faktúrou a zariadením, s predplateným poštovným a v originálnej škatuli, vášmu distribútorovi. Nezabudnite priložiť príslušné spätné poštovné za balík.
2. Priložte prosím krátky popis poškodenia, poruchy alebo poruchy a okolnosti, za ktorých k týmto problémom došlo.

**Inteligentná čistička vzduchu Clean Air Optima CA-509Pro Smart** prechádza pred opustením továrne prísnyimi testovacími postupmi. Ak do 2 rokov od dátumu nákupu výrobok nefunguje podľa špecifikácií z dôvodu výrobných chýb, má kupujúci po predložení tejto záruky nárok na bezplatnú opravu alebo výmenu dielov (za predpokladu, že k poruche alebo poškodeniu zariadenia a/alebo dielov došlo za bežných prevádzkových podmienok). Čo je kryté: Všetky diely s chybným materiálom a spracovaním. Trvanie: dva roky od dátumu nákupu. Čo urobíme: Opravíme alebo vymeníme všetky chybné diely.  
Výnimky: Pravidelná výmena filtrov.

### Ďalšie podmienky

Ustanovenia tejto záruky nahrádzajú akúkoľvek inú písomnú záruku, či už výslovnú alebo implicitnú, písomnú alebo ústnu, vrátane akejkoľvek záruky predajnosti alebo vhodnosti na konkrétny účel. Maximálna zodpovednosť výrobcu nepresiahne skutočnú kúpnu cenu, ktorú ste za produkt zaplatili. Výrobca v žiadnom prípade nezodpovedá za špeciálne, náhodné, následné alebo nepriame škody. Táto záruka sa nevzťahuje na vadu, ktorá vznikla v dôsledku nesprávneho alebo neprimeraného používania alebo údržby, chybnnej montáže, nehody, prírodných katastrof, nesprávneho balenia alebo neoprávnenej manipulácie, zmeny alebo úpravy, ktorú určíme výlučne my. Táto záruka je neplatná, ak bol štítok so sériovým číslom odstránený alebo poškodený.

# Ďakujem za prečítanie!



Podel'te sa s nami o svoj názor na inteligentnú  
čističku vzduchu Clean Air Optima CA-509Pro Smart  
na: [www.cleanairoptima.com](http://www.cleanairoptima.com)



Často kladené otázky o zariadení CA-509Pro Smart nájdete na stránke: [www.cleanairoptima.com](http://www.cleanairoptima.com) a vyhľadajte CA-509Pro Smart.



Stiahnite si návod na obsluhu vo formáte PDF na  
stránke: [www.cleanairoptima.com/info/manuals](http://www.cleanairoptima.com/info/manuals)



Pozrite si všetky animované videá  
o produkte Clean Air Optima na:  
[www.youtube.com](http://www.youtube.com)

**Clean Air Optima International B.V.** | Rientjesoven 26 | 7621 HG Borne  
Holandsko | Telefón: +31 (0) 74 - 2670145

**Clean Air Optima Germany GmbH** | Enschedestraße 14 | 48529 Nordhorn  
Nemecko | Telefón: +49 (0) 5921 879-121

**E-mail:** [info@cleanairoptima.com](mailto:info@cleanairoptima.com)

**Internet:** [www.cleanairoptima.com](http://www.cleanairoptima.com)

## Română

### Vă mulțumim că ați achiziționat purificatorul inteligent de aer Clean Air Optima CA-509Pro Smart.

Vă dorim mulți ani de aer interior sănătos cu acest produs eficient și eficace.

Pentru funcționarea corectă a dispozitivului, asigurați-vă că sunt respectate toate măsurile de precauție pe durata utilizării sale. Aceste instrucțiuni descriu măsurile de precauție care trebuie respectate pe durata funcționării. Acestea sunt menite să prevină rănilile și să evite deteriorarea dispozitivului.

### Înainte de a utiliza noul dvs. purificator inteligent de aer Optima Intelligent CA-509Pro Smart.

Scoateți mai întâi etanșarea de pe filtre, consultați pagina 5. Mod de utilizare.

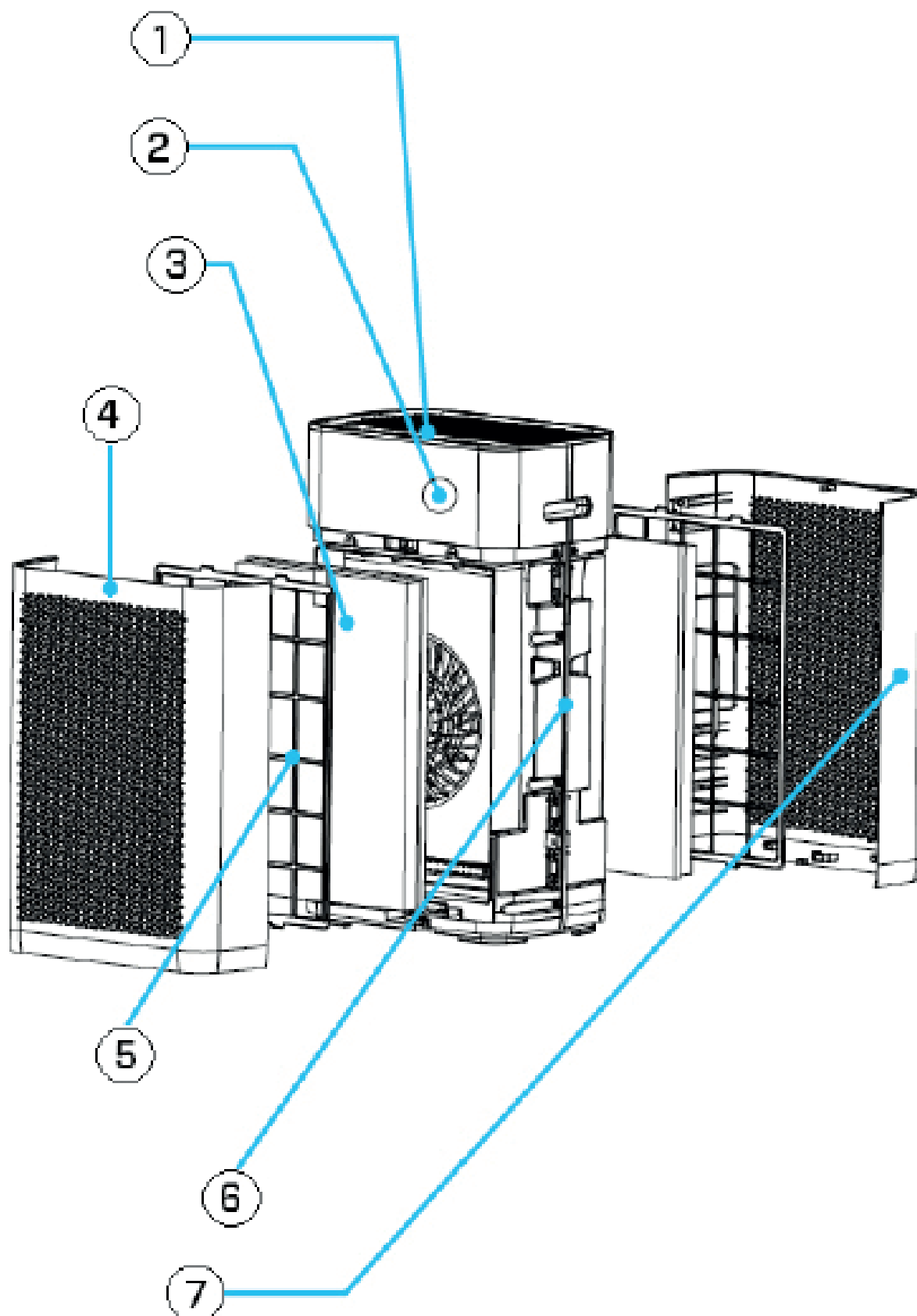


### Descrierea aparatului

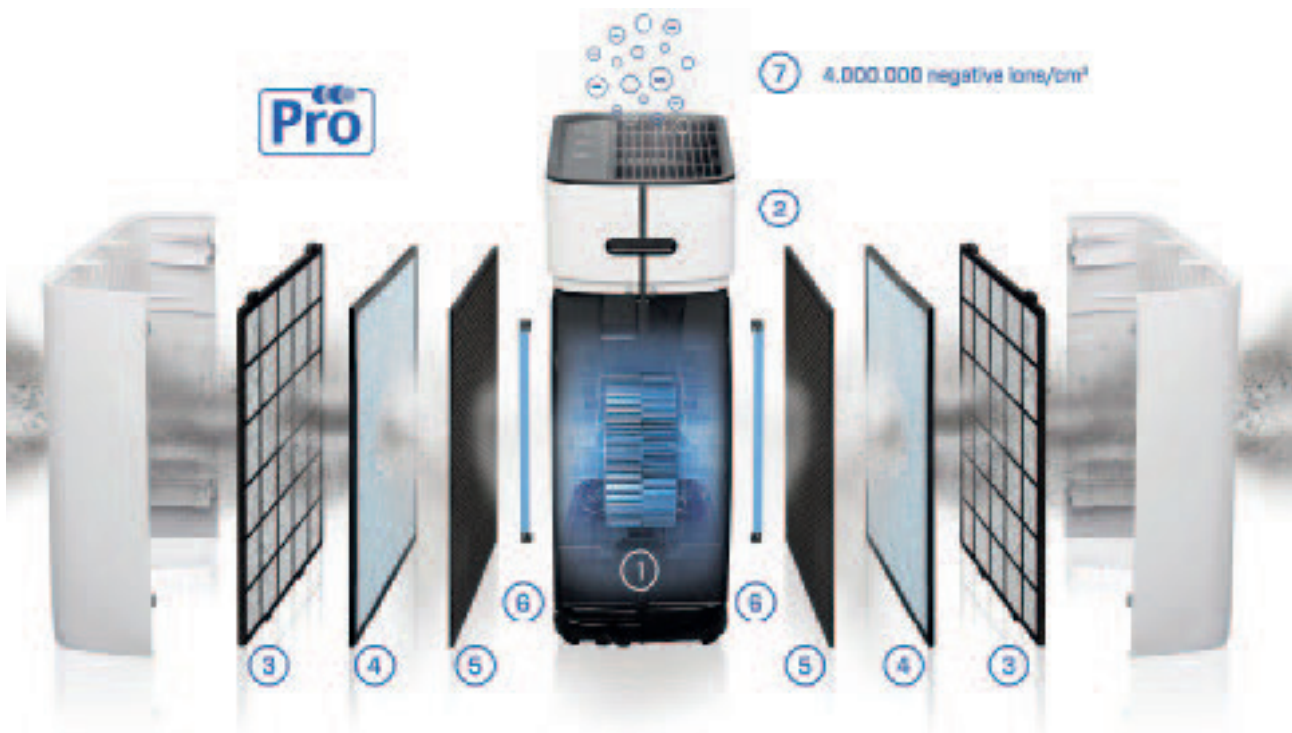
Aparatul constă din următoarele componente principale:

1. Panou de comandă
2. Monitor digital pentru calitatea aerului din interior
  - PM2,5 Măsurarea particulelor
  - Umiditatea relativă a aerului în %
  - Temperatura în °C
3. Filtru compozit: TRUE HEPA și filtru cu carbon activ
4. Panou frontal
5. Prefiltru
6. Partea principală a purificatorului de aer
7. Panou posterior

## CA-509Pro Smart/ Unitate principală



## Sistem dublu de fluxuri de aer - Sistem filtru dublu - Ionizator dublu pentru purificarea dublă a aerului!



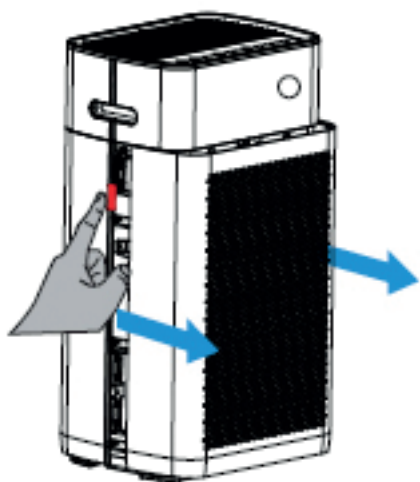
1. Ventilator dublu
2. Senzor inteligent de particule™
3. Prefiltru
4. Filtru Nano-Zilver True HEPA
5. Filtru cu carbon activ
6. Lampă cu LED UV
7. Ionizator dublu

## Avertismente privind siguranța

Acest dispozitiv poate fi utilizat numai în conformitate cu aceste instrucțiuni de siguranță. Luați următoarele măsuri pentru a reduce riscul de vătămare corporală provocată, de exemplu, de șocuri electrice sau incendiu.

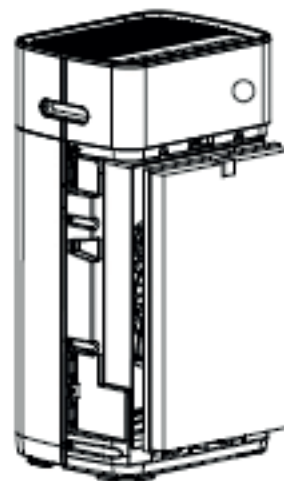
1. Numai pentru utilizarea la interior. Nu-l folosiți sau depozitați în exterior.
2. Aparatul nu este destinat utilizării de către copii sau persoane cu capacități fizice, senzoriale sau mentale reduse, decât dacă acestea sunt supravegheate de o persoană responsabilă pentru siguranța acestora.
3. Nu utilizați dispozitivul atunci când există deteriorări vizibile pe cablul electric sau pe dispozitivul însuși. Nu reparați dvs. înșivă dispozitivul în caz de deteriorare. Nu manevrați dispozitivul trăgându-l de cablu. În cazul în care cablul de alimentare este deteriorat, acesta trebuie înlocuit de o persoană de service autorizată pentru a preveni electrocutarea sau incendiul.
4. Reparațiile pot fi efectuate numai de personal de service autorizat. Nu încercați să reparați dvs. înșivă dispozitivul, pentru a preveni electrocutarea sau incendiul.
5. Scoateți întotdeauna fișa cablului atunci când dispozitivul nu este utilizat.
6. Utilizați numai cablurile furnizate.
7. Scoateți fișa atunci când nu utilizați dispozitivul sau când curățați părțile interne sau externe ale acestuia.
8. Pentru utilizarea în condiții de siguranță, puneți dispozitivul într-o poziție orizontală, stabilă. Nu mișcați dispozitivul în timpul funcționării.
9. Nu utilizați dispozitivul în încăperi în care sunt depozitate lichide sau gaze inflamabile sau în apropierea surselor de căldură sau în încăperi deosebit de umede, cum ar fi baia.
10. Nu introduceți niciodată alt obiect în corpul dispozitivului pentru a evita defectarea.
11. Nu acoperiți niciodată grila de admisie sau de evacuare a aerului.
12. Nu demontați și nici nu înlocuiți componentele interioare ale dispozitivului.
13. Când dispozitivul funcționează, nu atingeți grilele de admisie și de evacuare a aerului și nu introduceți mânerul sau niciun obiect în orificiul de evacuare a aerului pentru a evita rănirea sau deteriorarea purificadorului de aer.
14. Pentru a nu bloca grila de admisie și de evacuare a aerului purificat, nu așezați obiecte deasupra sau în apropierea capacului frontal al purificadorului de aer.
15. Nu puneți obiecte grele pe unitate.
16. Evitați locurile cu lumină solară directă. Există riscul ca dispozitivul să se decoloreze.
17. Nu scufundați niciodată aparatul în apă sau alte lichide.
18. Nu atingeți cablul de alimentare cu mâinile ude.
19. Curățați prefiltrul în mod regulat, dacă prefiltrul este saturat cu praf, va duce la un efect de purificare necorespunzător. Consumul de energie va crește și poate provoca defectiuni.
20. Mediul de funcționare normală a dispozitivului este cuprins între 0 °C și 40 °C.
21. Utilizați, întrețineți și curățați dispozitivul conform descrierii din acest manual.

## Mod de utilizare (instalare filtru pentru față și spate)



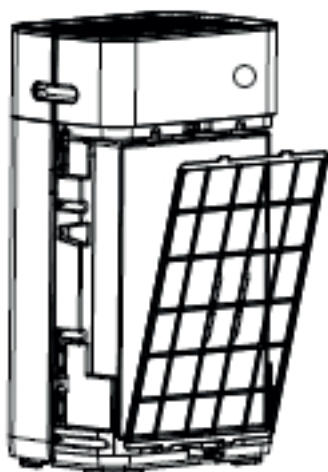
### 1. Dezasamblați panoul

Apăsați pe pictograma roșie indicată în partea stângă și dreaptă a purificatorului de aer, cu ambele degete, consultați figura. Trageți panoul spre dvs., așa cum este indicat de săgețile albastre.



### 2. Instalați filtrul compozit

Scoateți etanșarea de pe filtre. Plasați filtrele înapoi în dispozitiv. Robinetul de pe partea inferioară și partea de sus trebuie să fie vizibil în față (partea HEPA din filtru este vizibilă).



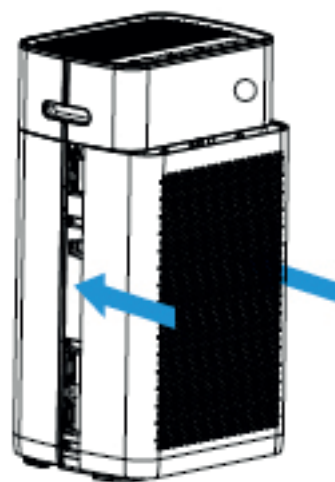
### 3. Instalați prefiltrul

Instalați prefiltrul cu protuberanța neagră spre exterior. Puneți partea inferioară a acestuia în fanta inferioară și împingeți ușor partea superioară (cu săgeți) în fanta superioară.



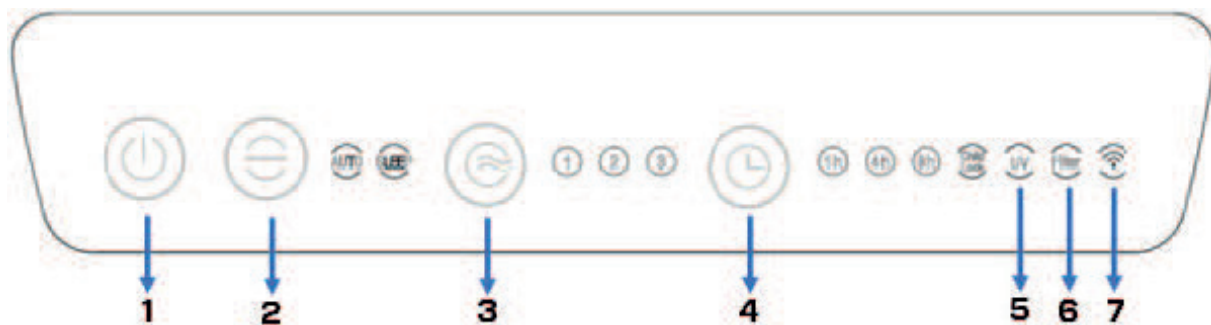
### 4. Instalați panoul

Împingeți panoul frontal paralel de-a lungul marginilor superioare și inferioare în direcția indicată în albastru, consultați figura. Când auziți un clic, atunci panoul este instalat.



Dispozitivul trebuie poziționat la o distanță de cel puțin 30 cm de pereți și mobilier pentru a obține un debit bun de aer. Asigurați-vă că orificiile de admisie și de evacuare a aerului nu sunt blocate.

## Panou de comandă/Instrucțiune de operare



### 1 Buton de pornire

Apăsând butonul de pornire, porniți și opriți dispozitivul. (Implicit este modul automat după pornirea dispozitivului).

### 2 Mod

Apăsarea butonului Mod pentru funcția Auto și Hibernare.

În setarea **Auto** senzorul inteligent integrat (Intelligent Particle Sensor™) măsoară și reglează automat calitatea aerului. Ventilatorul, controlat de un senzor, anticipează în mod automat în ce măsură aerul din interior este poluat de particule cu dimensiunea PM2,5 și se adaptează la cele trei viteze diferite în consecință.

În setarea **Hibernare** indicatorul luminos este aprins. Indicatorul luminos, inclusiv afișajul digital, se vor stinge după 5 secunde. Apăsați orice tastă pentru a reporni indicatorul luminos și afișajul digital. Indicatorul luminos și monitorul digital se vor stinge din nou după 5 secunde. (Ventilatorul funcționează la cel mai mic nivel de viteză).

### 3 Viteză

Prin apăsarea butonului Viteză, puteți schimba nivelul de viteză. Cele trei viteze ale ventilatorului oferă un debit individual de aer. (1-2-3 înseamnă creșterea vitezei aerului).

### 4 Temporizator

Apăsați pe butonul Temporizator pentru a seta temporizatorul la „comutare automată” într-un interval cuprins între 1, 4 și 8 ore. Numărul de ore selectate poate fi citit pe afișajul temporizatorului.

### 5 Lampă cu LED-uri UV

Lămpile LED-uri UV trebuie înlocuite după 8.000 de ore de funcționare sau dacă lumina indicatorului (UV) de pe afișaj se stinge.

### 6 Filtru

Dacă indicatorul luminos clipește, filtrul compozit (HEPA și filtrul cu carbon activ) trebuie să fie înlocuit. Filtrul compozit are o durată de viață de 2.000 de ore.

### 7. WiFi

Indicator WiFi.

### 2 + 3 Blocare pentru copii

Blocarea pentru copii protejează împotriva utilizării nedorite a dispozitivului.

Blocarea pentru copii este activată/dezactivată prin apăsarea simultană a butoanelor Mod și Viteză.

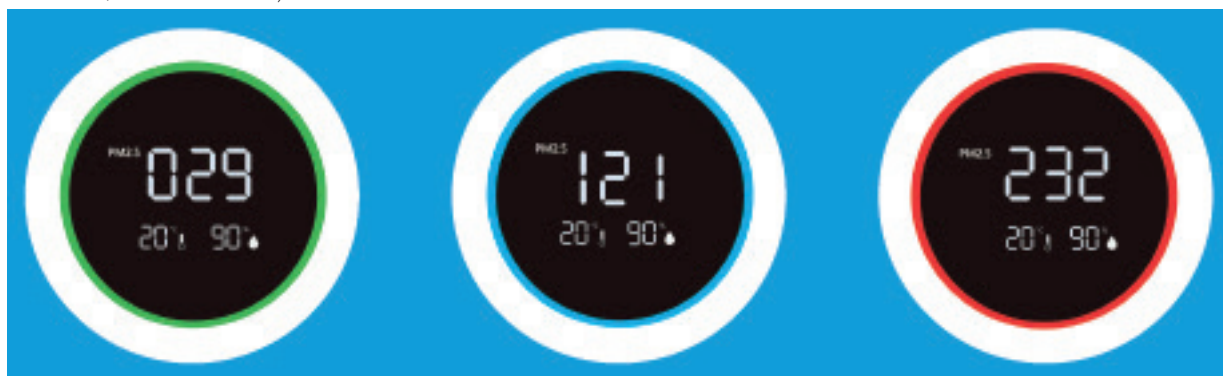
Indicatorul luminos de blocare pentru copii este aprins.

### 3 + 4 Resetarea filtrului

Resetați temporizatorul pentru filtrul compozit apăsând și menținând apăsat butonul Viteză și Temporizator (timp de aproximativ 3 secunde). Dacă indicatorul luminos se stinge, temporizatorul a fost resetat cu succes.

## Monitor digital

Monitorul digital de pe partea frontală a purificatorului de aer CA-509Pro Smart indică automat și precis calitatea aerului prin măsurarea nivelului de măsurare a particulelor PM2,5, a umidității interioare și a temperaturii.



**Verde** - bine:  
0-80ug/m<sup>3</sup>

**Albastru** - mediu:  
80-150ug/m<sup>3</sup>

**Roșu** - rău:  
150 ug/m<sup>3</sup> sau mai mult

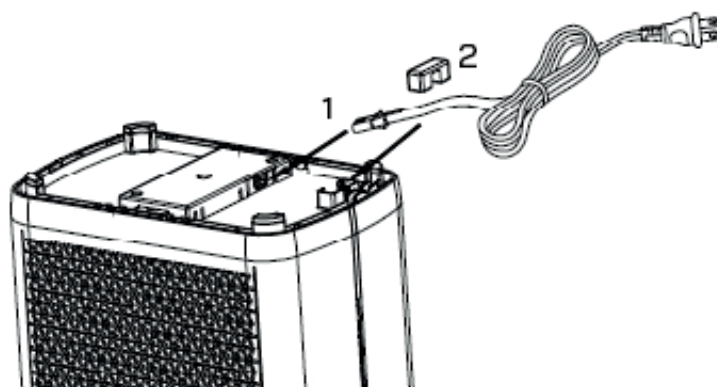
Particulele de 10 μm (PM10) și mai mici 2,5 μm (PM2,5) pot ajunge în plămâni și fac parte din primele zece amenințări pentru sănătatea umană. Aceste particule mici se dezvoltă prin procese tipice de interior, cum ar fi gătit, coacere, prăjire, fumat, precum și încălzire sau transportate în cantități mari în aerul interior din cauza transportului, industriei, construcțiilor, materialului biologic (polen, bacterii, acarieni și virusuri), particulele importate din umiditate remanentă, cum ar fi gazele de eșapament (ale avioanelor) și erupțiile vulcanice.

Alergenii, cum ar fi polenul și praful, provoacă amenințări grave și de lungă durată la adresa sănătății a milioane de persoane în fiecare primăvară: numerele cresc în mod constant.

Măsurarea umidității relative și a temperaturii

Aspecte importante pentru o purificare eficientă a aerului: umiditatea relativă între 45-60 % și temperatura camerei de aproximativ 20-23 °C

## Cablu de alimentare



1. Scoateți adezivul din cablul de alimentare din partea inferioară a dispozitivului și introduceți capătul cablului de alimentare în priza din partea inferioară a dispozitivului (după cum se arată în figura 1).
2. Puneți linia de alimentare în fanta de cablu și fixați-o cu adezivul de presare a firului (așa cum se arată în figura 2).

## Funcționare cu aplicația Clean Air Optima<sup>®</sup>



### Conectivitate

**Compatibilitate cu smartphone și tabletă:**  
dispozitive iPhone, iPad și Android

**Dispozitivul se conectează prin WiFi cu aplicația:**  
CleanAirOptima

**Atenție:** Routerul trebuie să fie setat pe banda largă de 2,4 GHz. Dacă routerul este setat pe 5,0 GHz, este imposibil să se stabilească o conexiune.

### Configurarea conexiunii WiFi

1. Descărcați și instalați aplicația „CleanAirOptima” din App Store sau Google Play Store.
2. Creați un cont și conectați-vă.
3. Conectați dispozitivul la priza de alimentare și porniți-l. Indicatorul WiFi va lumina intermitent.
4. Routerul trebuie să fie setat pe banda largă de 2,4 GHz. Dacă routerul este setat pe 5,0 GHz, nu se poate stabili nicio conexiune.
5. Asigurați-vă că funcția Bluetooth este activată pe smartphone-ul dumneavoastră.
6. Asigurați-vă că smartphone-ul sau tableta sunt conectate cu succes la rețeaua WiFi.
7. Deschideți aplicația „CleanAirOptima” și faceți clic pe „Add device” (Adăugare dispozitiv) . Dispozitivul dvs. este listat și îl puteți selecta. Dacă nu, alegeți „Auto Scan” (Scanare automată). Urmați instrucțiunile de pe ecran pentru a conecta dispozitivul la rețea.
8. Alegeți să adăugați dispozitivul Clean Air Optima<sup>®</sup> în aplicație, urmați instrucțiunile din aplicație.
9. Când dispozitivul este asociat, indicatorul luminos WiFi  rămâne aprins constant.
10. După ce configurarea are succes, puteți utiliza aplicația Clean Air Optima<sup>®</sup> pentru a utiliza dispozitivul.

### Notă:

- Dacă rețeaua dvs. implicită s-a schimbat, resetați conexiunea WiFi, urmați pașii de la 3 la 8 din secțiunea „Configurare conexiune WiFi”.
- Dacă doriți să asociați mai multe dispozitive cu smartphone-ul sau tableta dvs., trebuie să faceți acest lucru unul după altul.
- Asigurați-vă că distanța dintre smartphone sau tabletă și dispozitiv este mai mică de 5 metri și că nu există obstacole. De asemenea, asigurați-vă că vă aflați în aceeași cameră cu dispozitivul.

### Resetați funcția WiFi:

- Resetați WiFi apăsând butonul „Mode” și „Temporizator” timp de 3 secunde, indicatorul luminos al WiFi va clipi rapid.



## Conectați dispozitivele la mai multe telefoane

Notă: Mai întâi, cealaltă persoană trebuie să instaleze aplicația Clean Air Optima® pe telefonul său și să creeze un cont nou.

### Partajați dispozitivul cu acces limitat:

Puteți alege să partajați 1 dispozitiv cu mai multe persoane.

Această persoană va avea apoi acces, dar nu va putea gestiona toate setările.

Urmați instrucțiunile de mai jos pentru a partaja dispozitivul cu mai multe persoane:

1. Accesați dispozitivul relevant.
2. Mergeți la creion sau trei puncte din dreapta sus.
3. Selectați „Share device” (Partajare dispozitiv).
4. Alegeți „Add sharing” (Adăugare partajare).
5. Alegeți metoda de partajare, de ex. prin e-mail, whatsapp, sms etc. și continuați.
- 6 Dispozitivul va apărea automat în aplicația Clean Air Optima® cu celălalt cont.

### Partajați dispozitivul cu acces complet:

Puteți adăuga o persoană sau mai multe persoane la managementul casei dvs.

Persoana respectivă va avea apoi acces la toate dispozitivele dvs. care sunt deja conectate și are drepturi și permisiuni complete. Veți rămâne întotdeauna administratorul principal.

Urmați instrucțiunile de mai jos pentru a adăuga pe cineva la gestionarea casei dvs.:

1. Deschideți aplicația Clean Air Optima® App și accesați „Me” (Eu).
2. Apoi alegeți „Home Management” (Gestionare locuință).
3. Alegeți „Create a home” (Creare locuință).
4. Selectați „Home” (Locuință) și „Add member” (Adăugare membru).
5. Alegeți metoda de partajare, de ex. prin e-mail, whatsapp, sms etc. și continuați.
- 6 „Home” (Locuință) va apărea automat în aplicația Clean Air Optima® a persoanei cu care ați partajat „Home” (Locuință).
5. Pe celălalt cont:  
Accesați ecranul de start din aplicația Clean Air Optima®. Mergeți în stânga sus și selectați „Home” (Locuință).

## Telecomandă

### PORNIRE/OPRIRE

Apăsând butonul de pornire, porniți și opriți dispozitivul. (Implicit este modul automat după pornirea dispozitivului).

### Viteză

Prin apăsarea butonului Viteză, puteți schimba nivelul de viteză. Cele trei viteze ale ventilatorului oferă un debit individual de aer.

### Temporizator

Apăsați pe butonul Temporizator pentru a seta temporizatorul la „comutare automată” într-un interval cuprins între 1, 4 și 8 ore.

### Blocare pentru copii

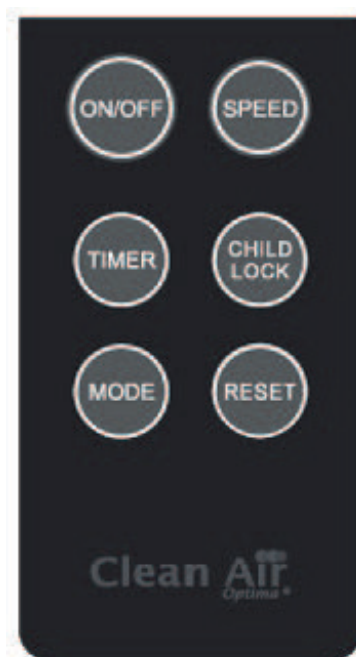
Blocarea pentru copii este activată/dezactivată prin apăsarea butonului Blocare pentru copii timp de aproximativ 3 secunde.

### Mod

Apăsați butonul Mod pentru a comuta între Mod și funcția Hibernare.

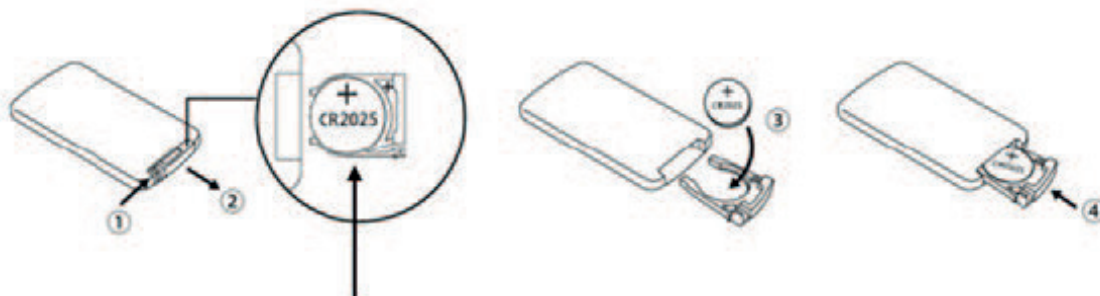
### Resetare

Resetați temporizatorul pentru filtrul compozit apăsând și menținând apăsat butonul Resetare timp de aproximativ 3 secunde.



## Înlocuirea bateriei

1. Deschideți suportul bateriei de pe partea din spate a telecomenzii apăsând cu degetul mare clapa de blocare (pasul 1) spre dreapta, apoi trageți în afară suportul bateriei (pasul 2).
2. Scoateți bateria veche și WiFi introduceți bateria nouă (tip CR2025.3V) respectând polaritatea (pasul 3).
3. Introduceți o baterie nouă (tip CR2025.3V).
4. Apăsați suportul pentru baterii înapoi în telecomandă (pasul 4).



Baterie nouă (tip CR2025)

## Măsuri de precauție

1. Dacă nu folosiți telecomanda pentru o perioadă lungă de timp, scoateți bateria pentru a preveni scurgerea și deteriorarea telecomenzii.
2. Acționați telecomanda în aria de acoperire a purificatorului de aer
3. Dacă telecomanda nu funcționează corect, scoateți bateria și puneți-o înapoi după 30 de secunde. Dacă tot nu funcționează corect, înlocuiți bateria.

## Întreținere

### Curățați exteriorul purificatorului de aer

1. Opriți dispozitivul și trageți ștecherul.
2. Utilizați o bucată de pânză moale și umedă pentru a curăța dispozitivul de praf și murdărie.
3. Asigurați-vă că **nu** intră **apă** în dispozitiv.

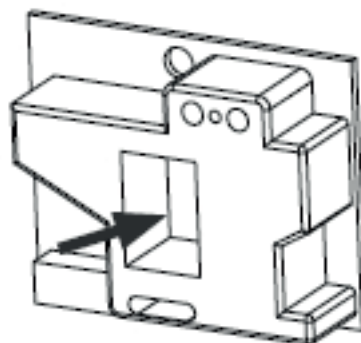
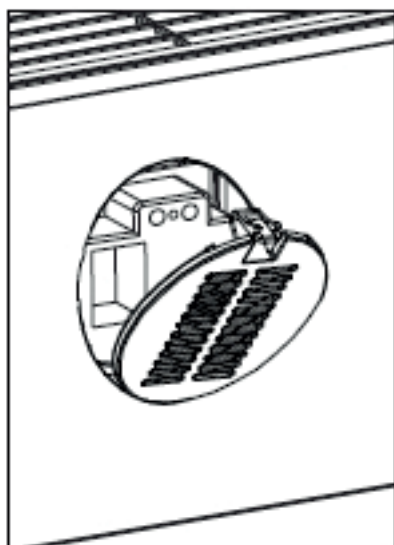
### Curățarea senzorului inteligent de particule Intelligent Particle Sensor™

#### Curățați senzorul de calitate a aerului la fiecare 6 până la 8 săptămâni.

Atunci când valoarea PM 2,5 este afișată incorect, se poate utiliza un tampon din bumbac pentru curățarea lentilei senzorului.

1. Scoateți capacul senzorului.
2. Curățați lentila senzorului cu un tampon din bumbac și apă, așa cum este indicat de săgeată. Apoi, uscați lentila cu un tampon curat din bumbac.
3. Montați capacul senzorului.
4. Nu ștergeți lentila senzorului cu alcool sau cu alt solvent organic.

**Atenție!** Dacă umiditatea din cameră este foarte ridicată, există riscul de formare a condensului în senzorul de calitate a aerului. Acest lucru poate determina ca indicatorul de calitate a aerului (afișaj digital - măsurarea particulelor) să indice faptul că este necorespunzătoare calitatea aerului, în timp ce acest lucru nu este adevărat. În acest caz, vă recomandăm să curățați senzorul de calitate a aerului sau să nu folosiți purificatorul de aer în modul automat.



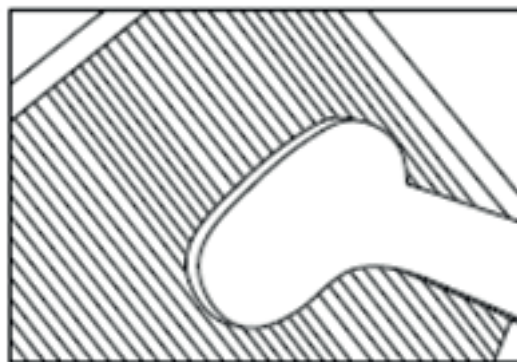
## Înlocuirea filtrelor

Purificatorul **inteligent de aer Clean Air Optima CA-509Pro Smart** este echipat cu un mecanism de supraveghere a duratei de viață a filtrului, care indică faptul că filtrele trebuie înlocuite după 2.000 de ore de funcționare. Pentru a arăta că filtrele compozite (**HEPA + filtru cu carbon activ**) trebuie înlocuite, purificatorul de aer emite o lumină indicatoare intermitentă. Resetați temporizatorul pentru filtrul compozit apăsând și menținând apăsat butonul Viteză și Temporizator (timp de aproximativ 3 secunde). Dacă indicatorul luminos se stinge, temporizatorul a fost resetat cu succes.

**În funcție de utilizare, filtrele compozite (HEPA + filtru cu carbon activ) au o durată de viață de aprox. 6-8 luni.**

### Curățarea filtrului

Cel mai bun efect este obținut prin curățarea filtrelor o dată pe lună. Dacă aerul din interior este extrem de poluat, poate fi necesară o mai bună curățare.



Curățați **prefiltrul** și **filtrul HEPA** cu o perie sau cu aspiratorul. În acest fel, particule mai mari de praf, cum ar fi scamele, părul și mătreața animalelor de companie, pot fi îndepărtate din filtru.

**Avertisment!** Nu udați sau clătiți filtrele compozite (**HEPA + filtru cu carbon activ**) cu apă.

### Semne pentru filtrele uzate

Creșterea zgomotului, reducerea debitului de aer, filtre înfundate, creșterea prezenței mirosurilor. Filtrul trebuie înlocuit cu unul nou, când filtrul HEPA își schimbă culoarea de la alb la gri sau negru. Dacă filtrul HEPA rămâne alb, NU este necesar să înlocuiți filtrul.

### Cum să comandați filtre:

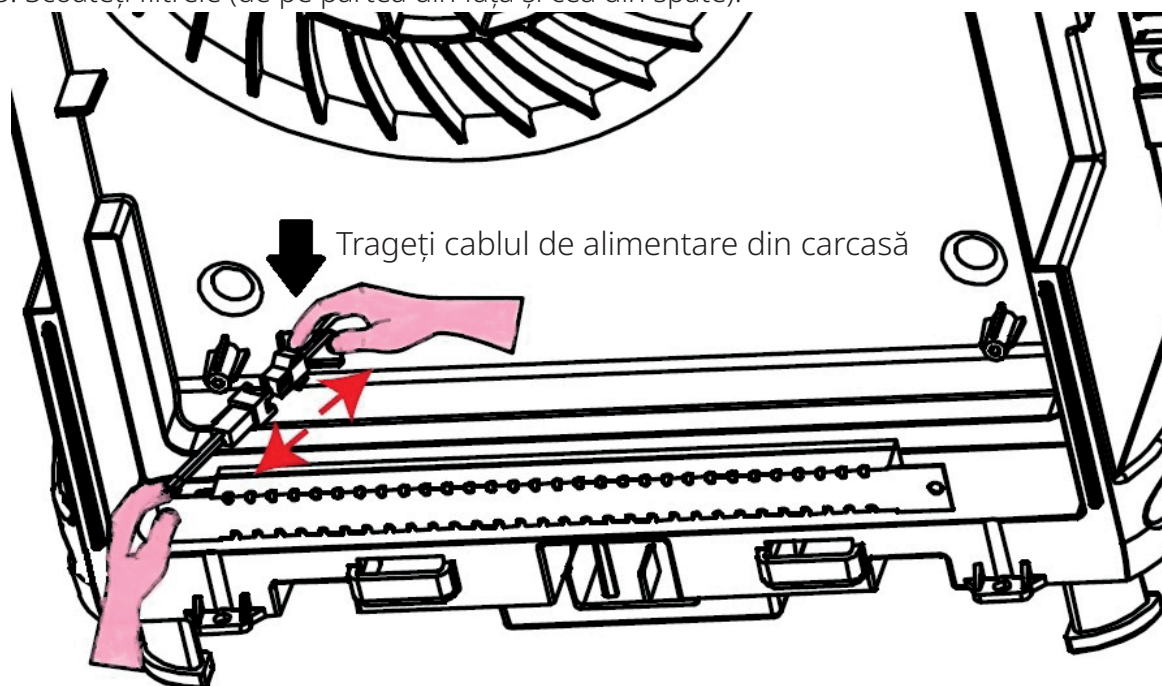
Contactați Serviciul de asistență pentru clienți Clean Air Optima, tel. + 31 (0) 742670145 sau vizitați magazinul nostru web: <https://www.cleanairoptima.com>

## Înlocuirea lămpilor LED-uri UV (de pe partea din față și din spate a unității)

Ambele lămpi LED-uri UV ale aparatului de curățare a aerului Clean Air Optima CA-509Pro Smart au o durată de viață de 8.000 de ore de funcționare = 1 an de funcționare 24/7. Lămpile LED-uri UV trebuie înlocuite după 8.000 de ore de funcționare sau dacă lumina indicatorului (UV) de pe afișaj se stinge.



1. Opriți dispozitivul și trageți ștecherul din priză.
2. Apăsați butoanele de eliberare cu ambele degete și scoateți capacele de pe partea din față și cea din spate.
3. Scoateți filtrele (de pe partea din față și cea din spate).



4. Utilizați o șurubelniță cu vârf în cruce și scoateți șuruburile din protecția metalică a ambelor lămpi LED-uri UV (de pe partea din față și cea din spate).
5. Trageți cablul de alimentare din carcasă spre dvs. până vedeți mufele cablului. Detașați mufele cablului, a se vedea figura.
6. Acum puteți monta lămpile LED-uri UV. După montarea lămpilor LED-uri UV, lumina indicatorului (UV) se va aprinde din nou.

### Comandarea lămpilor LED-uri UV:

Contactați serviciul clienți Clean Air Optima la + 31 (0) 742670145 sau vizitați magazinul nostru online: <https://www.cleanairoptima.com>

## Depanare

Urmează un ghid de depanare care vă poate ajuta să rezolvați problemele pe care le-ați putea avea atunci când utilizați **purificatorul inteligent de aer Clean Air Optima CA-509Pro Smart**.

Problemă	Cauză posibilă	Soluție
Dispozitivul nu pornește	Cablul de alimentare nu se conectează corect Cablul de alimentare este întrerupt Panoul frontal sau posterior nu este instalat corect	Conectați corect fișa de alimentare și priza de curent Înlocuiți cablul de alimentare Instalați corect panoul. Consultați capitolul: Mod de utilizare
Orificiul de evacuare a aerului miroase urât	Filtrul captează prea mult miros sau praf Durata de viață a filtrelor a expirat	Înlocuiți filtrele compozite Înlocuiți filtrele compozite
Efect de purificare slab	Verificați dacă umiditatea din încăpere este prea redusă Dispozitivul este plasat într-o încăpere neventilată sau înconjurată de obstacole	Creșteți umiditatea Îndepărtați obstacolele
Aparatul nu suflă aer	Orificiul de admisie sau de evacuare a aerului este blocat	Îndepărtați obstacolele
Telecomanda nu funcționează	Verificați dacă bateria este instalată Verificați dacă bateria este instalată corect Verificați capacitatea bateriei Verificați dacă distanța telecomenzii depășește aria de acoperire	Instalați bateria Instalați corect bateria Înlocuiți bateria Aria de acoperire se află la mai puțin de 5 metri de partea frontală a dispozitivului
Funcționarea cu aplicația Clean Air Optima® nu funcționează	Smartphone-ul sau tableta nu sunt conectate la rețeaua WiFi Dispozitivul nu are conexiune la rețea	Resetați dispozitivul apăsând și ținând apăsată împreună butoanele STAND (Așteptare) și TIMER (Temporizator) timp de trei secunde. Indicatorul WiFi va lumina intermitent. Apoi urmați pașii 4 până la 8 din capitolul „Funcționare cu aplicația Clean Air Optima®”.

## AVERTISMENT!

Dacă soluțiile recomandate mai sus nu funcționează, contactați asistența tehnică Clean Air Optima la numărul de telefon corespunzător regiunii dvs. Nu încercați să dezamblați, să reamblați sau să reparați dispozitivul, deoarece acest lucru poate anula garanția.

## Specificații

Model	CA-509Pro Smart
Pentru încăperi de până la	90 m <sup>2</sup> /225 m <sup>3</sup> /970 ft <sup>2</sup>
Tensiune nominală	220 V-240 V, 50 Hz/60 Hz
Putere nominală	Max. 53 W
Capacitatea ventilatorului (CADR)	400 m <sup>3</sup> /h (particule solide) - 100 m <sup>3</sup> /h (formaldehidă)
Performanța filtrului	99,97 %
Rata de sterilizare	99,9 %
Ion negativ	2.000.000 ioni/cm <sup>2</sup>
Nivelul sonor	Ventilator silențios < 20 dB (A) Scăzut 1/35 dB (A) Mediu 2/55 dB (A) Turbo 3
Dimensiuni	560 x 320 x 210 mm
Greutate	7,5 kg
Culoare	Alb viu
Respectă reglementările UE	CE/WEEE/RoHS

**Adresați-vă comercianților cu amănuntul sau municipalității dvs. pentru informații actualizate privind eliminarea ambalajului și a dispozitivului.**



## Service

### Certificat de garanție pentru purificatorul inteligent de aer Clean Air Optima CA-509Pro Smart.

Data achiziției: .....  
Nume client: .....  
Adresă: .....  
Telefon: .....  
Email: .....  
Nume vânzător: .....  
Adresă: .....

1. Completați acest certificat de garanție. Trimiteți-l distribuitorului împreună cu factura și dispozitivul, cu taxe poștale pre-plătite și folosind ambalajul original. Asigurați-vă că includeți taxele poștale pentru retur.
2. Vă rugăm să anexați o scurtă descriere a daunelor sau defecțiunilor și circumstanțele în care au apărut aceste probleme.

Purificatorul inteligent **de aer Clean Air Optima CA-509Pro Smart** este supus unor proceduri stricte de testare înainte de a părăsi fabrica. Dacă în termen de doi ani de la data achiziționării, produsul nu funcționează în conformitate cu specificațiile din cauza defectelor din fabrică, cumpărătorul are dreptul la reparații gratuite sau la înlocuirea pieselor la prezentarea acestei garanții (cu condiția ca defecțiunea sau deteriorarea dispozitivului și/sau a unor piese să fi apărut în condiții normale de funcționare). Ce este acoperit de garanție: Toate piesele defecte ca material sau manoperă. Pentru cât timp: doi ani de la data cumpărării. Ce vom face: Reparăm sau înlocuim orice piesă defectă.

Excluderi: Filtre cu înlocuire regulată.

#### Alte condiții

Prevederile prezentei garanții înlocuiesc orice altă garanție scrisă, expresă sau implicită, scrisă sau orală, inclusiv orice garanție de vandabilitate sau adecvare pentru un anumit scop. Răspunderea maximă a producătorului nu trebuie să depășească prețul real de cumpărare plătit de dvs. pentru produs. În nici un caz producătorul nu va fi responsabil pentru daune speciale, întâmplătoare, de consecință sau indirecte. Această garanție nu acoperă un defect care a rezultat din utilizarea sau întreținerea necorespunzătoare sau nerezonabilă, asamblarea defectuoasă, accidente, catastrofe naturale, împachetare necorespunzătoare, manipulare, alterare sau modificare neautorizată determinată de noi în mod unic. Această garanție este nulă dacă eticheta care poartă numărul de serie a fost scoasă sau a devenit ilizibilă.

# Vă mulțumim că ați citit!



Trimiteți feedback-ul dvs. privind purificatorul inteligent de aer Clean Air Optima CA-509Pro Smart pe: [www.cleanairoptima.com](http://www.cleanairoptima.com)



Pentru întrebări frecvente despre CA-509Pro Smart mergeți la: [www.cleanairoptima.com](http://www.cleanairoptima.com) și căutați CA-509Pro Smart.



Descărcați manualul de instrucțiuni în format PDF de pe: [www.cleanairoptima.com/info/manuals](http://www.cleanairoptima.com/info/manuals)



Urmăriți toate clipurile video de animație Clean Air Optima de pe: [www.youtube.com](http://www.youtube.com)

**Clean Air Optima International B.V.** | Rientjesoven 26 | 7621 HG Borne  
Țările de Jos | Telefon: +31 (0) 74-2670145

**Clean Air Optima Germany GmbH** | Enschedestraße 14 | 48529 Nordhorn  
Germania | Telefon: +49 (0) 5921 879-121

**E-mail:** [info@cleanairoptima.com](mailto:info@cleanairoptima.com)

**Internet:** [www.cleanairoptima.com](http://www.cleanairoptima.com)

## Lietuvių kalba

**Dėkojame, kad įsigijote „Clean Air Optima“ išmanųjį oro valytuvą „CA-509Pro Smart“.** Linkime jums ne vienus metus mėgautis švariu patalpų oru, naudojant šį veiksmingą ir efektyvų gaminį.

Naudodami šį elektros prietaisą pasirūpinkite, kad būtų laikomasi visų saugos nurodymų ir kad prietaisas veiktų tinkamai. Šioje instrukcijoje aprašomi saugos nurodymai, kurių reikia laikytis naudojant prietaisą. Jie skirti apsaugoti nuo traumų ir išvengti prietaiso pažeidimo.

### **Prieš naudodami naująjį „Clean Air Optima Intelligent“ oro valytuvą „CA-509Pro Smart“**

Pirma nuimkite filtro sandarią pakuotę, žr. 5 psl. „Kaip naudoti“.

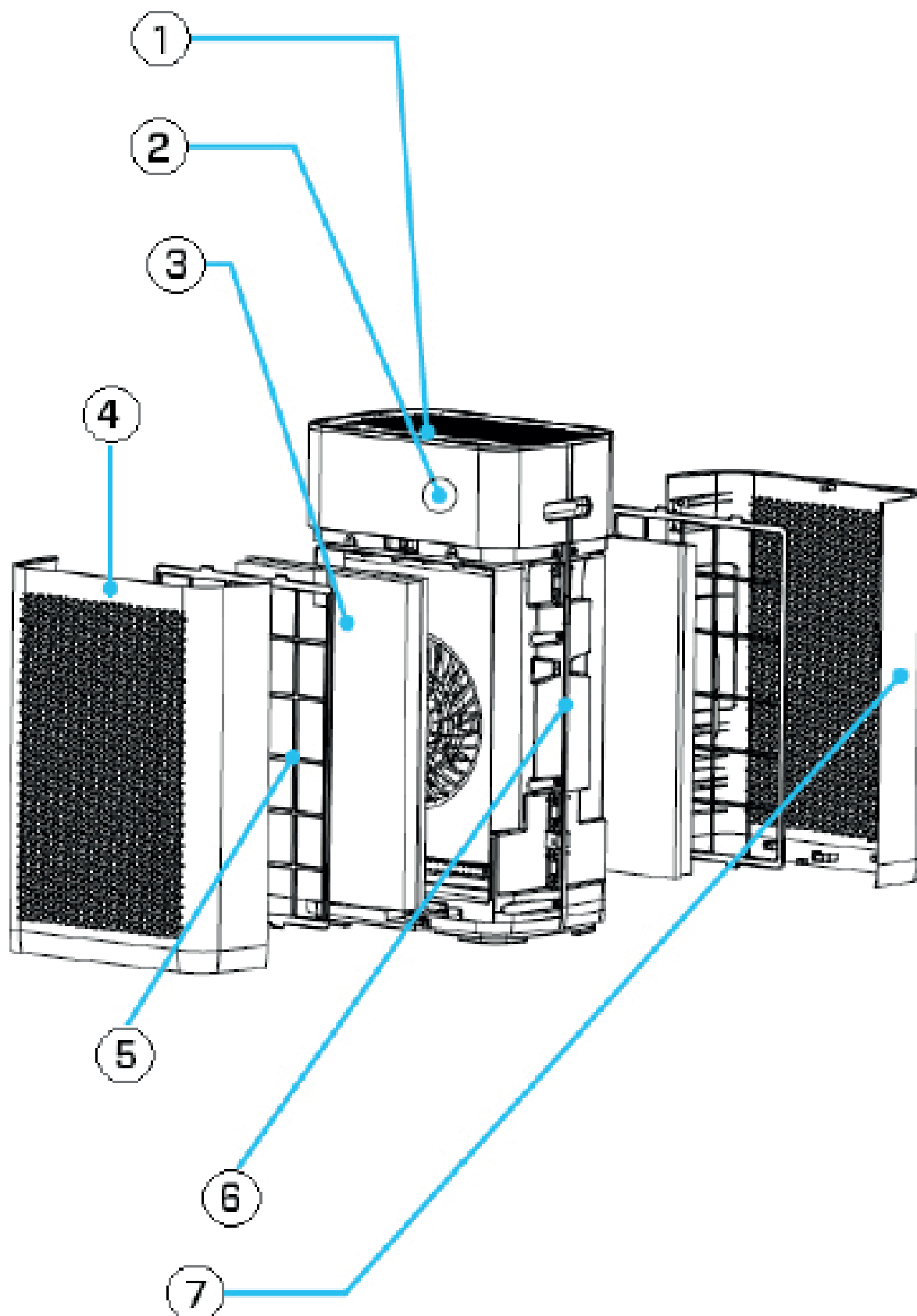


### **Prietaiso aprašymas**

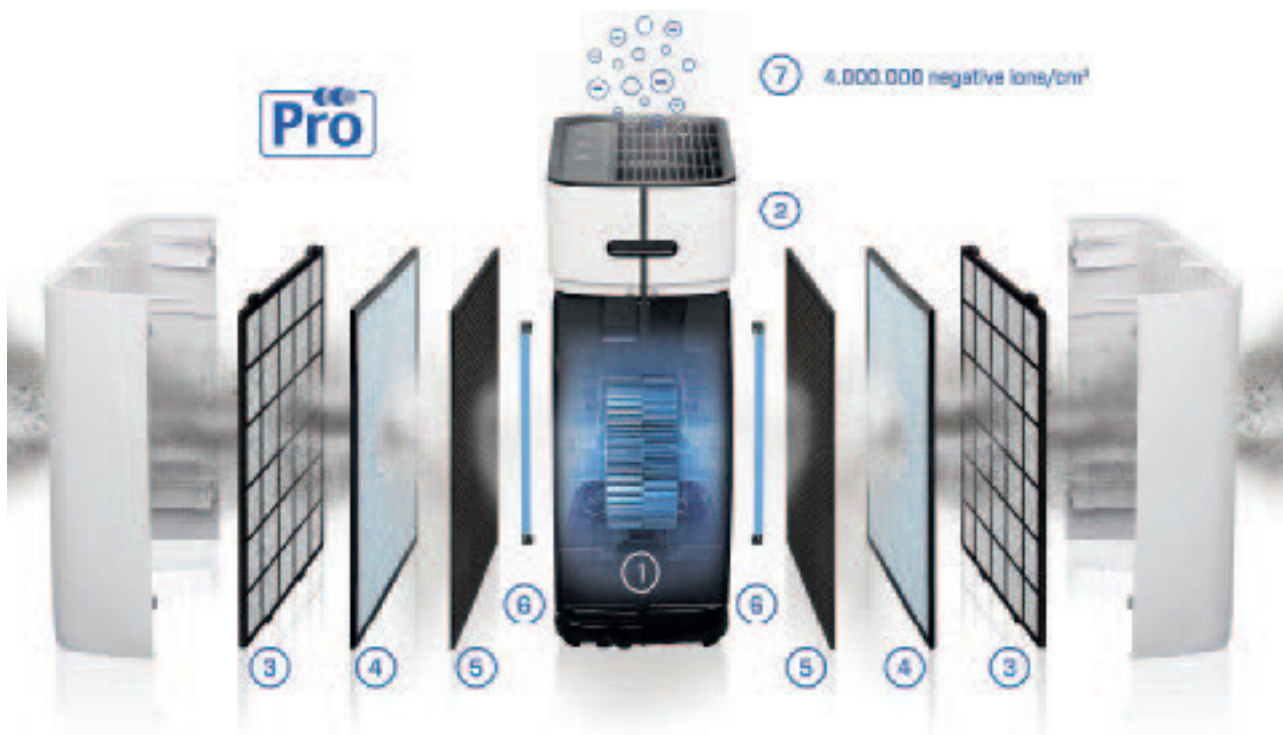
Prietaisą sudaro toliau nurodyti pagrindiniai komponentai.

1. Valdymo pultas.
2. Skaitmeninis patalpos oro kokybės stebėjimo įtaisas:
  - dalelių matuoklis PM2.5;
  - santykinės oro drėgmės matuoklis (%);
  - temperatūros matuoklis (°C);
3. Kompozitinis filtras: TRUE HEPA ir aktyvintosios anglies filtras.
4. Priekinis skydelis.
5. Pirminis filtras.
6. Pagrindinė oro valytuvo dalis.
7. Užpakalinis skydelis.

## CA-509Pro Smart/ pagrindinis įrenginys



Dviguba oro srauto sistema, dviguba filtravimo sistema ir dvigubas jonizatorius užtikrina dvigubą oro valymo efektą!



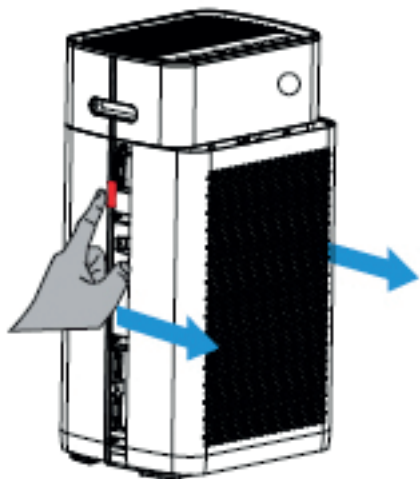
1. Dvigubas ventiliatorius
2. „Intelligent Particle Sensor™“
3. Pirminis filtras
4. „True HEPA“ filtras su sidabro nanodalelėmis
5. Aktyvintosios anglies filtras
6. UV LED lempa
7. Dvigubas jonizatorius

## Saugos įspėjimai

Šį prietaisą galima naudoti tik laikantis šių saugos instrukcijų. Imkitės toliau nurodytų priemonių, kad sumažintumėte traumų riziką, pavyzdžiui, dėl elektros smūgio ar gaisro.

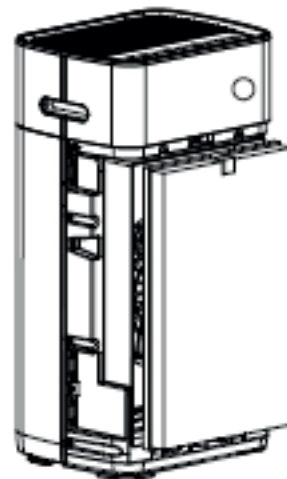
1. Naudokite prietaisą tik patalpose. Nenaudokite ir nelaikykite prietaiso lauke.
2. Prietaisas neskirtas vaikams ar asmenims, kurių fiziniai, jutiminiai ar protiniai gebėjimai yra riboti, nebent juos prižiūri už jų saugą atsakingas asmuo.
3. Nenaudokite prietaiso, jei elektros laidas arba pats prietaisas yra pastebimai apgadinti. Jei prietaisas sugadintas, netaisykite jo patys. Prietaiso netraukite už laido. Apgadintą maitinimo laidą turi pakeisti įgaliotas techninės priežiūros darbuotojas, kad būtų išvengta elektros smūgio ar gaisro.
4. Remontą gali atlikti tik įgaliotas techninės priežiūros darbuotojas. Siekdami išvengti elektros smūgio ar gaisro, nbandykite taisyti prietaiso patys.
5. Kai prietaisas nenaudojamas, kištukas visada turi būti atjungtas nuo laido.
6. Naudokite tik rinkinyje esančius maitinimo laidus.
7. Jei prietaiso nenaudosite arba valysite jo vidų ar išorę, ištraukite kištuką.
8. Siekdami užtikrinti saugą, prietaisą padėkite taip, kad jis stovėtų stabiliai ir horizontaliai. Nejudinkite naudojamo prietaiso.
9. Nenaudokite prietaiso patalpose, kur laikomi degūs skysčiai ar dujos, arti šilumos šaltinių arba itin drėgnose patalpose, pavyzdžiui, vonioje.
10. Kad prietaisas nesugestų, niekada nekiškite jokio objekto į korpusą.
11. Niekada neuždenkite oro įleidimo angos ir oro išleidimo angos grotelių.
12. Niekada neišmontuokite ir nekeiskite prietaiso vidinių dalių.
13. Kai prietaisas veikia, nelieskite oro įleidimo ir išleidimo angos grotelių, į oro išleidimo angą nekiškite rankenos ar kito daikto, kad išvengtumėte traumų ir nesugadintumėte oro valytuvo.
14. Neuždenkite oro įleidimo ir išleidimo angos grotelių – nedėkite daiktų ant oro valytuvo priekinio skydelio arba arti jo.
15. Ant prietaiso nedėkite sunkių daiktų.
16. Venkite prietaisą naudoti vietose, kur pasiekia tiesioginiai saulės spinduliai. Kyla rizika, kad prietaisas praras spalvas.
17. Niekada nenardinkite prietaiso į vandenį ar į kitus skysčius.
18. Nelieskite maitinimo laido šlapiomis rankomis.
19. Reguliariai išvalykite pirminį filtrą; jei pirminis filtras prisotintas dulkių, valymo efektas bus prastas. Padidės energijos sąnaudos, o tai gali sukelti gedimą.
20. Prietaiso įprasta darbinė aplinka nuo 0 °C iki 40 °C.
21. Prietaisą naudokite, prižiūrėkite ir valykite pagal šio vadovo nurodymus.

## Kaip naudoti (filtro priekinės ir užpakalinės dalies montavimas)



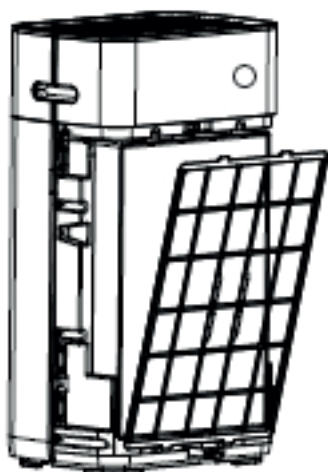
### 1. Skydelio išardymas

Dviem pirštais kairėje ir dešinėje oro valytuvo pusėje paspauskite raudonai pažymėtas piktogramas, žr. pav. Patraukite skydelį į save, kaip nurodyta mėlynomis rodyklėmis.



### 2. Kompozitinio filtro montavimas

Nuimkite filtrų sandarią pakuotę. Įdėkite filtrus į prietaisą. Iš priekio turi būti matomas čiaupas viršuje ir apačioje (matoma filtro HEPA pusė).



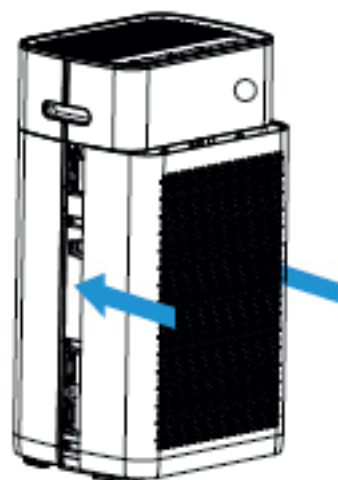
### 3. Pirminio filtro montavimas

Įdėkite pirminį filtrą juoda iškiša į išorę. Apatinę dalį įstatykite į apatinę angą ir švelniai įstumkite viršutinę dalį (su rodyklėmis) į viršutinę angą.



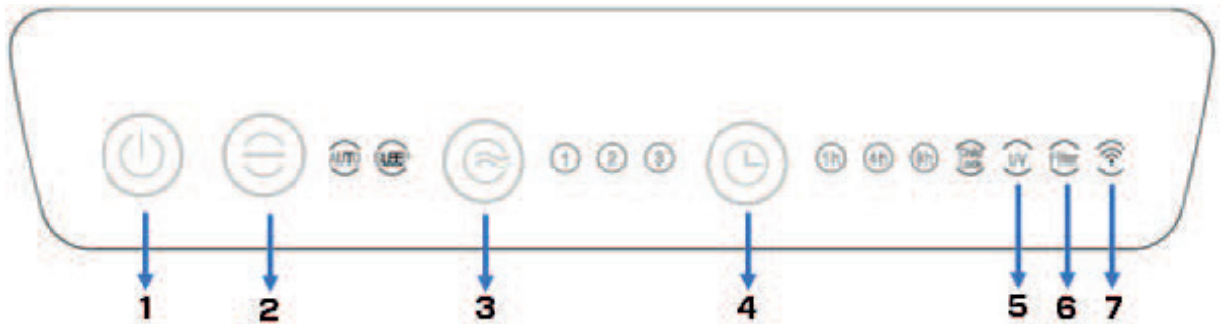
### 4. Skydelio montavimas

Tolygiai pastumkite viršutinę ir apatinę priekinio skydelio dalis mėlynų rodyklių kryptimi, žr. pav. Skydelis bus įtaisytas, kai išgirsite spragtelėjimą.



Prietaisą reikia statyti mažiausiai 30 cm atstumu nuo sienų ir baldų, kad oro srautas būtų geras. Įsitikinkite, kad oro įleidimo ir išleidimo angos neužblokuotos.

## Valdymo pultas / valdymo instrukcija



### 1. Įjungimo mygtukas

Paspaudę maitinimo mygtuką prietaisą įjungsite ir išjungsite. (Įjungus prietaisą numatytoji nuostata yra „Auto“ (automatinis) režimas.)

### 2. Režimas

Paspaudus režimo mygtuką įjungiamos „Auto“ (automatinė) ir „Sleep“ (miego) funkcijos. Pasirinkus nuostatą „Auto“, integruotas išmanusis jutiklis („Intelligent Particle Sensor™“) automatiškai matuoja ir reguliuoja oro kokybę. Jutiklio valdomas ventiliatorius automatiškai nustato, kiek užterštas patalpos oras pagal dalelių dydį PM2.5, ir atitinkamai pritaiko tris skirtingus greičius.

Pasirinkus nuostatą „Sleep“ signalinė lemputė šviečia ryškiai. Signalinė lemputė ir skaitmeninis ekranas užgessta po 5 sekundžių. Paspaudus bet kurį mygtuką, signalinė lemputė ir skaitmeninis ekranas vėl įjungiamas. Signalinė lemputė ir skaitmeninis ekranas po 5 sekundžių vėl užgessta. (Ventiliatorius veikia mažiausiu greičio lygiu.)

### 3. Greitis

Paspaudus greičio mygtuką, galima keisti greičio lygį. Pasirinkus iš trijų ventiliatoriaus greičių galima nustatyti skirtingą oro srautą. (1, 2, 3 rodo, kad vėjo greitis didėja.)

### 4. Laikmatis

Paspauskite laikmačio mygtuką, kad nustatytumėte prietaiso automatinį išjungimą po 1, 4 ar 8 valandų. Pasirinktas valandų skaičius rodomas laikmačio ekranėlyje.

### 5. UV LED lempa

UV LED lempas reikia keisti po 8000 veikimo valandų arba kai ekrane užgessta indikatoriaus lemputė (UV).

### 6. Filtras

Jei mirksi signalinė lemputė, reikia pakeisti kompozitinį filtrą (HEPA ir aktyvintosios anglies filtrą). Kompozitinio filtro eksploatacijos laikotarpis 2000 valandų.

### 7. „WiFi“

„WiFi“ indikatorius.

### 2-3. Užraktas nuo vaikų

Užraktas nuo vaikų apsaugo prietaisą nuo neleistino naudojimo.

Užraktas nuo vaikų įjungiamas / išjungiamas vienu metu spaudžiant režimo ir greičio mygtukus. Užrakto nuo vaikų signalinė lemputė švies ryškiai.

### 3-4. Filto nustatymas iš naujo

Iš naujo nustatykite kompozitinio filtro laikmatį paspausdami ir laikydami greičio ir laikmačio mygtukus (maždaug 3 sekundes). Signalinei lemputei užgesus, laikmatis yra sėkmingai nustatytas iš naujo.

## Skaitmeninis stebėjimo įtaisas

Skaitmeninis stebėjimo įtaisas, esantis priekinėje oro valytuvo „CA-509Pro Smart“ pusėje, automatiškai ir tiksliai rodo esamą oro kokybę, matuodamas dalelių PM2.5 kiekį, patalpos drėgmę ir temperatūrą.



**Žalia** – gerai:  
0–80  $\mu\text{g}/\text{m}^3$

**Mėlyna** – vidutiniškai:  
80–150  $\mu\text{g}/\text{m}^3$

**Raudona** – prastai:  
150  $\mu\text{g}/\text{m}^3$  ar daugiau

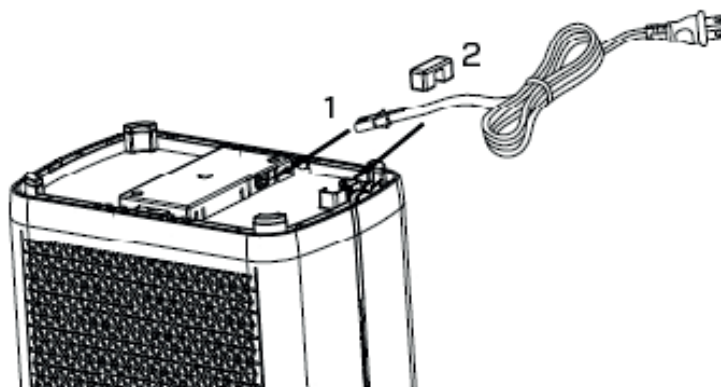
Kietųjų dalelių, kurių dydis 10  $\mu\text{m}$  (PM10) ir mažiau – 2,5  $\mu\text{m}$  (PM2.5), gali patekti į plaučius, o tai viena iš 10 didžiausių grėsmių žmogaus sveikatai. Šios mažos dalelės susidaro per įprastus patalpose vykstančius procesus, pavyzdžiui, verdant, kepant, gruzdinant, rūkant, kūrenant, arba dideli jų kiekiai į patalpų orą patenka iš transporto, pramonės ar statybų; taip pat tokiems teršalams priskiriama biologinė medžiaga (žiedadulkės, bakterijos, dulkių erkutės ir virusai) ir iš kitų šaltinių patekusios dalelės, pavyzdžiui, lėktuvų ir kt. išmetamosios dujos ir per ugnikalnių išsiveržimus pasklindančios dalelės.

Tokie alergenai kaip žiedadulkės ir dulkės kiekvieną pavasarį kelia didelę ilgalaikę grėsmę milijonų žmonių sveikatai, ir šis skaičius nuolat didėja.

Santykinės drėgmės ir temperatūros matavimas

Svarbūs efektyvaus oro valymo aspektai: santykinė drėgmė turi būti 45–60 %, o patalpos temperatūra apie 20–23 °C.

## Maitinimo laidas



1. Prietaiso apačioje nuimkite maitinimo laido lizdo plombą ir prietaiso apačioje į lizdą įkiškite maitinimo laido galą (kaip parodyta 1 pav.).
2. Maitinimo laidą įdėkite į tam skirtą angą ir pritvirtinkite laido spaustuką (kaip parodyta 2 pav.).

## Darbas su „Clean Air Optima<sup>®</sup>“ programėle

### Ryšys

**Suderinamumas su išmaniuoju telefonu ir planšetiniu kompiuteriu:**

„iPhone“, „iPad“ ir „Android“ prietaisai



**Prietaisų ryšys per „Wi-Fi“ su programėle:**

„CleanAirOptima“

**Dėmesio!** Maršrutizatorius turi būti nustatytas į 2,4 GHz plačiajuostį ryšį. Jei maršrutizatorius nustatytas į 5,0 GHz, neįmanoma užmegzti ryšio.



### „Wi-Fi“ ryšio nustatymas

1. Iš „App Store“ arba „Google Play“ parduotuvės atsisiųskite ir įdiekite „CleanAirOptima“ programėlę.
2. Susikurkite paskyrą ir prisijunkite.
3. Prijunkite prietaisą prie maitinimo lizdo ir jį prijunkite. Sumirksės „WiFi“ indikatorius.
4. Maršrutizatorius turi būti nustatytas į 2,4 GHz plačiajuostį ryšį. Jei maršrutizatorius nustatytas į 5,0 GHz, ryšio užmegzti negalima.
5. Įsitikinkite, kad išmaniajame telefone įjungta „Bluetooth“ funkcija.
6. Įsitikinkite, kad išmanusis telefonas arba planšetinis kompiuteris sėkmingai prijungtas prie „Wi-Fi“ tinklo.
7. Atidarykite „CleanAirOptima“ programėlę ir spustelėkite „Add device“ ( pridėti prietaisą) . Jūsų prietaisas yra sąraše, todėl galite jį pasirinkti. Jei taip nėra, pasirinkite „Auto Scan“ (automatinis nuskaitymas). Norėdami prijungti prietaisą prie tinklo, vykdykite ekrane pateikiamus nurodymus.
8. Programėlėje pasirinkite įtraukti „Clean Air Optima<sup>®</sup>“ prietaisą, vadovaudamiesi programėlės instrukcijomis.
9. Susiejus prietaisą, „Wi-Fi“ signalinė  lemputė nuolat šviečia.
10. Sėkmingai sukonfigūravę prietaisą, galite naudoti „Clean Air Optima<sup>®</sup>“ programėlę prietaisui valdyti.

### Pastaba:

- Jei numatytasis tinklas pasikeitė, iš naujo nustatykite „Wi-Fi“ ryšį atlikdami skyriaus „Wi-Fi ryšio nustatymas“ 3–8 veiksmus.
- Jei norite susieti kelis prietaisus su išmaniuoju telefonu ar planšetiniu kompiuteriu, turite tai padaryti vieną po kito.
- Įsitikinkite, kad atstumas tarp išmaniojo telefono ar planšetinio kompiuterio ir prietaiso yra mažesnis nei 5 metrai ir nėra jokių kliūčių. Taip pat įsitikinkite, kad esate toje pačioje patalpoje kaip ir prietaisas.

### Iš naujo nustatykite „Wi-Fi“ funkciją:

- Iš naujo nustatykite „Wi-Fi“ paspausdami mygtuką „Mode“ ir „Laikmatis“ palaikydami 3 sekundes, „Wi-Fi“ signalinė lemputė greitai mirksės.

## Prijunkite įrenginius prie kelių telefonų

Pastaba: Pirmiausia kitas asmuo turi įdiegti „Clean Air Optima<sup>®</sup>“ programėlę savo telefone ir susikurti naują paskyrą.

### **Bendrinkite įrenginį su ribota prieiga:**

Galite pasirinkti bendrinti 1 įrenginį su keliais asmenimis. Tada šis asmuo turės prieigą, bet negalės valdyti visų nustatymų.

Jei norite bendrinti įrenginį su keliais asmenimis, remkitės toliau pateiktomis instrukcijomis:

1. Pažymėkite atitinkamą įrenginį.
2. Paspauskite pieštuką arba tris taškus viršutiniame dešiniajame kampe.
3. Pasirinkite „Bendrinti įrenginį“.
4. Paspauskite „Pridėti bendrinimą“.
5. Pasirinkite bendrinimo būdą pvz. el.paštu, „whatsapp“, trumpoji žinutė ir pan., tada tęskite.
- 6 Įrenginys automatiškai bus rodomas „Clean Air Optima<sup>®</sup>“ programėlėje kartu su kita paskyra.

### **Bendrinkite įrenginį su visa prieiga:**

Galite įtraukti asmenį arba kelis asmenis į savo namų valdymą. Tada tas asmuo turės prieigą prie visų jūsų įrenginių, kurie jau yra susieti, ir turės visas teises bei leidimus. Jūs visada liksite pagrindiniu administratoriumi.

Remkitės toliau pateiktomis instrukcijomis, norėdami įtraukti ką nors į savo namų valdymą:

1. Atverkite „Clean Air Optima<sup>®</sup>“ programėlę ir paspauskite „Aš“.
2. Tada pasirinkite „Namų valdymas“.
3. Pasirinkite „Sukurti namus“.
4. Paspauskite reikiamą „Namai“ ir „Pridėti narį“.
5. Pasirinkite bendrinimo būdą pvz. el.paštu, „whatsapp“, trumpoji žinutė ir pan., tada tęskite.
- 6 Asmens su kuriu bendrinote savo „Namus“ „Clean Air Optima<sup>®</sup>“ programėlėje automatiškai atsiras atitinkami „Namai“.
5. Kitoje paskyroje:  
Atverkite pagrindinį „Clean Air Optima<sup>®</sup>“ programėlės ekraną. Viršutiniame kairiajame kampe paspauskite „Namai“.

## Nuotolinio valdymo pultas

### IJUNGIMAS / IŠJUNGIMAS

Paspaudę maitinimo mygtuką prietaisą įjungsite ir išjungsite. (Įjungus prietaisą numatytoji nuostata yra „Auto“ (automatinis) režimas.)

### Greitis

Paspaudus greičio mygtuką, galima keisti greičio lygį. Pasirinkus iš trijų ventiliatoriaus greičių galima nustatyti skirtingą oro srautą.

### Laikmatis

Paspauskite laikmačio mygtuką, kad nustatytumėte prietaiso automatinį išjungimą po 1, 4 ar 8 valandų.

### Užraktas nuo vaikų

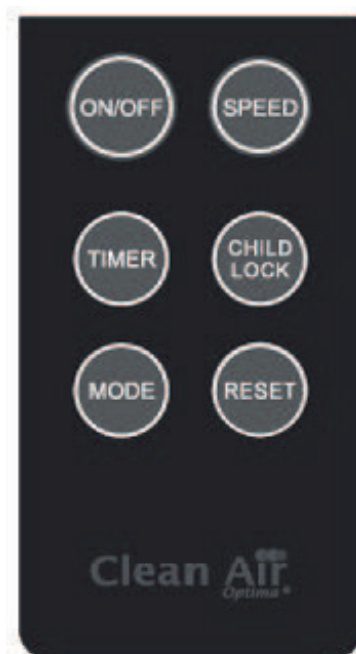
Užraktas nuo vaikų įjungiamas / išjungiamas paspaudus užrakto nuo vaikų mygtuką ir palaikius maždaug 3 sekundes.

### Režimas

Paspaudus režimo mygtuką įjungiama režimo arba miego funkcijos.

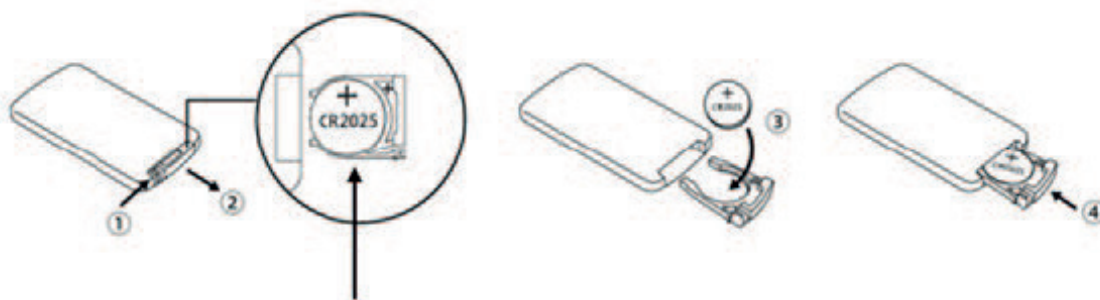
### Nustatymas iš naujo

Iš naujo nustatykite kompozitinio filtro laikmatį paspausdami ir palaikydami nustatymo iš naujo mygtuką maždaug 3 sekundes.



## Maitinimo elemento keitimas

1. Atidarykite maitinimo elemento laikiklį nuotolinio valdymo pulto gale nykščiu paspausdami fiksavimo ąselę (1 veiksmas) į dešinę, tada maitinimo elemento laikiklį ištraukite (2 veiksmas).
2. Ištraukite seną maitinimo elementą ir įdėkite naują (CR2025.3V tipo) atsižvelgdami į tinkamą poliškumą (3 veiksmas).
3. Įdėkite naują maitinimo elementą (CR2025.3V tipo).
4. Maitinimo elemento laikiklį įstumkite atgal į nuotolinio valdymo pultą (4 veiksmas).



Maitinimo elementą (CR2025 tipo)

## Atsargumo priemonės

1. Jei nuotolinio valdymo pulto ilgai nenaudosite, išimkite maitinimo elementą, kad nebūtų nuotėkio ir tai nesugadintų nuotolinio valdymo pulto.
2. Nuotolinio valdymo pultą naudokite oro valytuvui valdyti pagal numatytus parametrus.
3. Jei nuotolinio valdymo pultas neveikia tinkamai, išimkite maitinimo elementą ir po 30 sekundžių įdėkite. Jei jis vis tiek neveikia tinkamai, maitinimo elementą pakeiskite.

## Techninė priežiūra

### Oro valytuvo išorės valymas

1. Išjunkite prietaisą ir ištraukite kištuką.
2. Nuo prietaiso minkšta drėgna šluoste nuvalykite dulkes ir nešvarumus.
3. Saugokite, kad **į prietaisą** nepatektų vandens.

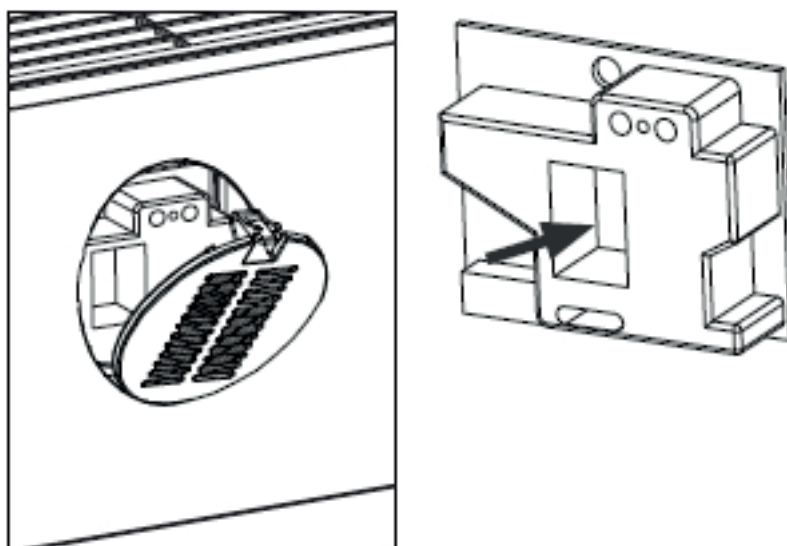
### „Intelligent Particle Sensor™“ valymas

#### Valykite oro kokybės jutiklį kas 6–8 savaites.

Kai PM 2.5 vertė rodoma neteisingai, galima medvilniniu tamponu nuvalyti jutiklio lęšį.

1. Nuimkite jutiklio dangtelį.
2. Jutiklio lęšį nuvalykite medvilniniu tamponu ir vandeniu, kaip nurodyta rodykle. Tada jutiklio lęšį nusausinkite švari medvilniniu tamponu.
3. Uždėkite jutiklio dangtelį.
4. Jutiklio lęšio nevalykite alkoholiu ar organiniu tirpikliu.

**Dėmesio!** Jei patalpa labai drėgna, ant oro kokybės jutiklio gali susidaryti kondensato. Todėl oro kokybės indikatorius (dalelių matavimo skaitmeninis ekranas) gali rodyti, kad oras nekokybiškas, nors taip nėra. Tokiu atveju rekomenduojame nuvalyti oro kokybės jutiklį arba nenaudoti oro valytuvo automatinio režimo.



## Filtrų keitimas

„Clean Air Optima“ išmanusis oro valytuvas „CA-509Pro Smart“ yra su filtrų eksploatacijos laikotarpio kontrolės mechanizmu, kuris duoda signalą, kai po 2000 naudojimo valandų filtrus reikia pakeisti. Mirksinti oro valytuvo signalinė lemputė rodo, kad kompozitinius filtrus (**HEPA ir aktyvintosios anglies filtrą**) reikia pakeisti. Iš naujo nustatykite kompozitinio filtro laikmatį paspausdami ir laikydami greičio ir laikmačio mygtukus (maždaug 3 sekundes). Signalinei lemputei užgesus, laikmatis yra sėkmingai nustatytas iš naujo.

**Priklausomai nuo naudojimo, kompozitinių filtrų (HEPA ir aktyvintosios anglies filtro) eksploatacijos laikotarpis maždaug 6–8 mėnesiai.**

### Filtrų valymas

Didžiausias efektas pasiekiamas filtrus valant kartą per mėnesį. Jei patalpos oras ypač užterštas, gali prireikti valyti dažniau.



Aktyvintosios anglies **pirminį filtrą** ir **HEPA filtrą** valykite šepetėliu ar nusiurbkite dulkių siurbliu. Taip iš filtro galima pašalinti stambesnes dulkių daleles, pavyzdžiui, pūkus, plaukus ir gyvūnų pleiskaną.

**Įspėjimas!** Niekada nešlapinkite ir neplaukite kompozitinių filtrų (**HEPA ir aktyvintosios anglies filtro**) vandeniu.

### Požymiai, kad filtrai nebetinkami naudoti

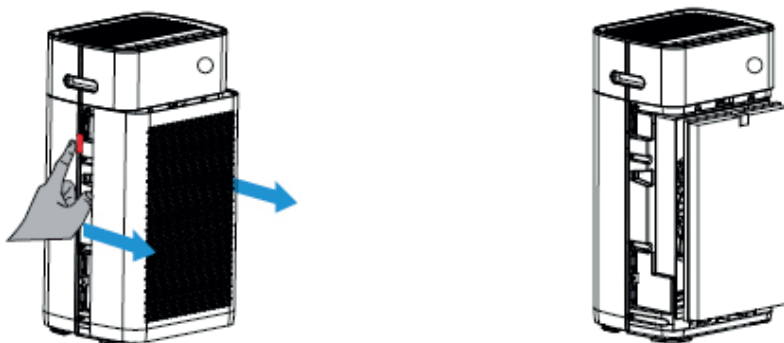
Padidėjęs garsas, sumažėjęs oro srautas, užkimšti filtrai, stipriau juntami kvapai. Filtrą reikia pakeisti nauju, kai HEPA filtro spalva pakinta iš baltos į pilką arba juodą. Jei HEPA filtras vis dar baltas, jo keisti NEREIKIA.

### Kaip užsisakyti filtrų

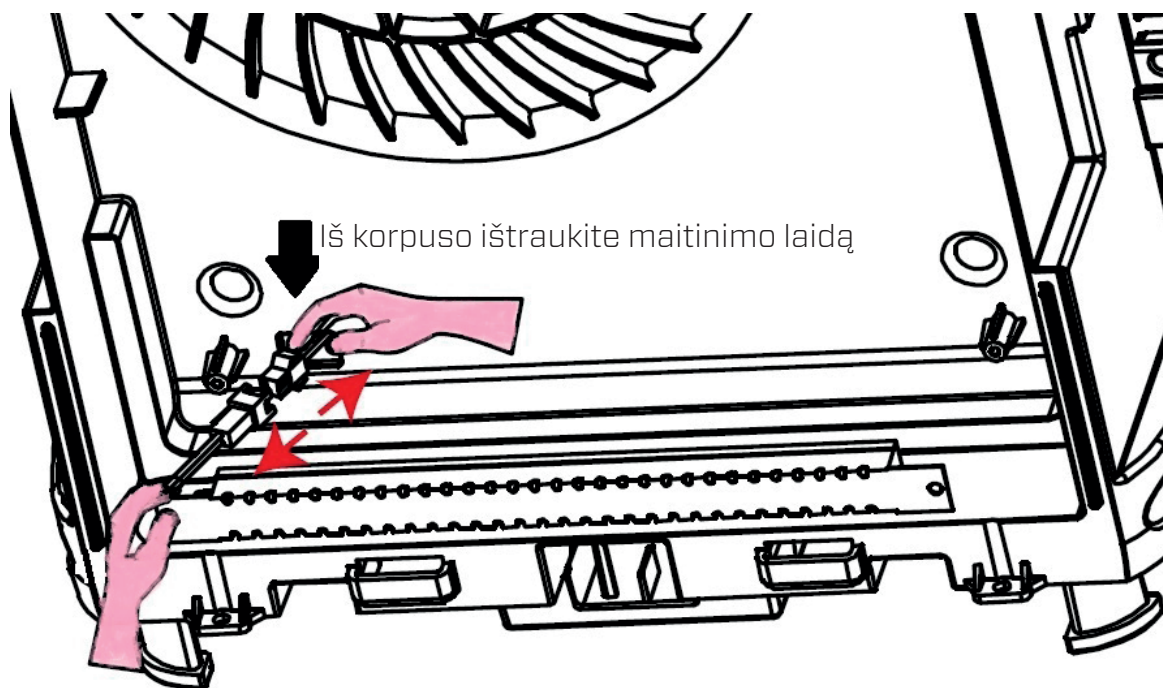
Paskambinkite į „Clean Air Optima“ klientų aptarnavimo skyrių tel. + 31 (0) 742670145 arba apsilankykite mūsų internetinėje parduotuvėje <https://www.cleanairoptima.com>

## Kaip pakeisti UV LED lempas (įrenginio priekyje ir gale)

Abiejų „Clean Air Optima CA-509Pro Smart“ oro valytuvo UV LED lempų eksploatacijos laikas yra 8000 veikimo valandų = 1 metai, veikiant 24/7. UV LED lempas reikia keisti po 8000 veikimo valandų arba kai ekrane užgesta indikatoriaus lemputė (UV).



1. Išjunkite prietaisą ir iš lizdo ištraukite kištuką.
2. Spauskite atlaisvinimo mygtukus abiem pirštais ir nuimkite priekinį ir galinį dangčius.
3. Nuimkite filtrus (priekinį ir galinį).



4. „Philips“ tipo atsuktuvu atsukite ir išimkite varžtus iš abiejų UV LED lempų (priekinės ir galinės) metalinių apsaugų.
5. Iš korpuso traukite maitinimo laidą kol pasimatys kištuko jungtys. Atlaisvinkite kištuko jungtis, žr. pav.
6. Dabar galima įstatyti naujas UV LED lempas. Įstačius UV LED lempas, vėl užsidegs indikatoriaus lemputė (UV).

### Kaip užsakyti UV LED lempas:

Kreipkitės į „Clean Air Optima“ klientų aptarnavimo centrą + 31 (0) 742670145 arba apsilankykite mūsų internetinėje parduotuvėje: <https://www.cleanairoptima.com>

## Trikčių šalinimas

Toliau pateikiamas trikčių šalinimo vadovas, kuris padės išspręsti bet kokias problemas, kurių gali kilti naudojant „Clean Air Optima“ išmanųjį oro valytuvą „CA-509Pro Smart“.

Problema	Galima priežastis	Sprendimas
Prietaisas neįsijungia.	Maitinimo laidas tinkamai neprijungtas. Maitinimo laidas pažeistas. Netinkamai sumontuotas priekinis ar užpakalinis skydelis.	Tinkamai įjunkite maitinimo laido kištuką į maitinimo lizdą. Pakeiskite maitinimo laidą. Tinkamai sumontuokite skydelį. Žr. skyrių „Kaip naudoti“.
Oro išleidimo anga skleidžia prastą kvapą.	Filtrai sulauko per daug aromato ar dulkių. Filtrų eksploatacijos trukmė pasibaigė.	Pakeiskite kompozitinius filtrus. Pakeiskite kompozitinius filtrus.
Prastas valymo efektas.	Patikrinkite, ar kambario drėgmė ne per maža. Prietaisas laikomas nevedinamoje patalpoje arba apsuptas kliūčių.	Padidinkite drėgmę. Pašalinkite kliūtis.
Iš prietaiso nepučiamas oras.	Oro išleidimo arba išleidimo anga užblokuota.	Pašalinkite kliūtis.
Neveikia nuotolinio valdymo pultas.	Patikrinkite, ar įdėtas maitinimo elementas. Patikrinkite, ar tinkamai įdėtas maitinimo elementas. Patikrinkite maitinimo elemento talpą. Patikrinkite, ar nuotolinio valdymo pulto atstumas neviršija nurodyto intervalo.	Įdėkite maitinimo elementą. Tinkamai įdėkite maitinimo elementą. Pakeiskite maitinimo elementą. Atstumo intervalas 5 metrai nuo prietaiso priekinės pusės.
<b>Nepavyksta dirbti naudojant „Clean Air Optima®“ programėlę</b>	Išmanusis telefonas arba planšetinis kompiuteris neprijungtas prie „Wi-Fi“ tinklo Prietaisas neturi ryšio su tinklu	Nustatykite prietaisą iš naujo vienu metu nuspausdami mygtukus STAND ir TIMER ir juos palaikydami nuspaustus tris sekundes. Sumirksės „WiFi“ indikatorius. Tada atlikite 4–8 veiksmus, nurodytus skyriuje „Darbas su „Clean Air Optima®“ programėle“.

## ĮSPĖJIMAS!

Jei pirmiau rekomenduojami sprendimai nepadedą, susisiekite su „Clean Air Optima“ techninės pagalbos skyriumi jūų regionui skirtu telefono numeriu. Nebandykite išmontuoti, iš naujo surinkti ar taisyti prietaiso, nes gali būti anuliuota garantija.

## Specifikacijos

Modelis	„CA-509Pro Smart“
Tinka patalpoms iki	90 m <sup>2</sup> / 225 m <sup>3</sup> / 970 ft <sup>2</sup>
Vardinė įtampa	220-240 V, 50 Hz / 60 Hz
Vardinė galia	Maks. 53 W
Ventiliatoriaus galia (CADR)	400 m <sup>3</sup> /h (kietosios dalelės)-100 m <sup>3</sup> /h (formaldehidas)
Filtro eksploatacinės savybės	99,97 %
Sterilizavimo vertė	99,9 %
Neigiami jonai	2 000 000 jonų/cm <sup>2</sup>
Garso lygis	Tylus ventiliatorius < 20 dB(A) Mažas greitis 1 / 35 dB(A) Vidutinis greitis 2 / 55 dB(A) Turborežimas 3
Matmenys	560 x 320 x 210 mm
Svoris	7,5 kg
Spalva	Balta
Atitinka ES reglamentus	CE, WEEE, RoHS

Naujausios informacijos apie pakuotės ir prietaiso šalinimą teiraukitės pardavėjo ar savivaldybės.



## Klientų aptarnavimas

### „Clean Air Optima“ išmaniojo oro valytuvo „CA-509Pro Smart“ garantinis pažymėjimas

Pirkimo data: .....

Kliento vardas, pavardė: .....

Adresas: .....

Telefonas: .....

El. paštas: .....

Pardavėjo pavadinimas: .....

Adresas: .....

1. Užpildykite visą šį garantinį pažymėjimą. Nusiųskite jį savo platintojui kartu su sąskaita faktūra ir prietaisu originalioje pakuotėje, iš anksto apmokėję siuntimo išlaidas. Nepamirškite prie siuntos pridėti grąžinimo pašto išlaidų kvito.

2. Glaustai aprašykite pažeidimą, triktį ar gedimą, taip pat aplinkybes, kaip šios problemos kilo.

Prieš išsiunčiant iš gamyklos „Clean Air Optima“ išmaniajam oro valytuvui „CA-509Pro Smart“ taikomos griežtos patikros procedūros. Jei per dvejus metus nuo pirkimo datos dėl gamybos defektų gaminio veikimas ima nebeatitikti specifikacijų, šį garantinį pažymėjimą pateikęs pirkėjas turi teisę į nemokamą remontą ar dalių keitimą (su sąlyga, kad veikimo triktis arba prietaiso ir (arba) jo dalių gedimas įvyko įprastomis naudojimo sąlygomis). Garantija taikoma: visoms dalims, kurioms nustatyti medžiagų ar gamybos defektai. Trukmė: dveji metai nuo pirkimo datos. Ką padarysime: sutaisysime arba pakeisime dalis su defektais. Išimty: reguliariai keičiami filtrai.

#### Kitos sąlygos

Ši garantija pakeičia bet kokias kitas pareikštas ar numanomas rašytines arba žodines garantijas, įskaitant garantiją dėl tinkamumo prekybai ar konkrečiam tikslui. Maksimalūs gamintojo įsipareigojimai neviršys faktinės gaminio kainos, kurią už jį sumokėjote. Gamintojas jokia atveju nebus atsakingas už specialiuosius, atsitiktinius, netiesioginius ar kaip pasekmė kilusius nuostolius. Ši garantija netaikoma defektams, atsiradusiems dėl netinkamo ar nepagrįsto naudojimo arba priežiūros, netinkamo surinkimo, nelaimingų atsitikimų, stichinių nelaimių, netinkamo pakavimo ar neleistino manipuliavimo prietaisu, taip pat dėl jo keitimo ar modifikavimo, kaip nustatome vien savo nuožiūra. Jei etiketė su serijos numeriu pašalinama ar sugadinama, ši garantija anuluojama.

# Dėkojame, kad perskaitėte!



Pateikite atsiliepimą apie „Clean Air Optima“ išmanųjį oro valytuvą „CA-509Pro Smart“ svetainėje [www.cleanairoptima.com](http://www.cleanairoptima.com)



Dažnai užduodamus klausimus apie „CA-509Pro Smart“ rasite svetainėje [www.cleanairoptima.com](http://www.cleanairoptima.com) ieškodami „CA-509Pro Smart“.



Atsisiųskite instrukcijas PDF formatu svetainėje [www.cleanairoptima.com/info/manuals](http://www.cleanairoptima.com/info/manuals)



Žiūrėkite „Clean Air Optima“ produktų animacinius vaizdo įrašus svetainėje [www.youtube.com](http://www.youtube.com)

**Clean Air Optima International B.V.** | Rientjesoven 26 | 7621 HG Borne  
Nyderlandai | Telefonas +31 (0) 74-2670145

**Clean Air Optima Germany GmbH** | Enschedestraße 14 | 48529 Nordhorn  
Vokietija | Telefonas +49 (0) 5921 879-121

El. paštas [info@cleanairoptima.com](mailto:info@cleanairoptima.com)

Interneto svetainė [www.cleanairoptima.com](http://www.cleanairoptima.com)

## Eesti keel

### **Täname teid õhupuhasti Clean Air Optima Intelligent Air Purifier CA-509Pro Smart ostmise eest.**

Loodame, et see tõhus ja energiasäästlik toode varustab teid palju aastaid tervisliku siseõhuga.

Tegu on elektriseadmega, mille kasutamisel tuleb järgida ohutusnõudeid. Kasutamisel kehtivad ohutusnõuded on kirjas käesolevas juhendis. Nende eesmärk on vältida kehavigastusi ja seadme kahjustamist.

### **Enne uue Clean Air Optima Intelligent Air Purifier CA-509Pro Smart kasutamist.**

Esmalt eemaldage filtrite tihend (vt lk 5). Kasutamine.

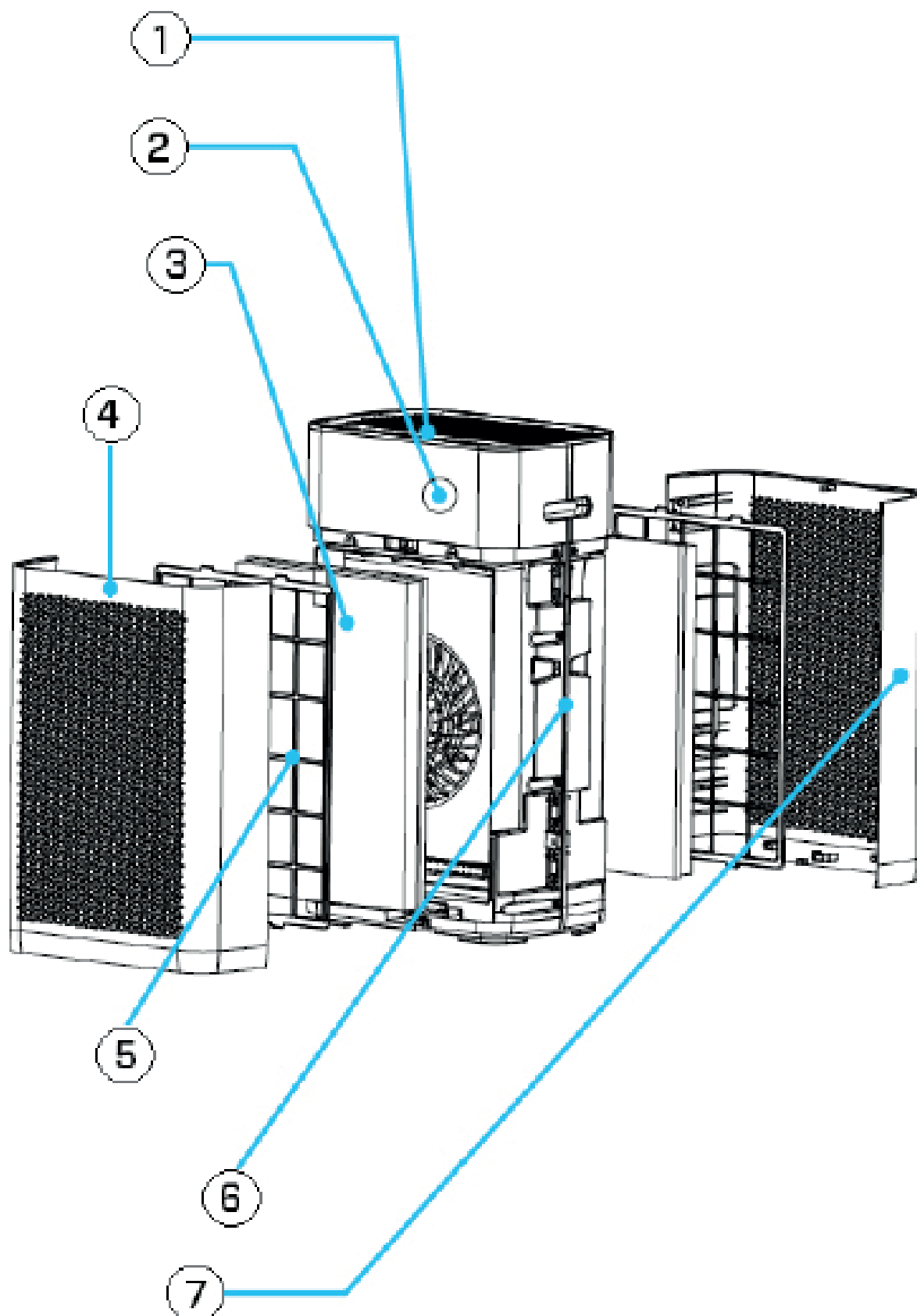


### **Seadme kirjeldus**

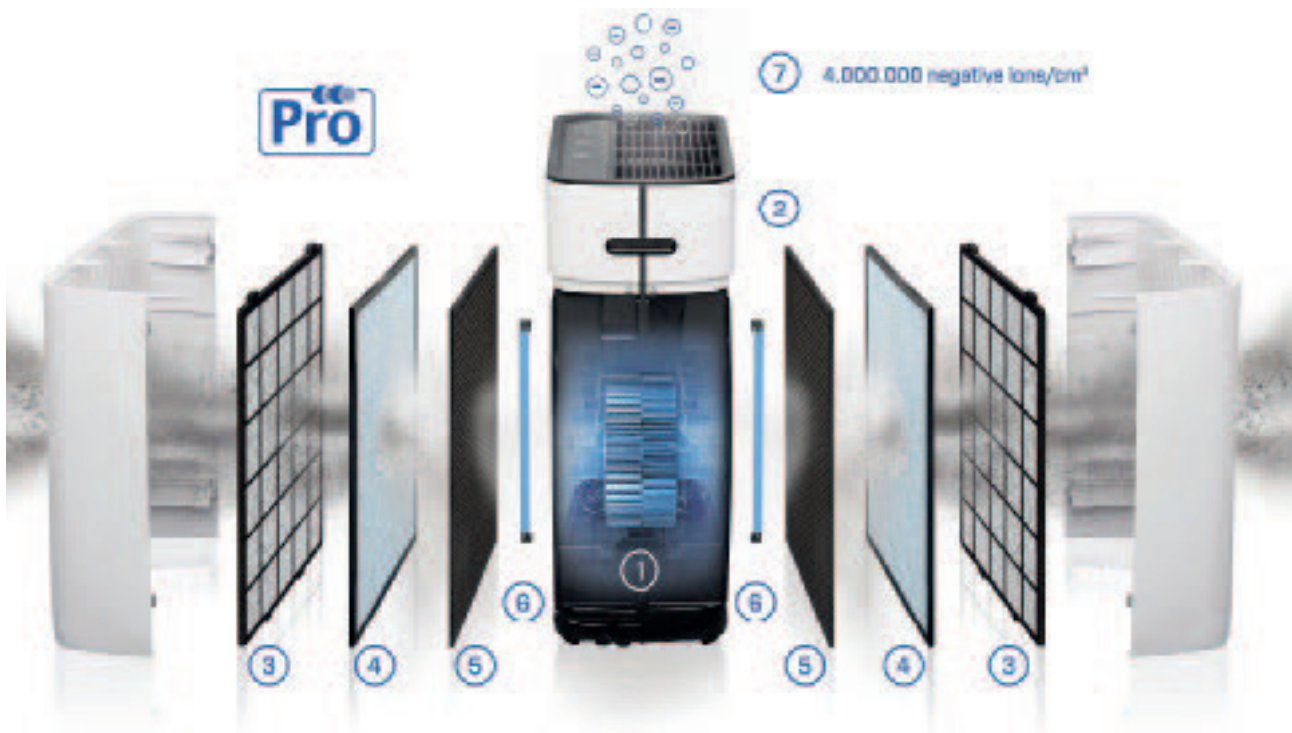
Seade koosneb järgmistest põhiosadest:

1. Juhtpaneel
2. Diginäidik siseõhu kvaliteedi jaoks
  - osakeste suurus (PM2,5)
  - suhteline õhuniiskus (%)
  - temperatuur (°C)
3. Liitfilter: TRUE HEPA ja aktiivsöega filter
4. Esipaneel
5. Eelfilter
6. Õhupuhasti põhiosa
7. Tagapaneel

## CA-509Pro Smart/ Smart põhiseade



## Kaks õhuvoolusüsteemi – kaks filtrisüsteemi – kaks ioniseerijat õhu kahekordseks puhastamiseks!



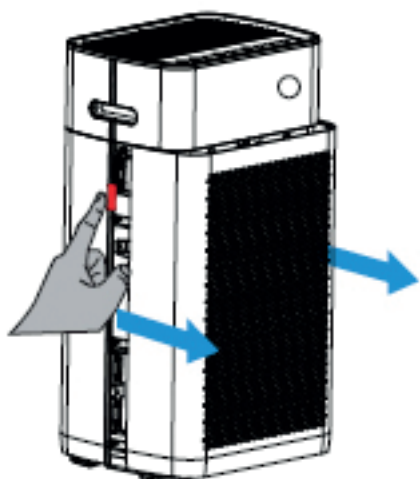
1. Kaks ventilaatorit
2. Intelligent Particle Sensor™
3. Eelfilter
4. Nano-Zilver True HEPA filter
5. Aktiivsõega filter
6. UV LED-pirni
7. DUO-ioniseerija

## Ohutushoiatused

Seadet tohib kasutada ainult koos nende ohutusjuhistega. Järgmiste ohutusnõuete järgimine on vajalik, et vältida kehavigastusi, näiteks elektrilöögi või põlengu tulemusel.

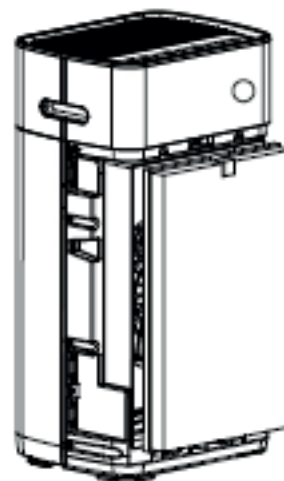
1. Kasutamiseks ainult siseruumis. Seadme kasutamine või hoiustamine välistingimustes on keelatud.
2. Seadet ei tohi kasutada lapsed, füüsilise, taju- või vaimupuudega inimesed, välja arvatud siis, kui nad teevad seda ohutuse eest vastutava isiku järelevalve all.
3. Ärge kasutage seadet, kui toitekaabel või seade ise on nähtavalt kahjustatud. Ärge üritage kahjustatud seadet ise remontida. Seadet ei tohi kunagi toitekaablist tõmmata. Kui toitekaabel on vigastatud, peab selle välja vahetama volitatud hooldustehnik, sest vastasel juhul võib tulemuseks olla elektrilöök või põleng.
4. Remonditöid tohivad teostada ainult volitatud hooldustöötajad. Elektrilöögi või põlengu ennetamiseks ärge üritage seadet ise remontida.
5. Kui seade pole kasutuses, ühendage toitekaabel alati lahti.
6. Kasutage ainult seadme komplekti kuuluvaid toitekaableid.
7. Kui seadet ei ole kavas mõnda aega kasutada või soovite selle sisemust või välispinda puhastada, tõmmake pistik pistikupesast välja.
8. Ohutuks kasutamiseks pange seade horisontaalasendisse. Ärge liigutage seadet kasutamise ajal.
9. Ärge kasutage seadet ruumis, kus hoitakse kergestisüttivaid vedelikke või gaase, soojusallikate läheduses ega niiskes ruumis, näiteks vannitoas.
10. Tõrgete ennetamiseks ärge kunagi pistike korpuse sisse ühtegi muud eset.
11. Ärge kunagi katke kinni õhusisendi ja -väljundi võret.
12. Ärge kunagi demonteerige või asendage seadme siseosaid.
13. Kehavigastuste või õhupuhasti kahjustamise vältimiseks ärge puudutage seadme töötamise ajal õhu sisse- ja väljalaskeava võresid ega pange käepidet või mis tahes eset õhu väljalaskeavasse.
14. Õhupuhasti sisse- ja väljalaskeava võre hoidmiseks takistusteta ärge paigutage esemeid õhupuhasti esikatte kohale või lähedusse.
15. Ärge asetage seadmele raskeid esemeid.
16. Vältige otsese päikesevalgusega kohti. On oht, et seade muudab värvi.
17. Ärge kunagi kastke seadet vette või muudesse vedelikesse.
18. Ärge puudutage toitejuhet märgade kätega.
19. Puhastage eelfilter regulaarselt. Kui eelfilter on tolmu täis, puhastab seade õhku halvasti. Energiatarve suureneb ja võib põhjustada rikke.
20. Seadme normaalne töökeskkond on 0 °C kuni 40 °C.
21. Järgige seadme kasutamisel, hooldamisel ja puhastamisel käesoleva juhendi juhiseid.

## Kasutamine (eesmise ja tagumise filtri paigaldamine)



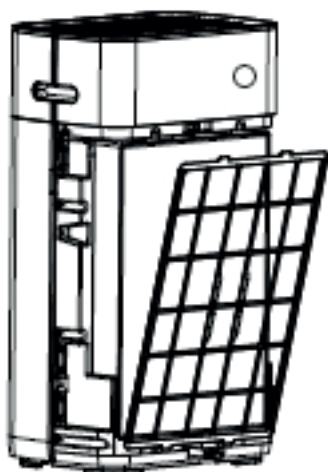
### 1. Paneeli koost lahtivõtt

Vajutage mõlema sõrmega õhupuhasti vasakul ja paremal küljel punast nuppu (vt joonis). Tõmmake paneel enda suunas siniste nooltega näidatud viisil.



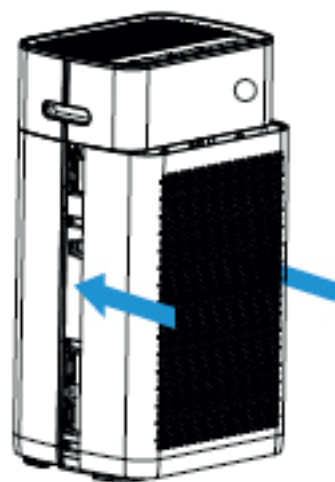
### 2. Liitfiltri paigaldus

Esmalt eemaldage filtrite tihend. Pange filtriid seadmesse tagasi. Põhjal ja peal asuv kraan peab olema eest nähtav (filtri HEPA küljel on nähtav).



### 3. Eelfiltri paigaldus

Paigaldage eelfilter nii, et must kühm on väljaspool. Pange selle alumine osa alumisse pessa ja lükake ülemine osa (nooltega) ettevaatlikult ülemisse pessa.

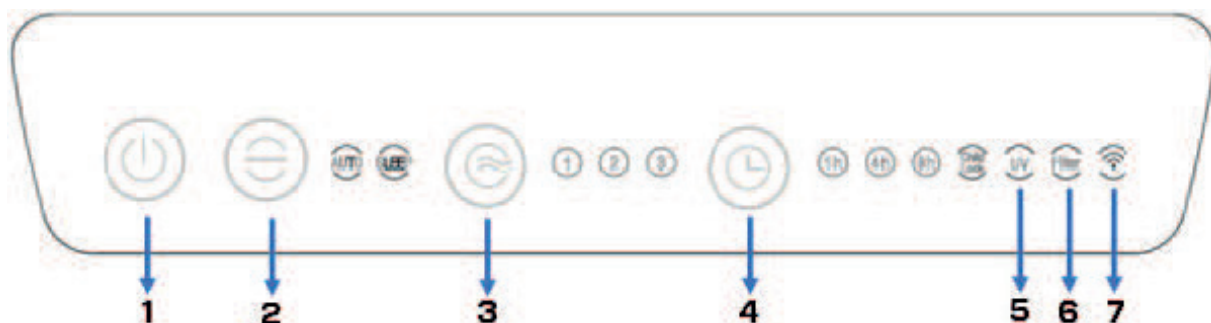


### 4. Paneeli paigaldus

Lükake esipaneeli (ülemine ja alumine serv paralleelselt) siniste nooltega näidatud suunas (vt joonist). Paneel on paigaldatud, kui kuulete klõpsatust.

Seade tuleb paigutada seintest ja mööblist vähemalt 30 cm kaugusele, et õhuvool oleks piisav. Vaadake, et kõik õhu sisse- ja väljalaskevavad oleksid vabad.

## Juhtpaneel / kasutusjuhend



### 1 Toitenupp

Toitenupu vajutamisel lülitub seade sisse ja välja.

(Pärast seadme sisselülitamist on see vaikimise režiimis Auto (Automaatne)).

### 2 Režiim

Režiiminupu vajutamisega saab valida režiimi Auto (Automaatne) ja Sleep (Uni).

Režiimis **Auto** (Automaatne) mõõdab sisseehitatud andur (Intelligent Particle Sensor™) õhukvaliteeti ja reguleerib puhastusvõimsust automaatselt. Andur tuvastab siseõhus peenosakesi suurusega PM2,5 ja valib automaatselt ühe kolmest ventilaatori kiirusest.

Režiimis **Sleep** (Uni) põleb märgutuli eredalt. Märgutuli ja diginäidik lülituvad 5 sekundi pärast välja. Vajutage mis tahes nuppu, et taaskäivitada märgutuli ja diginäidik. Märgutuli ja diginäidik lülituvad uuesti 5 sekundi pärast välja. (Ventilaator töötab madalaimal kiirusetasemel).

### 3 Kiirus

Kiirusenupu vajutamisega saate muuta kiirusetaset. 3 ventilaatori kiirust võimaldavad kohandada õhuvoolu. (1-2-3 tähendab tuule kiiruse suurenemist).

### 4 Taimer

Taimeri nupu korduva vajutamisega saate seadistada seadme automaatselt välja lülituma 1, 4 või 8 tunni möödumisel. Valitud tundide arv ilmub taimeri ekraanil.

### 5 UV-LED-lamp

UV-LED-pirnid tuleks välja vahetada 8000 töötundi möödumisel või kui näidikutuli (UV) ekraanil kustub.

### 6 Filter

Kui märgutuli vilgub, tuleb liitfilter (HEPA ja aktiivsöega filter) välja vahetada. Liitfiltri kasutusiga on 2000 töötundi.

### 7 WiFi

WiFi indikaator.

### 2 + 3 Lapselukk

Lapselukk takistab seadme soovimatut kasutamist.

Lapseluku sisse-/väljalülitamiseks tuleb korraka vajatada nuppe Režiim ja Kiirus.

Lapseluku märgutuli süttib eredalt põlema.

### 3 + 4 Filtri lähtestamine

Liitfiltri taimeri lähtestamiseks vajutage ja hoidke all nuppe Kiirus ja Taimer (umbes 3 sekundit). Taimer on edukalt lähtestatud, kui märgutuli kustub.

## Diginäidik

Õhupuhasti CA-509Pro Smart esiküljel oleval diginäidikul kuvatakse automaatselt ja täpselt õhukvaliteeti PM2,5 peenosakeste sisalduse, õhuniiskuse ja temperatuuri mõõtmisega.



**Roheline** - hea:  
0–80 µg/m<sup>3</sup>

**Sinine** - keskmine:  
80–150 µg/m<sup>3</sup>

**Punane** - halb:  
150 µg/m<sup>3</sup> või enam

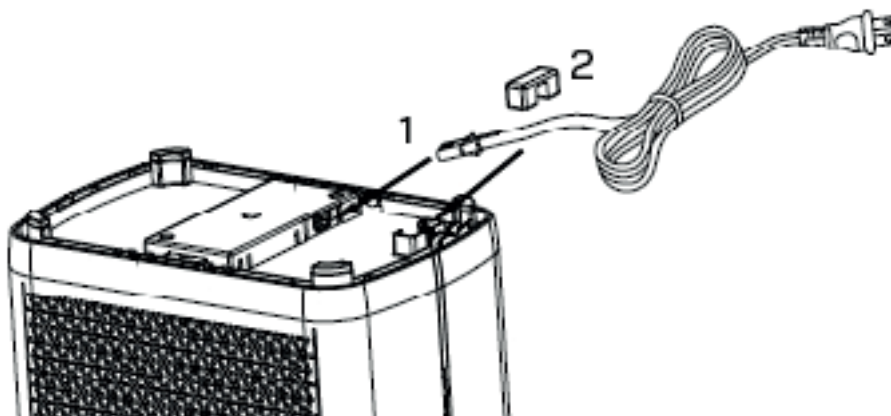
Osakesed läbimõõduga 10 µm (PM10) kuni 2,5 µm (PM2,5) kahjustavad kopsu ja on üks 10 suurimast inimtervise ohutegurist. Need peenosakesed tekivad mitmesugustes siseruumides toimuvates protsessides, näiteks küpsetamisel, praadimisel, suitsetamisel ja kütmisel, aga tungivad sisse ka välisõhust, kuhu neid lisandub sõidukite heitgaasidest, tööstusest, ehitustegevusest, bioloogilisest materjalist (õietolm, bakterid, tolmulestad ja viirused). Need võivad pärineda kõrgelt, näiteks lennukite heitgaasidest, ning kaugelt, näiteks vulkaanipursetest.

Õietolm, tolm ja muud allergeenid põhjustavad igal kevadel miljonitele inimestele raskeid terviseprobleeme; allergikute arv kasvab pidevalt.

Õhuniiskuse ja temperatuuri mõõtmine

Õhu efektiivseks puhastamiseks peaks suhteline õhuniiskus olema 45–60% ja temperatuur ligikaudu 20–23 °C.

## Toitejuhe



1. Eemaldage toitejuhtme liim seadme põhjast ja pange toitejuhtme ots seadme põhja asuvasse pesse (vt joonist 1).
2. Pange toitejuhe juhtmepeassa ja fikseerige juhtmeklambriga (vt joonist 2).

## Rakenduse Clean Air Optima® kasutamine

### Ühenduvus

**Ühilduvus nutitelefoniga ja tahvelarvutiga:**  
iPhone'i, iPadi ja Androidi seadmed

**Seade ühendub WiFi kaudu rakendusega:**  
CleanAirOptima

**Tähelepanu!** Ruuter peab olema seatud 2,4 GHz lairibale. Kui ruuter on seatud 5,0 GHz peale, ei ole võimalik ühendust luua.

### Seadistage WiFi-ühendus

1. Laadige alla ja installige rakendus „CleanAirOptima“ App Store'ist või Google Play Store'ist.
2. Looge konto ja logige sisse.
3. Ühendage seade pistikupessa ja lülitage see sisse. WiFi indikaator hakkab vilkuma.
4. Ruuter peab olema seatud 2,4 GHz lairibale. Kui ruuter on seatud 5,0 GHz peale, ei saa ühendust luua.
5. Veenduge, et Bluetooth oleks nutitelefoni lubatud.
6. Veenduge, et teie nutitelefoni või tahvelarvuti on edukalt WiFi-võrguga ühendatud.
7. Avage rakendus CleanAirOptima ja klõpsake suvandit Lisa seade +. Teie seade on loendis ja saate selle valida. Kui mitte, valige Auto Scan (Automaatne skannimine). Seadme võrguga ühendamiseks järgige ekraanil kuvatavaid juhiseid.
8. Valige rakenduse Clean Air Optima® seadme lisamine, järgige rakenduse juhiseid.
9. Kui seade on seotud, jääb WiFi märgutuli 📶 pidevalt põlema.
10. Kui konfigureerimine on edukas, saate seadme juhtimiseks kasutada rakendust Clean Air Optima®.

### Märkus.

- Kui teie vaikevõrk on muutunud, lähtestage WiFi-ühendus, järgides juhiseid 3-8 jaotises „WiFi-ühenduse seadistamine“.
- Kui soovite siduda nutitelefoni või tahvelarvuti mitu seadet, peate seda tegema üksteise järel.
- Veenduge, et nutitelefoni või tahvelarvuti ja seadme vaheline kaugus on alla 5 meetri ja takistus ei ole. Samuti veenduge, et olete seadmega samas ruumis.

### Lähtestage WiFi-funktsioon:

- lähtestage WiFi, vajutades 3 sekundit nuppu „Mode“ (Režiim) ja „Taimer“, WiFi märgutuli vilgub kiiresti.



## Seadmete ühendamine mitme telefoniga

Märkus. Esmalt peab teine inimene oma telefoni installima Clean Air Optima® rakenduse ja looma uue konto.

### Jagage seadet piiratud juurdepääsuga.

Saate valida 1 seadme jagamise mitme inimesega.

Sellel inimesel on seejärel juurdepääs, kuid ta ei saa kõiki seadeid hallata.

Seadme jagamiseks mitme inimesega järgige allolevaid juhiseid.

1. Minge vastava seadme juurde.
2. Minge paremas ülanurgas oleva pliiatsi või kolme punkti juurde.
3. Valige „Jaga seadet“.
4. Valige „Lisa jagamine“.
5. Valige jagamise viis nt e-posti, whatsappi, sms-i vms kaudu ja jätkake.
- 6 Seade ilmub Clean Air Optima® rakenduses automaatselt koos teise kontoga.

### Jagage seadet täieliku juurdepääsuga.

Saate oma kodujuhtimisse lisada ühe inimese või mitu inimest.

Sellel inimesel on seejärel juurdepääs kõigile teie seadmetele, mis on juba lingitud ning tal on kõik õigused ja load. Jäätte alati peadministraatoriks.

Järgige allolevaid juhiseid, et lisada keegi oma kodujuhtimisse.

1. Avage Clean Air Optima® rakendus ja minge jaotisesse „Mina“.
2. Seejärel valige „Kodujuhtimine“.
3. Valige „Loo kodu“.
4. Valige vastav „Kodu“ ja „Lisa liige“.
5. Valige jagamise viis nt e-posti, whatsappi, sms-i vms kaudu ja jätkake.
- 6 Vastav „Kodu“ kuvatakse automaatselt selle isiku Clean Air Optima® rakenduses, kellega te oma „Kodu“ jagasite.
5. Teisel kontol.

Minge Clean Air Optima® rakenduses avaekraanile. Minge üles vasakule ja valige „Kodu“.

## Kaugjuhtimispult

### ON/OFF (SEES/VÄLJAS)

Toitenupu vajutamisel lülitub seade sisse ja välja. (Pärast seadme sisselülitamist on see vaikimise režiimis Auto (Automaatne).

### Kiirus

Kiirusenupu vajutamisega saate muuta kiirusetaset. 3 ventilaatori kiirust võimaldavad kohandada õhuvoolu.

### Taimer

Taimer nupu korduva vajutamisega saate seadistada seadme automaatselt välja lülituma 1, 4 või 8 tunni möödumisel.

### Child Lock (Lapselukk)

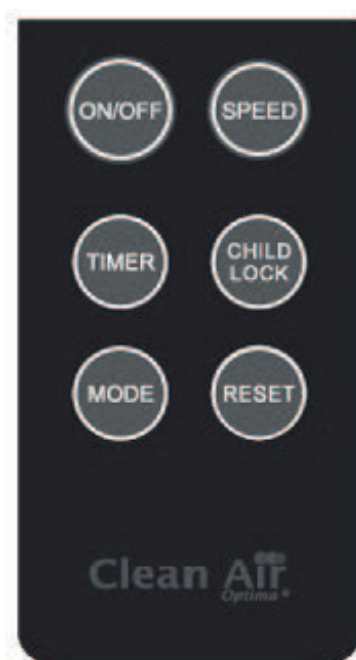
Lapseluku sisse-/väljalülitamiseks tuleb vajutada nuppu Child Lock (Lapselukk) umbes 3 sekundit.

### Režiim

Nupu Mode (Režiim) vajutamisega saab teha ümberlülituse režiimide Auto (Automaatne) ja Sleep (Uni) vahel.

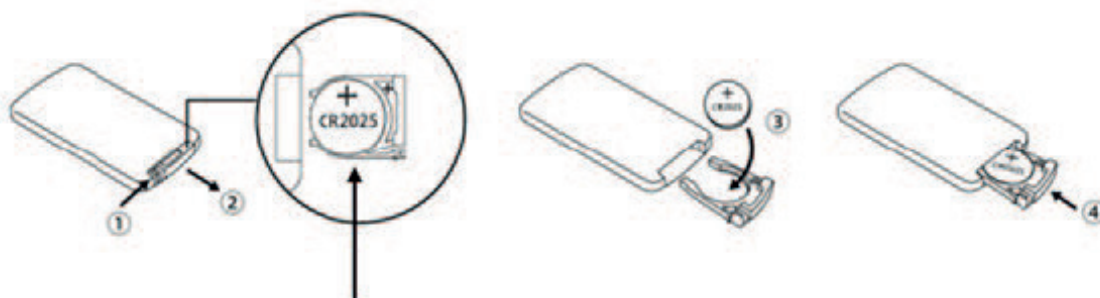
### Reset (Lähtesta)

Liitfiltri taimer lähtestamiseks vajutage ja hoidke all nuppu Reset (Lähtestamine) (umbes 3 sekundit).



## Patarei vahetamine

1. Avage kaugjuhtimispuldi tagaküljel olev patareihoidik, surudes lukustussakki pöidlaga paremale (1. samm), seejärel tõmmake patareihoidik välja (2. samm).
2. Eemaldage vana patareid ja sisestage uus patareid (tüüp CR2025.3V) õige polaarsusega (samm 3).
3. Sisestage uus patareid (tüüp CR2025.3V).
4. Vajutage patareihoidik tagasi kaugjuhtimispuldi sisse (4. samm).



Patareid (tüüp CR2025)

## Ettevaatusabinõud

1. Kui te kaugjuhtimispulti kaua aega ei kasuta, võtke patareid välja, et vältida selle lekkimist ja kaugjuhtimispuldi kahjustamist.
2. Kasutage kaugjuhtimispulti õhupuhasti juhtimisulatuses
3. Kui kaugjuhtimispult ei tööta õigesti, eemaldage patareid ja pange see 30 sekundi pärast tagasi. Kui see ikka ei toote õigesti, vahetage välja patareid.

## Hooldamine

### Õhupuhasti välispinna puhastamine

1. Lülitage seade välja ja tõmmake pistik pistikupesast.
2. Puhastage seade tolmust ja mustusest niiske pehme lapiga.
3. Vesi **ei tohi** sattuda seadme sisemusse.

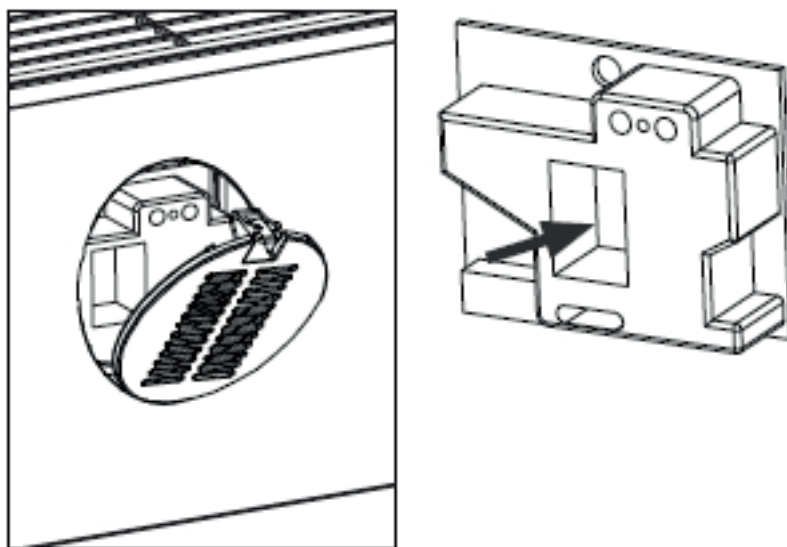
### Anduri Intelligent Particle Sensor™ puhastamine

#### Puhastage õhukvaliteedi andurit iga 6–8 nädala järel.

Kui PM 2,5 väärtus kuvatakse valesti, saab anduri läätse puhastada vatitüki abil.

1. Eemaldage anduri kate.
2. Puhastage anduri läätse vatitüki ja veega noolega näidatud viisil. Seejärel kuivatage läätse puhta vatitükiga.
3. Paigaldage anduri kate.
4. Ärge pühkige anduri läätse alkoholi ega muu orgaanilise lahustiga.

**Tähelepanu!** Kui ruumi õhuniiskus on väga kõrge, võib õhukvaliteedi anduril tekkida kondensvesi. Seetõttu võib õhukvaliteedi indikaator (diginäidikul kuvatav osakeste näit) näidata, et õhukvaliteet on halb, ehkki see ei ole nii. Sel juhul soovitame õhukvaliteedi andurit puhastada või mitte kasutada õhupuhastajat automaatrežiimis.



## Filtrite vahetamine

Õhupuhastil **Clean Air Optima Intelligent Air Purifier CA-509Pro Smart** on filtri kasutusea jälgimise süsteem, mis annab märku, kui filter tuleb 2000 töötunni järel välja vahetada. Liitfiltrite (**HEPA + aktiivsöega filter**) vahetamise vajadusest annab õhupuhasti märku märgutule vilkumisega. Liitfiltri taimeril lähtestamiseks vajutage ja hoidke all nuppe Kiirus ja Taimer (umbes 3 sekundit). Taimer on edukalt lähtestatud, kui märgutuli kustub.

**Liitfiltrite (HEPA + aktiivsöega filter) kasutusiga on olenevalt kasutamisest 6–8 kuud.**

### Filtrite puhastamine

Efektiveimaks õhupuhastamiseks on soovitatav puhastada filtreid kord kuus. Kui siseõhk on väga saastunud, võib olla vaja puhastada sagedamini.



Puhastage **eelfilter** ja **HEPA-filter** harja või tolmuimejaga. Eesmärk on eemaldada filtri välispinnalt suuremad mustuseosakesed, näiteks riidekiud ning loomade karvad ja nahatolm.

**Hoiatus!** Liitfiltreid (**HEPA + aktiivsöega filter**) ei tohi veega märjaks teha ega loputada.

### Filtrite vahetamise vajaduse tundemärgid

Suurenenud müratase, vähenenud õhuvool ja tugevnenud lõhn. HEPA-filter tuleb uuega asendada, kui selle värv muutub valgest halliks või mustaks. Valget HEPA-filtrit EI OLE vaja vahetada.

### Filtrite tellimine:

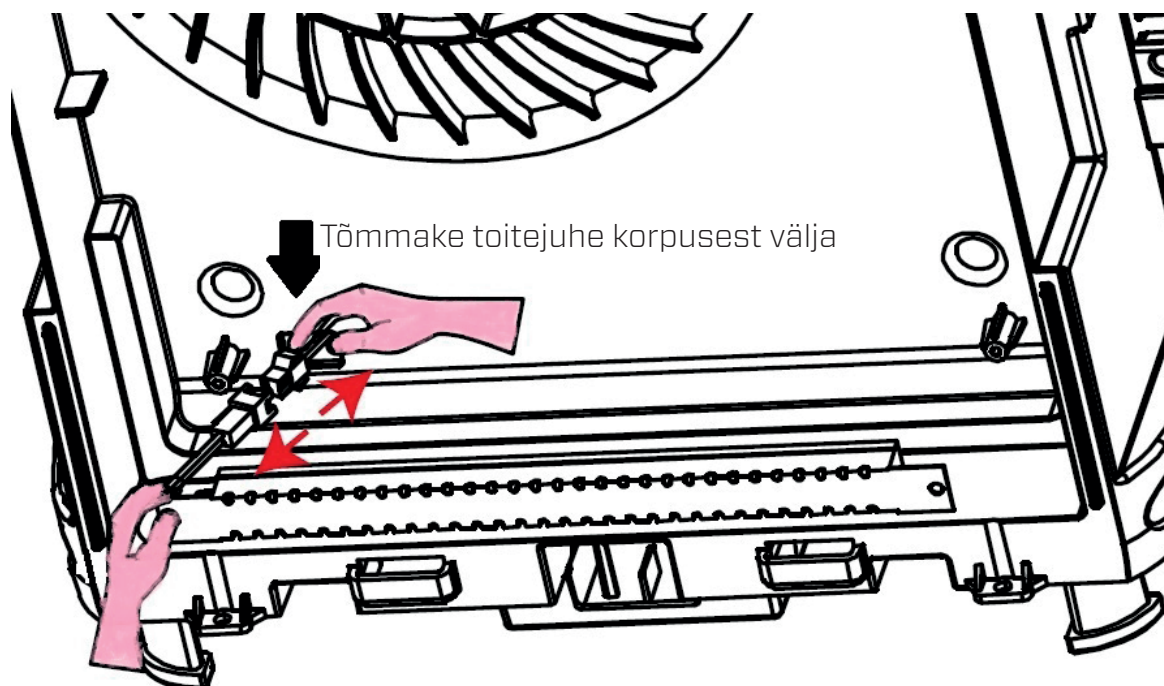
võtke ühendust Clean Air Optima klienditeenindusega telefonil + 31 (0) 742670145 või külastage meie e-poodi: <https://www.cleanairoptima.com>

## UV-LED-pirnide vahetamine (üksuse ees ja taga)

Õhupuhasti Clean Air Optima CA-509Pro Smart mõlema UV-LED-pirni tööiga on 8000 töötundi = 1 aasta ööpäev läbi töötamist. UV-LED-pirnid tuleks välja vahetada 8000 töötundi möödumisel või kui näidikutuli (UV) ekraanil kustub.



1. Lülitage seade välja ja tõmmake pistik pistikupesast välja.
2. Vajutage vabastusnuppe mõlema sõrmega ning eemaldage esi- ja tagakaas.
3. Eemaldage filtrid (eest ja tagant).



4. Kasutage Philips-peaga kruvikeerajat ning eemaldage mõlema UV-LED-pirni metallkaitsme kruvid (eest ja tagant).
5. Tõmmake toitejuhe korpusest välja enda poole, kuni näete pistikühendusi. Vabastage pistikühendused, vaadake joonist.
6. Nüüd saate paigaldada uued UV-LED-pirnid. Kui UV-LED-pirnid on paigaldatud, süttib näidikutuli (UV) uuesti.

### UV-LED-pirnide tellimine:

Võtke ühendus Clean Air Optima klienditeenindusega telefonil + 31 (0) 742670145 või külastage meie veebikauplust: <https://www.cleanairoptima.com>

## Veaotsing

Järgmine veaotsingujuhend aitab lahendada õhupuasti **Clean Air Optima Intelligent Air Purifier CA-509Pro Smart** kasutamise käigus tekkida võivaid probleeme.

Probleem	Võimalik põhjus	Lahendamine
Seade ei lülitu sisse	Toitekaabel pole õigesti ühendatud Toitepistik on purunenud Esi- või tagapaneel ei ole õigesti paigaldatud	Ühendage toitepistik ja pistikühendus õigesti Vahetage toitejuhe välja Paigaldage paneel õigesti. Vt ptk: Kasutamine
Õhu väljalase lõhnab halvasti	Filter püüab kinni liiga palju lõhna või tolmu Filtrite kasutusiga on lõppenud	Vahetage liitfiltrid välja Vahetage liitfiltrid välja
Halb puhastamistoime	Kontrollige, kas ruumi õhuniiskus on liiga madal Seade on paigutatud õhuvahetusega ruumi või seade on ümbritsetud takistustest	Suurendage õhuniiskust Eemaldage takistused
Seade ei puhu õhku välja	Õhu sisselase või väljalase on ummistunud	Eemaldage takistused
Kaugjuhtimispuult ei tööta	Kontrollige, kas patarei on paigaldatud Kontrollige, kas patarei on paigaldatud õigesti Kontrollige patarei mahtuvust Kontrollige, kas kaugjuhtimispuult on toimimisulatuses väljas	Paigaldage patarei Paigaldage patarei õigesti Vahetage patarei välja Toimimisulatus on 5 meetrit seadme esiküljest
<b>Rakendusega Clean Air Optima® kasutamine ei toimi</b>	Nutitelefon või tahvelarvuti pole WiFi-võrguga ühendatud Seadmepuudub võrguühendus	Lähtestage seade, vajutades ja hoides kolme sekundi jooksul koos all nuppe STAND ning TIMER. WiFi indikaator hakkab vilkuma. Seejärel järgige juhiseid 4–8 peatükis <b>Kasutamine rakendusega Clean Air Optima®</b> .

## HOIATUS!

Kui ülal soovitatud lahendused ei tööta, helistage oma piirkonna Clean Air Optima tehnilise toe telefoninumbrile. Ärge üritage seadet lahti võtta, uuesti kokku panna ega remontida, kuna sel juhul võib kaotada garantii kehtivuse.

## Tehnilised andmed

Mudel	CA-509Pro Smart
Sobiv ruumidele suurusega kuni	90 m <sup>2</sup> / 225 m <sup>3</sup> / 970 ft <sup>2</sup>
Nimipinge	220-240 V, 50/60 Hz
Nimivõimsus	kuni 53 W
Ventilaatori jõudlus (CADR)	400 m <sup>3</sup> /h (tahked osakesed) – 100 m <sup>3</sup> /h (formaldehüüd)
Filtrite jõudlus	99,97%
Steriliseerimismäär	99,9%
Negatiivsete ionide kontsentratsioon	2 000 000 iooni/cm <sup>2</sup>
Müratase	Vaikne ventilaator <20 dB(A) Madal 1 / 35 dB(A) Keskmise 2 / 55 dB(A) Turbo 3
Mõõtmed	560 x 320 x 210mm
Kaal	7,5kg
Värv	Valge
Vastab ELi määrustele	CE / WEEE / RoHS

**Pakendi ja seadme kõrvaldamise kohta küsige uusimat teavet seadme müüjalt või kohalikust omavalitsusest.**



## Remont

### Garantiitõend õhukuivatile Clean Air Optima Intelligent Air Purifier CA-509Pro Smart.

Ostmiskuupäev: .....

Kliendi nimi: .....

Aadress: .....

Telefon: .....

E-posti aadress: .....

Müüja nimi: .....

Aadress: .....

1. Täitke garantiitõendi kõik väljad. Saatke see koos ostukviitungi ja seadmega originaalpakendis jaemüüjale, kellelt seadme ostsite, makstes postitasu ise ette. Lisage kindlasti paki tagastamiseks vajalik summa.

2. Lisage lühike kirjeldus kahjustusest, rikkest või tõrkest ja probleemi tekkimise asjaoludest.

Õhupuhasti **Clean Air Optima Intelligent Air Purifier CA-509Pro Smart** läbib enne tehast väljumist range kvaliteedikontrolli. Kui tootel ilmneb 2 aasta jooksul pärast ostukuupäeva rike, mille põhjuseks on tootmisdefekt, siis on ostjal garantiitõendi esitamisel õigus toote tasuta parandamisele või selle osade asendamisele (tingimuse et seadme ja/või selle osade rike või kahjustus tekkis tavapärasel kasutamisel). Millele garantii kehtib: kõigi osade materjali- ja koostedefektid. Kui kaua: kaks aastat pärast ostmiskuupäeva. Mida me teeme: remondime või asendame defektsed osad.

Erandid: tavalised asendusfiltrid.

### Muud tingimused

Käesoleva garantii tingimused asendavad kõik muud kirjalikud ja suulised sõnaselged ja kaudsed garantiid, sh kaubastatavuse ja kindlaks otstarbeks sobivuse garantiid. Tootja vastutus ei ületa mingil juhul toote eest makstud ostuhinda. Erandlike, kaasnevate, ettenägematute ja kaudsete kahjude eest tootja ei vastuta. Garantii ei kehti defektidele, mille põhjuseks on vale või hooletu kasutamine või hooldamine, vale kokkupanemine, õnnetusjuhtum, looduskatastroof, vale pakendamine või loata lahtivõtmine, muutmise või modifitseerimine, kusjuures sellised asjaolud teeme kindlaks meie ainuisikuliselt. Kui seerianumbriga silt on eemaldatud või rikutud, siis garantii ei kehti.

# Täname teid lugemise eest.



Andke tagasisidet õhupuhasti Clean Air Optima Intelligent Air Purifier CA-509Pro Smart kohta veebisaidil [www.cleanairoptima.com](http://www.cleanairoptima.com)



Korduma kippuvaid küsimusi CA-509Pro Smart kohta otsige veebisaidilt [www.cleanairoptima.com](http://www.cleanairoptima.com) märgusõnaga „CA-509Pro Smart”.



PDF-vormingus kasutusjuhendi saab alla laadida veebilehelt [www.cleanairoptima.com/info/manuals](http://www.cleanairoptima.com/info/manuals)



Kõiki Clean Air Optima tooteanimatsioonide videoid saate vaadata veebisaidil [www.youtube.com](http://www.youtube.com)

**Clean Air Optima International B.V.** | Rientjesoven 26 | 7621 HG Borne  
The Netherlands | Telefon: +31 (0) 74 - 2670145

**Clean Air Optima Germany GmbH** | Enschedestraße 14 | 48529 Nordhorn  
Saksamaa | Telefon: +49 (0) 5921 879-121

**E-posti aadress:** [info@cleanairoptima.com](mailto:info@cleanairoptima.com)

**Internet:** [www.cleanairoptima.com](http://www.cleanairoptima.com)

## Latviešu valodā

### **Paldies, ka iegādājāties gaisa attīrītāju Clean Air Optima Intelligent Air Purifier CA-509Pro Smart!**

Ceram, ka varēsiet ilgstoši izbaudīt veselīgu iekštelpu gaisu, pateicoties šim efektīvajam un lietderīgajam izstrādājumam.

Pārliecinieties, vai tiek ievēroti visi drošības pasākumi, lai atbilstoši izmantotu šo elektroierīci. Šajā rokasgrāmatā ir sniegti drošības norādījumi, kas jāievēro darbības laikā. Tie ir paredzēti, lai novērstu traumas un izvairītos no ierīces bojājumiem.

### **Pirms jaunā gaisa attīrītāja Clean Air Optima Intelligent Air Purifier CA-509Pro Smart izmantošanas.**

Vispirms noņemiet blīvējumu no filtriem; skatiet 5. lpp. Lietošana

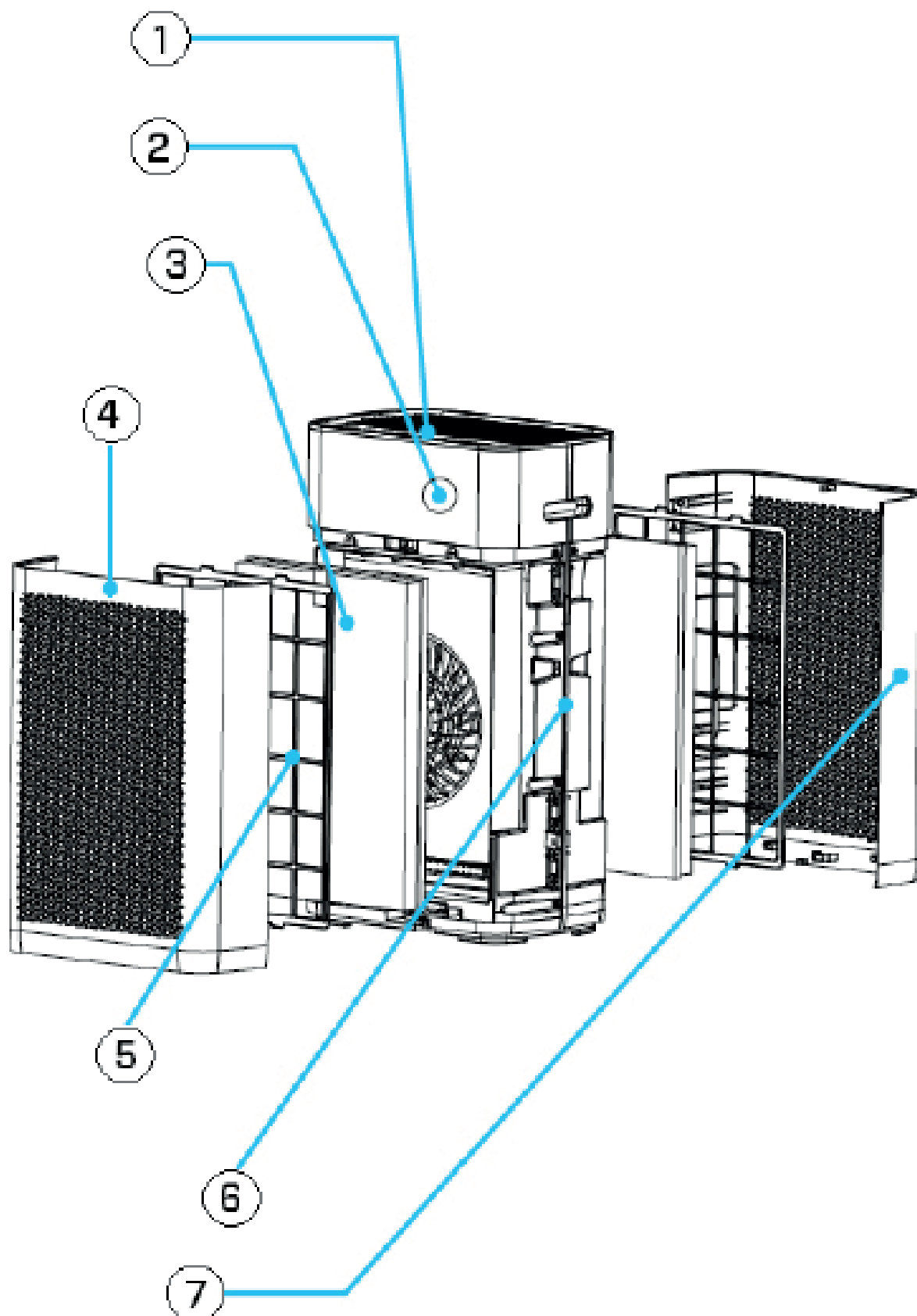


### **Ierīces apraksts**

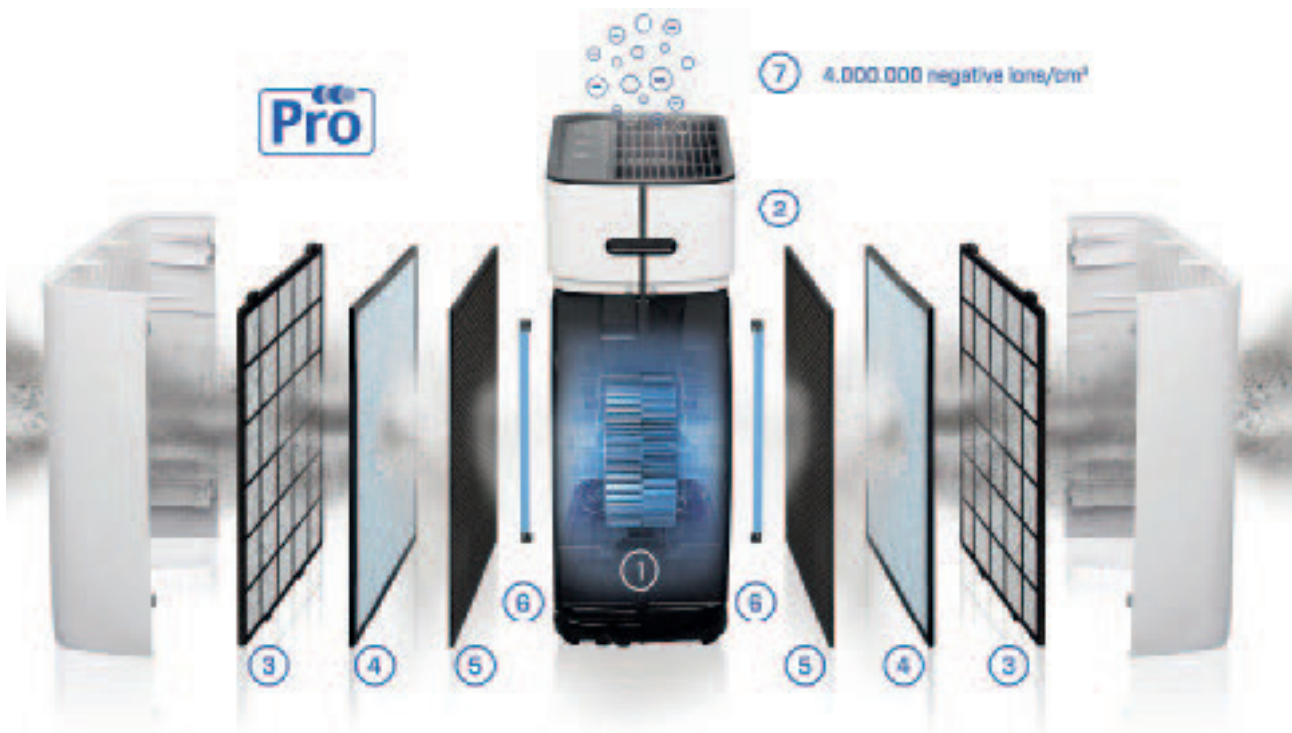
Ierīce sastāv no šādiem galvenajiem komponentiem:

1. Vadības panelis
2. Iekštelpu gaisa kvalitātes digitālā uzraudzība
  - Daļiņu mērījums, PM 2,5
  - Relatīvais gaisa mitruma līmenis, %
  - Temperatūra, °C
3. Kompozītmateriālu filtrs: TRUE HEPA un aktīvās ogleis filtrs
4. Priekšējais panelis
5. Priekšfiltrs
6. Gaisa attīrītāja galvenā daļa
7. Aizmugurējais panelis

## CA-509Pro Smart/ Main ierice



## Divu gaisa plūsmu sistēma — Divu filtru sistēma — Divi jonizētāji divkāršai gaisa attīrīšanai!



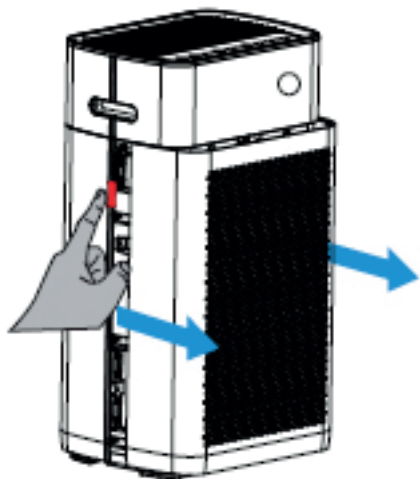
1. Divi ventilatori
2. Intelligent Particle Sensor™
3. Priekšfiltrs
4. Nano-Zilver True HEPA filtrs
5. Aktīvās ogles filtrs
6. UV LED lampa
7. Divi jonizētāji

## Drošības brīdinājumi

Šo ierīci drīkst lietot tikai saskaņā ar šiem drošības norādījumiem. Lai maksimāli samazinātu miesas bojājumu risku, ko varētu izraisīt, piemēram, elektriskās strāvas trieciens vai aizdegšanās, ievērojiet tālāk sniegtos norādījumus.

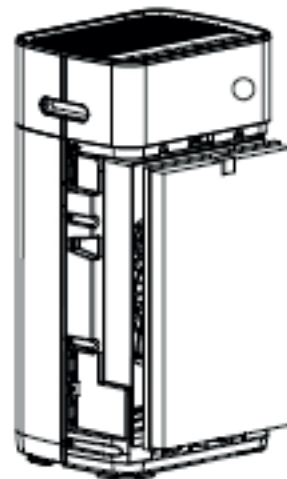
1. Tikai lietošanai telpās. Nelietojiet un neuzglabājiet ārā.
2. Šo ierīci nav paredzēts izmantot bērniem vai personām ar samazinātām fiziskajām, maņu vai garīgajām spējām, izņemot gadījumus, ja tās uzrauga par viņu drošību atbildīga persona.
3. Nelietojiet ierīci, ja konstatējat redzamus elektrības kabeļa vai pašas ierīces bojājumus. Ja radies bojājums, nelabojiet ierīci patstāvīgi. Nekad nevelciet ierīci aiz kabeļa. Ja elektrības kabelis ir bojāts, tā nomainīta ir jāveic autorizētam apkopes speciālistam, lai novērstu elektriskās strāvas triecienu vai aizdegšanos.
4. Remontdarbus var veikt tikai autorizēts apkopes speciālists. Lai izvairītos no elektriskās strāvas trieciena vai aizdegšanās, nemēģiniet pats veikt ierīces remontu.
5. Ja ierīce netiek izmantota, atvienojiet strāvas vadu no kontaktlīdzes.
6. Izmantojiet tikai komplektācijā iekļautos elektrības kabeļus.
7. Atvienojiet kontaktdakšu no kontaktlīdzes, kad nelietojat ierīci vai veicat tās iekšējo vai ārējo daļu tīrīšanu.
8. Drošības iemeslu dēļ novietojiet ierīci stabilā, horizontālā stāvoklī. Nepārvietojiet ierīci lietošanas laikā.
9. Nelietojiet ierīci telpās, kurās tiek glabāti uzliesmojoši šķidrumi vai gāzes, tuvu karstuma avotiem vai tādās sevišķi mitrās vietās kā vannasistaba.
10. Lai izvairītos no ierīces bojājumiem, neievietojiet tās korpusā svešķermeņus.
11. Neaizsedziet gaisa ieplūdes un izplūdes režģus.
12. Neizjauciet un nemainiet ierīces iekšējās detaļas.
13. Kad ierīce darbojas, nepieskarieties gaisa ieplūdes un izplūdes režģiem un neievietojiet gaisa izvadā rokturi vai citus priekšmetus, lai izvairītos no traumām un gaisa attīrītāja bojājumiem.
14. Lai nenosprostotu gaisa attīrītāja gaisa ieplūdes un izplūdes režģi, nenovietojiet priekšmetus uz gaisa attīrītāja priekšējā pārsega vai blakus tam.
15. Nenovietojiet uz ierīces smagus priekšmetus.
16. Nenovietojiet ierīci tiešā saules gaismā. Ierīces korpuss var mainīt krāsu.
17. Neiemērciet ierīci ūdenī vai citos šķidrumos.
18. Nepieskarieties elektrības kabelim ar mitrām rokām.
19. Regulāri iztīriet priekšfiltru; ja priekšfiltrs ir pilns ar putekļiem, netiks nodrošināta pienācīga gaisa attīrīšana. Palielināsies enerģijas patēriņš un var rasties kļūme.
20. Parastā ierīces darba vides temperatūra ir diapazonā no 0 °C līdz 40 °C.
21. Lietojiet, uzturiet un tīriet ierīci tā, kā aprakstīts šajā rokasgrāmatā.

## Lietošana (filtra uzstādīšana priekšā un aizmugurē)



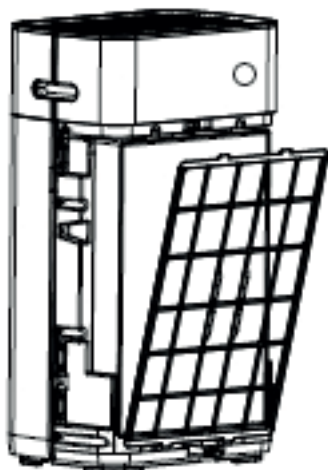
### 1. Paneļa noņemšana

Ar diviem pirkstiem nospiediet sarkano ikonu gaisa attīrītāja kreisajā un labajā pusē; skatiet attēlu. Velciet paneli pie sevis, kā to norāda zilās bultiņas.



### 2. Kompozītmateriālu filtra uzstādīšana

Noņemiet no filtriem blīvējumu. Ievietojiet filtrus atpakaļ ierīcē. Izvirzījumam apakšā un augšā jābūt redzamam priekšpusē (redzama filtra HEPA puse).



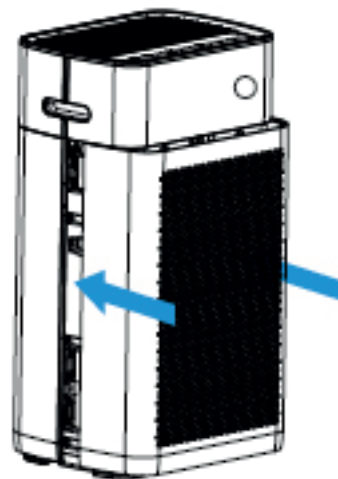
### 3. Priekšfiltra uzstādīšana

Uzstādiet priekšfiltru ar melno izvirzījumu uz āru. Ievietojiet filtra apakšdaļu apakšējā atverē un uzmanīgi iebīdīet augšdaļu (kas apzīmēta ar bultiņām) augšējā atverē.



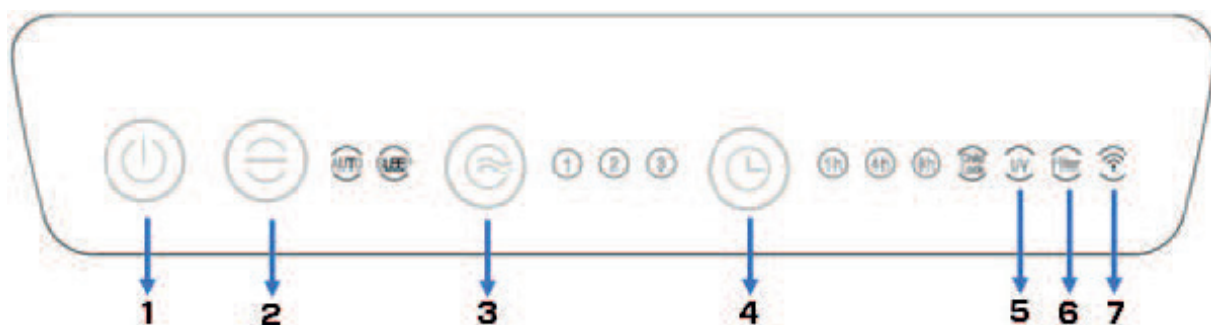
### 4. Paneļa uzstādīšana

Bīdīet priekšējo paneli paralēli augšējai un apakšējai malai zilās norādes virzienā; skatiet attēlu. Kad atskan klikšķis, panelis ir uzstādīts.



Ierīcei jāatrodas vismaz 30 cm no sienām un mēbelēm, lai nodrošinātu labu gaisa plūsmu. Pārbaudiet, ka gaisa ievades un izvades atveres nav nosprostotas.

## Vadības panelis/lietošanas norādījumi



### 1 Ieslēgšanas/izslēgšanas poga

Nospiežot ieslēgšanas/izslēgšanas pogu, ierīce tiek ieslēgta un izslēgta. (Ieslēdzot ierīci, noklusējuma režīms ir Automātiski).

### 2 Režīms

Nospiediet režīma pogu, lai izmantotu funkciju Auto (Automātiski) un Sleep (Miega režīms). Režīmā **Automatic** (Automātiski) iebūvētais viedais daļiņu sensors (Intelligent Particle Sensor™) automātiski mēra un uzrauga gaisa kvalitāti. Ventilators, ko vada sensors, automātiski konstatē, cik lielā mērā gaiss telpās ir piesārņots ar PM 2,5 izmēra daļiņām un attiecīgi pielāgo to 3 dažādiem ātrumiem.

Režīmā **Sleep** (Miega režīms) indikators spilgti deg. Indikators un digitālais displejs izslēgsies pēc 5 sekundēm. Nospiediet jebkuru taustiņu, lai pārstartētu gaismas indikatoru un digitālo displeju. Gaismas indikators un digitālais displejs pēc 5 sekundēm atkal izslēgsies. (Ventilators darbojas ar vismazāko ātrumu).

### 3 Ātrums

Nospiežot pogu Speed (Ātrums), ir iespējams mainīt ātrumu. Trīs ventilatora ātrumi ļauj izvēlēties vajadzīgo gaisa plūsmu. (1-2-3 nozīmē gaisa plūsmas ātruma palielinājumu).

### 4 Taimeris

Nospiediet pogu Taimeris, lai iestatītu taimeri "automātiski izslēgt" pēc 1, 4 un 8 stundām. Iestatīto stundu skaitu var redzēt taimera displejā.

### 5 UV LED lampa

Ultravioletās LED gaismas spuldzes ir jānomaina pēc 8000 darba stundām vai tad, ja displejā nodziest UV indikators.

### 6 Filtrs

Ja indikators mirgo, jāmaina kompozītmateriālu filtrs (HEPA un aktīvās ogles filtrs). Kompozītmateriālu filtra darbūžs ir 2000 darba stundas.

### 7 WiFi

WiFi indikators.

### 2 + 3 Bērnu drošības slēdzene

Bērnu drošības slēdzene aizsargā pret nevēlamu ierīces lietošanu.

Bērnu drošības slēdzeni ieslēdz un izslēdz, vienlaikus nospiežot pogu Režīms un Ātrums. Iedegsies bērnu drošības slēdzenes gaismas indikators.

### 3 + 4 Filtra atiestate

Atiestatiet kompozītmateriālu filtra taimeri, turot nospiešanu (aptuveni 3 sekundes) pogu Ātrums un Taimeris. Ja indikators nodziest, taimeris ir veiksmīgi atiestatīts.

## Digitālais monitors

Digitālais monitors gaisa attīrītāja CA-509Pro Smart priekšā automātiski un precīzi norāda faktisko gaisa kvalitāti, nosakot daudzuma līmeni daļiņām, kuru lielums ir PM 2,5, telpas mitruma līmeni un temperatūru.



**Zaļā krāsā** — labi:  
0–80 ug/m<sup>3</sup>

**Zilā krāsā** — vidēji:  
80–150 ug/m<sup>3</sup>

**Sarkanā krāsā** — slikti:  
150 ug/m<sup>3</sup> vai vairāk

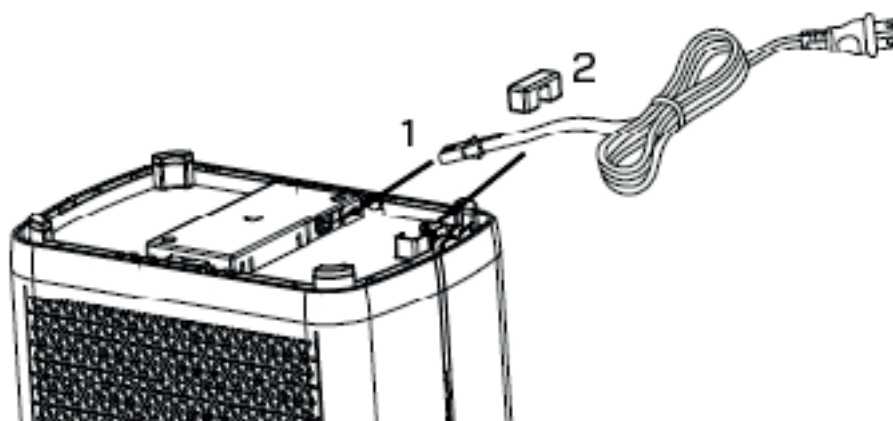
Daļiņas, kas ir 10 µm (PM 10) lielas un mazākas — 2,5 µm (PM 2,5) — var iekļūt plaušās; šīs daļiņas ir iekļautas sarakstā starp 10 lielākajiem cilvēku veselības apdraudētājiem. Šīs mazās daļiņas rodas, veicot tipiskas darbības telpās, piemēram, gatavojot, cepot cepeškrāsnī un uz pannas, smēķējot, kā arī apsildot telpas, vai arī tās lielos daudzumos nonāk telpās transporta, ražošanas, būvniecības, bioloģiska materiāla (putekšņu, baktēriju, ērcīšu un vīrusu) pārvietošanas dēļ, kā arī tām atceļojot no citiem reģioniem (ar lidmašīnu), ar izplūdes gāzēm vai vulkāna izvirdumiem.

Tādi alergēni kā putekšņi vai putekļi katru pavasari rada būtisku un ilgstošu apdraudējumu veselībai miljoniem cilvēku: šis skaits nemitīgi pieaug.

Relatīvā mitruma un temperatūras mērījumi

Svarīgi efektīvas gaisa attīrīšanas aspekti ir relatīvais mitrums no 45 līdz 60 % un telpas temperatūra apmēram 20–23 °C.

## Elektrības kabelis



1. Attīriet elektrības kabeli ierīces apakšā no līmes un ievietojiet elektrības kabeļa spraudni kontaktligzdā ierīces apakšdaļā (kā parādīts 1. attēlā).
2. Ievietojiet elektrības kabeli vadu atverē un nostipriniet ar vadu saspiedēju (kā parādīts 2. attēlā).

## Darbs ar Clean Air Optima<sup>®</sup> lietotni

### Savienojamība

#### Saderība ar viedtālruni un planšetdatoru:



iPhone, iPad un Android ierīces

#### Ierīce veido savienojumu, izmantojot Wi-Fi, ar lietotni:

CleanAirOptima

**Uzmanību!** Maršrutētājam jābūt iestatītam darbam 2,4 GHz platjoslā. Ja maršrutētājs ir iestatīts darbam 5,0 GHz, savienojumu izveidot nav iespējams.

### WiFi savienojuma izveide

1. Lejupielādējiet lietotni CleanAirOptima no App Store vai Google Play un instalējiet to.
2. Izveidojiet kontu un piesakieties.
3. Pieslēdziet ierīci strāvai un ieslēdziet to. WiFi indikators iemirgosies.
4. Pārliedzieties, ka viedtālrunis vai planšetdators ir veiksmīgi savienots ar WiFi tīklu.
5. Maršrutētājam jābūt iestatītam darbam 2,4 GHz platjoslā. Ja maršrutētājs ir iestatīts darbam 5,0 GHz, savienojumu nevar izveidot.
6. Pārliedzieties, ka viedtālrunī ir iespējots Bluetooth.
7. Atveriet lietotni CleanAirOptima un noklikšķiniet uz "Add device" (Pievienot ierīci) . Ierīce ir norādīta sarakstā, un jūs varat to atlasīt. Ja tā nav, izvēlieties "Auto Scan" (Automātiskā skenēšana). Izpildiet ekrānā redzamos norādījumus, lai pievienotu ierīci tīklam.
8. Lietotnē izvēlieties pievienot ierīci Clean Air Optima<sup>®</sup> un izpildiet tur sniegtos norādījumus.
9. Kad ierīce ir savienota pārī, WiFi indikators  nepārtraukti deg.
10. Kad konfigurēšana ir sekmīgi pabeigta, ierīces darbināšanai varat izmantot lietotni Clean Air Optima<sup>®</sup>.

#### Piezīme.

- Ja noklusējuma tīkls ir mainījies, atiestatiet WiFi savienojumu un izpildiet sadaļas "WiFi savienojuma iestatīšana" 3.–8. darbību.
- Ja pārī ar viedtālruni vai planšetdatoru vēlaties savienot vairākas ierīces, tas ir jādara pēc kārtas.
- Pārliedzieties, ka attālums starp viedtālruni vai planšetdatoru un ierīci ir mazāks par 5 metriem un nav šķēršļu. Arī pārliedzieties, ka atrodaties vienā telpā ar ierīci.

#### Atiestatiet WiFi funkciju:

- Atiestatiet WiFi, uz 3 sekundēm nospiežot pogu "Mode" (Režīms) un "Taimeris", WiFi indikators ātri mirgos.



## Ierīču pievienošana vairākiem tālruniem

Piezīme: Vispirms otrajai personai savā tālrunī ir jāinstalēlietotne „Clean Air Optima®” un jāizveido jauns konts.

### Ierīces kopīgošana ar ierobežotu piekļuvi:

Varat izvēlēties kopīgot 1 ierīci ar vairākām personām.

Šai personai būs piekļuve, taču tā nevarēs pārvaldīt visus iestatījumus.

Izpildiet tālāk sniegtos norādījumus, lai kopīgotu ierīci ar vairākām personām:

1. Dodieties uz attiecīgo ierīci.
2. Dodieties uz zīmuļa simbolu vai trīs punktiem augšējā labajā stūrī.
3. Izvēlieties „Kopīgot ierīci”.
4. Izvēlieties „Pievienot kopīgošanas iespēju”.
5. Izvēlieties kopīgošanas metodi, piemēram, pa e-pastu, whatsapp, īsziņu u.c. un turpiniet.
6. Ierīce automātiski tiks parādīta lietotnē „Clean Air Optima®” kopā ar otru kontu.

### Ierīces kopīgošana ar pilnu iekļuvi:

Varat pievienot vienu vai vairākas personas savas mājas pārvaldībai.

Šai personai tādējādi būs piekļuve visām jūsu ierīcēm, kas jau ir pievienotas, un tā saņems arī visas tiesības un atļaujas. Jūs tomēr vienmēr paliksiet galvenais administrators.

Izpildiet tālāk sniegtos norādījumus, lai pievienotu kādu personu savas mājas pārvaldībai:

1. Atveriet lietotni „Clean Air Optima®” un dodieties uz sadaļu „Es”.
2. Izvēlieties sadaļu „Mājas pārvaldība”.
3. Izvēlieties „Izveidot māju”.
4. Izvēlieties attiecīgo „Māju” un „Pievienot lietotāju”.
5. Izvēlieties kopīgošanas metodi, piemēram, pa e-pastu, whatsapp, īsziņu u.c. un turpiniet.
6. Attiecīgā „Māja” automātiski parādīsies tās personas lietotnē „Clean Air Optima®”, ar kuru esat kopīgojis savu „Māju”.
5. Otrās personas kontā:  
Lietotnē „Clean Air Optima®” dodieties uz sākuma ekrānu. Dodieties uz augšējo kreiso stūri un izvēlieties „Māja”.

## Tālvadības pults

### IESLĒGT/IZSLĒGT

Nospiežot ieslēgšanas/izslēgšanas pogu, ierīce tiek ieslēgta un izslēgta. (Ieslēdzot ierīci, noklusējuma režīms ir Automātiski).

### Speed (Ātrums)

Nospiežot pogu Speed (Ātrums), ir iespējams mainīt ātrumu. Trīs ventilatora ātrumi ļauj izvēlēties vajadzīgo gaisa plūsmu.

### Timer (Taimeris)

Nospiediet pogu Taimeris, lai iestatītu taimeri “automātiski izslēgt” pēc 1, 4 un 8 stundām.

### Child Lock (Bērnu drošības slēdzene)

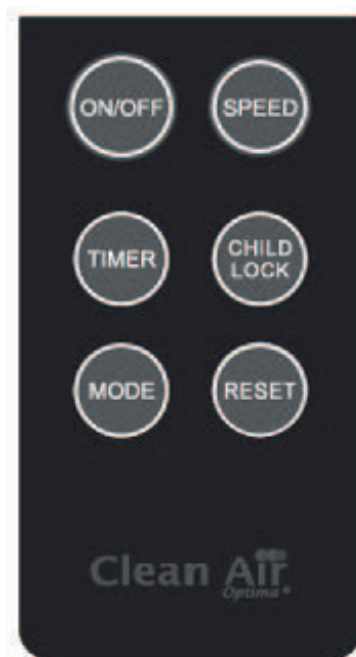
Bērnu drošības slēdzeni ieslēdz un izslēdz, aptuveni 3 sekundes turot nospiestu pogu Child lock (Bērnu drošības slēdzene).

### Mode (Režīms)

Nospiediet pogu Mode (Režīms), lai pārslēgtu funkciju Auto (Automātiski) un Sleep (Miega režīms).

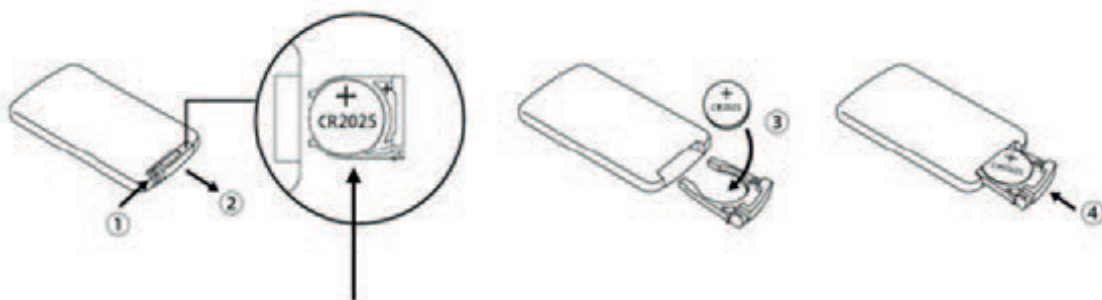
### Reset (Atiestatīt)

Atiestatiet kompozītmateriālu filtra taimeri, aptuveni 3 sekundes turot nospiestu pogu Reset (Atiestatīt).



## Bateriju nomaīņa

1. Atveriet bateriju turētāju tālvadības pults aizmugurē, nospiežot fiksatora izcilni (1. solis) labajā pusē ar īkšķi, tad izvelciet bateriju turētāju (2. solis).
2. Izņemiet veco bateriju un ievietojiet jaunu bateriju (CR2025.3V tipa), ievērojot pareizu polaritāti (3. solis).
3. Ievietojiet jaunu bateriju (CR2025.3V tipa).
4. Iespiediet bateriju turētāju atpakaļ tālvadības pultī (4. solis).



Bateriju (CR2025 tipa)

## Piesardzības pasākumi

1. Ja tālvadības pulti ilgstoši neizmanto, izņemiet bateriju, lai nepieļautu noplūdi no tās un tālvadības pults bojājumus.
2. Lietojiet tālvadības pulti gaisa attīrītāja darbības diapazonā.
3. Ja tālvadības pults nedarbojas pareizi, izņemiet bateriju un ievietojiet to atpakaļ pēc 30 sekundēm. Ja tālvadības pults joprojām nedarbojas, kā paredzēts, nomainiet bateriju.

## Apkope

### Gaisa attīrītāja ārpuses tīrīšana

1. Izslēdziet ierīci un izvelciet kontaktdakšu no kontaktligzdas.
2. Izmantojiet mīkstu un mitru drāniņu, lai no ierīces notīrītu putekļus un netīrumus.
3. Pārliecinieties, ka **ierīcē** neiekļūst ūdens.

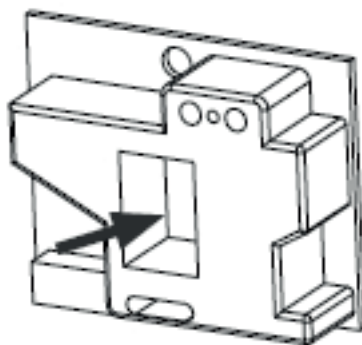
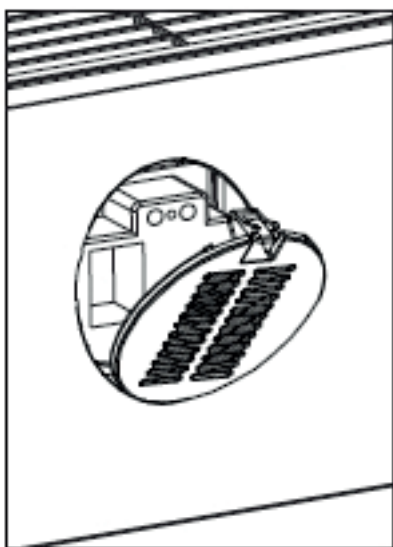
### Intelligent Particle Sensor™ tīrīšana

#### Tīriet gaisa kvalitātes sensoru ik pēc 6 līdz 8 nedēļām.

Ja vērtība PM 2,5 netiek parādīta pareizi, sensora lēcas tīrīšanai var izmantot vates tamponu.

1. Noņemiet sensora pārsegu.
2. Tīriet sensora lēcu ar vates tamponu un ūdeni, kā norādīts ar bultiņu. Pēc tam nosusiniet lēcu ar tīru vates tamponu.
3. Uzlieciet sensora pārsegu.
4. Netīriet sensora lēcu ar spirtu vai citu organisko šķīdinātāju.

**Uzmanību!** Ja telpas mitruma līmenis ir ļoti augsts, pastāv kondensāta rašanās risks uz gaisa kvalitātes sensora. Šādi gaisa kvalitātes indikators (digitālais displejs — daļiņu daudzuma mērīšana) var norādīt, ka gaisa kvalitāte ir slikta, kaut gan tas neatbilst patiesībai. Šajā gadījumā iesakām notīrīt gaisa kvalitātes sensoru vai nelietot gaisa attīrītāju automātiskajā režīmā.



## Filtru nomaiņa

Viedais gaisa attīrītājs **Clean Air Optima Intelligent Air Purifier CA-509Pro Smart** ir aprīkots ar filtra darbmuža uzraudzības mehānismu, kas norāda, ka filtri jāmaina pēc 2000 darba stundām. Lai norādītu, ka jāmaina kompozītmateriālu filtri (**HEPA un aktīvās ogles filtrs**), sāks mirgot gaisa attīrītāja gaismas indikators. Atiestatiet kompozītmateriālu filtra taimeris, turot nospiešu (aptuveni 3 sekundes) pogu Ātrums un Taimeris. Ja indikators nodziest, taimeris ir veiksmīgi atiestatīts.

**Atkarībā no lietošanas kompozītmateriālu filtru (HEPA un aktīvās ogles filtra) darbmužs ir aptuveni 6-8 mēneši.**

### Filtra tīrīšana

Vislabākais efekts panākams, tīrot filtrus reizi mēnesī. Ja telpu gaiss ir ārkārtīgi piesārņots, var būt nepieciešams veikt papildu tīrīšanu.



Tīriet **priekšfiltru** un **HEPA filtru** ar suku vai putekļsūcēju. Tādējādi no filtra var iztīrīt tādas lielākās putekļu daļiņas kā šķiedras, dzīvnieku blaugznas un spalvas.

**Brīdinājums!** Nekādā gadījumā nemitriniet un neskalojiet kompozītmateriālu filtrus (**HEPA un aktīvās ogles filtru**) ar ūdeni.

### Pazīmes, kas liecina par to, ka filtri ir nolietoti

Pastiprināta skaņa, samazināta gaisa plūsma, aizsērējuši filtri, pastiprinātas smakas. HEPA filtra maiņa jāveic, kad tas zaudējis savu balto krāsu un kļuvis pelēks vai melns. Ja HEPA filtrs joprojām paliek balts, filtra nomaiņa NAV nepieciešama.

### Kā pasūtīt filtrus:

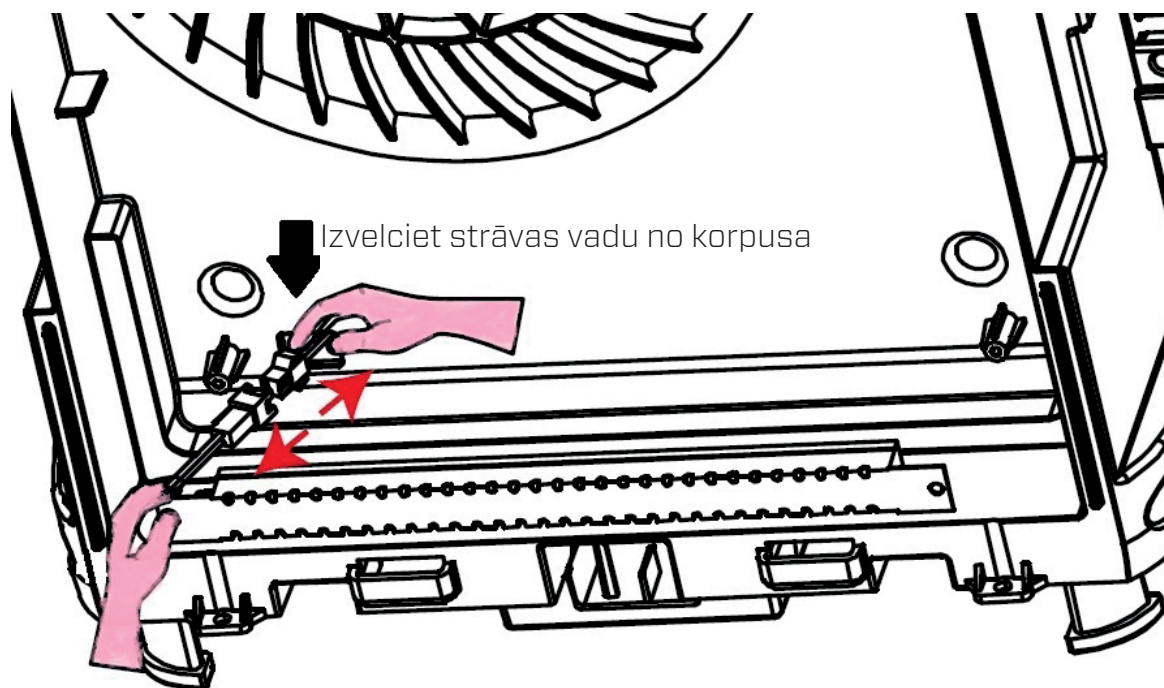
sazinieties ar Clean Air Optima klientu apkalpošanas dienestu pa tel. + 31 (0) 742670145 vai apmeklējiet mūsu tīmekļa veikalu: <https://www.cleanairoptima.com>

## Ultravioletās LED gaismas spuldžu nomaiņa (iekārtas priekšpusē un aizmugurē)

Abu gaisa attīrītāja Clean Air Optima CA-509Pro Smart ultravioletās LED gaismas spuldžu darbmūžs ir 8000 darba stundu, kas ir 1 gads, nepārtraukti darbojoties 24 stundas dienā. Ultravioletās LED gaismas spuldzes ir jānomaina pēc 8000 darba stundām vai tad, ja displejā nodziest UV indikators.



1. Izslēdziet ierīci un atvienojiet spraudni no kontaktligzdas.
2. Nospiediet atbrīvošanas pogas ar diviem pirkstiem un noņemiet priekšējo un aizmugurējo pārsegu.
3. Izņemiet filtrus (priekšpusē un aizmugurē).



4. Izmantojiet skrūvgriezi ar Philips uzgali, un izskrūvējiet skrūves no abu ultravioletās LED gaismas spuldžu (priekšējās un aizmugurējās) metāla aizsargiem.
5. Velciet strāvas vadu ārā no korpusa, līdz redzat spraudsavienotājus. Atbloķējiet spraudsavienotājus, skatiet attēlu.
6. Tagad varat uzstādīt jaunas ultravioletās LED gaismas spuldzes. Kad ultravioletās LED gaismas spuldzes ir uzstādītas, UV indikators atkal iedegas.

### Ultravioletās LED gaismas spuldžu pasūtīšana:

Sazinieties ar Clean Air Optima klientu apkalpošanas dienestu,  
zvanot pa tālruni + 31 (0) 742670145, vai apmeklējiet mūsu tīmekļa veikalu:

<https://www.cleanairoptima.com>

## Problēmu novēršana

Zemāk ir sniegti norādījumi tādu kļūmju novēršanai, kas var rasties, lietojot viedo gaisa attīrītāju **Clean Air Optima Intelligent Air Purifier CA-509Pro Smart**.

Problēma	Iespējamais cēlonis	Risinājums
Ierīce neieslēdzas	Elektrības kabelis nav atbilstoši pievienots  Elektrības kabelis ir bojāts  Nav pareizi uzstādīts priekšējais vai aizmugurējais panelis	Pareizi ievietojiet elektrības kabeļa kontaktspraudni un kontaktligzdā  Nomainiet elektrības kabeli  Uzstādiet paneli pareizi Skatiet nodaļu: Lietošana
Gaisa izvadā jūtams smārds	Filtrā ir uztverts pārāk daudz smārda vai putekļu  Ir beidzies filtru darbības laiks	Nomainiet kompozītmateriālu filtrus  Nomainiet kompozītmateriālu filtrus
Nepietiekama gaisa attīrīšana	Pārbaudiet, vai telpā gaiss nav pārāk sauss  Ierīce ir novietota nevēdināmā telpā vai ap to ir dažādi šķēršļi	Palieliniet mitruma līmeni  Noņemiet šķēršļus
No ierīces netiek izpūsts gaiss	Gaisa ievads vai izvads ir nosprostots	Noņemiet šķēršļus
Tālvadības pults nedarbojas	Pārbaudiet, vai ir ievietota baterija  Pārbaudiet, vai baterija ir ievietota pareizi  Pārbaudiet baterijas uzlādes līmeni  Pārbaudiet, vai nav pārsniegts tālvadības darbības diapazons	Ievietojiet bateriju  Ievietojiet bateriju pareizi  Nomainiet bateriju  Darbības diapazons ir 5 metru rādiusā no ierīces priekšdaļas
<b>Clean Air Optima® lietotne</b> nedarbojas	Viedtālrunis vai planšetdators nav savienots ar WiFi tīklu  Ierīcei nav savienojuma ar tīklu	Atiestatiet ierīci vienlaikus nospiežot pogas STAND (gaidīšana) un TIMER (taimeris) un turot tās nospiešanas brīdī 3 sekundes. WiFi indikators iemirgosies. Tad izpildiet 4.–8. darbību, kas aprakstīta nodaļā <b>“Darbs ar Clean Air Optima® lietotni”</b> .

## BRĪDINĀJUMS!

Ja iepriekš sniegtie risinājumi problēmu nenovērš, lūdzu, sazinieties ar Clean Air Optima tehnisko atbalstu pa jūsu reģiona tālruna numuru. Nemēģiniet izjaukt, atkārtoti salikt vai labot ierīci, jo tādējādi garantija var tikt anulēta.

## Specifikācijas

Modelis	CA-509Pro Smart
Piemērots telpām līdz:	90 m <sup>2</sup> /225 m <sup>3</sup> /970 ft <sup>2</sup>
Nominālais spriegums	220-240 V, 50/60 Hz
Nominālā jauda	Maks. 53 W
Ventilatora jauda (CADR)	400 m <sup>3</sup> /h (cietās daļiņas) — 100 m <sup>3</sup> /h (formaldehīds)
Filtra veiktspēja	99,97%
Sterilizācijas līmenis	99,9%
Negatīvie joni	2 000 000 joni/cm <sup>2</sup>
Trokšņa līmenis	Klusas darbības ventilators: < 20 dB (A) Low (zems līmenis) 1; 35 dB (A) Middle (vidējs līmenis) 2; 55 dB (A); Turbo (turbo) 3
Izmēri	560 × 320 × 210 mm
Svars	7,5 kg
Krāsa	Spilgti balta
Atbilst ES normatīviem	CE/WEEE/RoHS

Vaicājiet savam mazumtirgotājam vai pašvaldībai aktuālo informāciju attiecībā uz ierīces iepakojuma izmešanu.



## Apkope

### Viedā gaisa attīrītāja Clean Air Optima Intelligent Air Purifier CA-509Pro Smart garantijas talons.

Iegādes datums: .....  
Klienta vārds/nosaukums: .....  
Adrese: .....  
Tālrunis: .....  
E-pasts: .....  
Pārdevēja vārds/nosaukums: .....  
Adrese: .....

1. Lūdzam pilnībā aizpildīt šo garantijas talonu. Nosūtiet to savam izplatītājam ar rēķinu un ierīci, apmaksājot atpakaļsūtīšanu un izmantojot oriģinālo iepakojumu. Pārliecinieties, vai atpakaļsūtīšanas izdevumi ir apmaksāti pienācīgā apmērā.
2. Lūdzu, iekļaujiet īsu bojājuma, kļūmes vai nepareizas darbības aprakstu, kā arī aprakstiet apstākļus, kādos šīs problēmas radās.

Pirms izsūtīšanas no rūpnīcas ierīcei **Clean Air Optima Intelligent Air Purifier CA-509Pro Smart** tika veiktas stingras pārbaudes. Ja divu gadu laikā kopš izstrādājuma iegādes, izstrādājums nedarbojas atbilstoši specifikācijām, jo tam ir rūpnīcas defekti, pircējs ir tiesīgs bez maksas saņemt remonta pakalpojumus vai detaļu nomaiņu, uzrādot šo garantijas talonu (ja iekārtas kļūdainā nostrāde vai tās un/vai tās detaļu bojājums radies normālas darbības apstākļos). Uz ko attiecas garantija: visas detaļām, kurām ir materiāla vai ražošanas defekts. Cik ilgi: divus gadus no iegādes datuma. Kā rīkosimies: veiksīm remontu vai nomainīsim visas bojātas detaļas.

Izņēmumi: Regulāra filtru maiņa.

### Citi nosacījumi

Šīs garantijas nosacījumi aizstāj jebkuru citu rakstisku, skaidri izteiktu vai domātu, rakstisku vai mutisku garantiju, tostarp jebkādu garantiju attiecībā uz atbilstību kvalitātei vai konkrētam mērķim. Ražotāja maksimālais atbildības apmērs nepārsniedz reālo par produktu samaksāto maksu. Ražotājs nekādā gadījumā nav atbildīgs par speciālu, netīšu, izrietošu vai netiešu kaitējumu. Šī garantija neattiecas uz defektu, ja mēs esam noteikuši, ka tas radies nepareizas vai neatbilstošas lietošanas vai apkopes, nepareizas montāžas, negadījuma, dabas katastrofu, neatbilstoša iepakojuma vai nesankcionētu manipulāciju, izmaiņu vai modifikāciju rezultātā. Šī garantija nav derīga, ja etiķete, uz kuras ir sērijas numurs, ir noņemta vai sabojāta.

# Paldies, ka izlasījāt šo dokumentu!



Pievienojiet savas atsauksmes par Clean Air Optima Intelligent Air Purifier CA-509Pro Smart vietnē [www.cleanairoptima.com](http://www.cleanairoptima.com)



Lai skatītu bieži uzdotos jautājumus par CA-509Pro Smart, apmeklējiet vietni [www.cleanairoptima.com](http://www.cleanairoptima.com) un meklējiet "CA-509Pro Smart".



Lietotāja rokasgrāmatu PDF formātā varat lejupielādēt vietnē [www.cleanairoptima.com/info/manuals](http://www.cleanairoptima.com/info/manuals)



Skatiet visu Clean Air Optima izstrādājumu animācijas videoklipus vietnē [www.youtube.com](http://www.youtube.com)

**Clean Air Optima International B.V.** | Rientjesoven 26 | 7621 HG Borne  
Nīderlande | Tālrunis: +31 (0) 74 - 2670145

**Clean Air Optima Germany GmbH** | Enschedestraße 14 | 48529 Nordhorn  
Vācija | Tālrunis: +49 (0) 5921 879-121

E-pasta adrese: [info@cleanairoptima.com](mailto:info@cleanairoptima.com)

Tīmekļa vietne: [www.cleanairoptima.com](http://www.cleanairoptima.com)

## Русский

### **Благодарим за покупку интеллектуального осушителя воздуха Clean Air Optima CA-509Pro Smart.**

Этот эффективный высококачественный продукт будет обеспечивать здоровый воздух внутри помещения на протяжении множества лет.

При использовании данного электроприбора соблюдайте меры предосторожности, предписанные правилами эксплуатации. Они описаны в настоящем руководстве с целью предотвращения травм и повреждения прибора.

### **Перед использованием нового интеллектуального очистителя воздуха Clean Air Optima CA-509Pro Smart.**

Сначала снимите уплотнение с фильтров, см. стр. 5. Порядок работы с прибором.

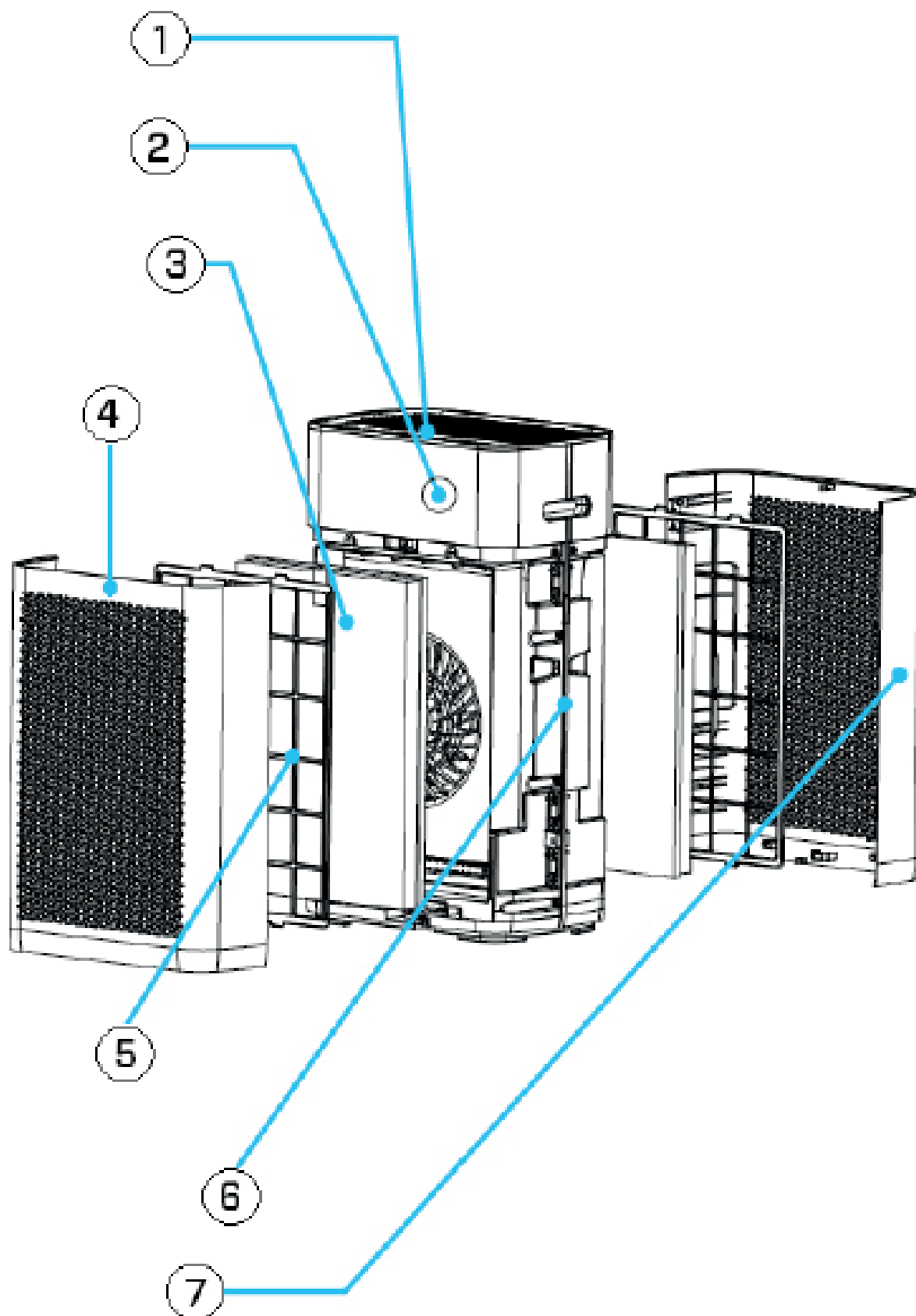


### **Описание прибора**

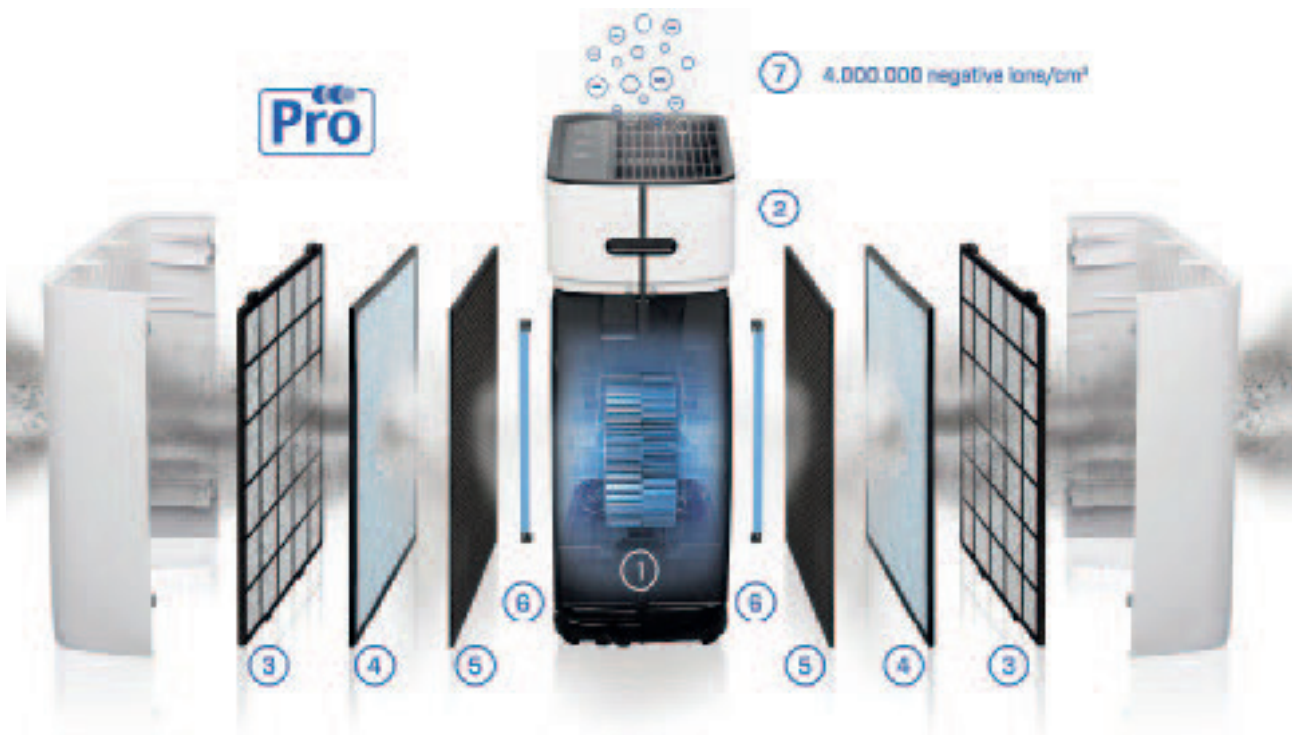
Прибор состоит из следующих компонентов:

1. Панель управления
2. Цифровой измеритель качества воздуха в помещении
  - Измерение содержания частиц до Т42,5
  - Относительная влажность воздуха в %
  - Температура в °С
3. Композитный фильтр: TRUE HEPA и фильтр с активированным углем
4. Лицевая панель
5. Фильтр предварительной очистки
6. Основная часть очистителя воздуха
7. Задняя панель

## CA-509Pro Smart/ Основной блок



## Система двойного воздушного потока - Система двойной фильтрации - Двойной ионизатор для двойной очистки воздуха!



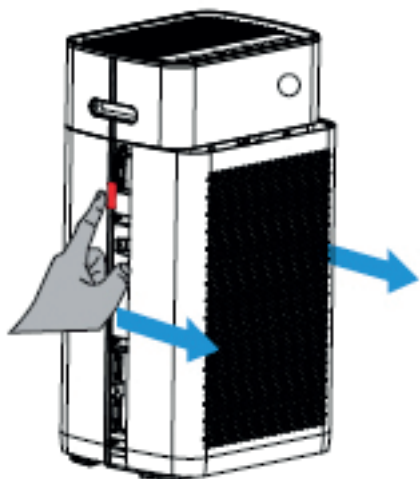
1. Вентилятор двойного действия
2. Интеллектуальный датчик частиц (Intelligent Particle Sensor™)
3. Фильтр предварительной очистки
4. Фильтр Nano-Zilver True HEPA
5. Фильтр с активированным углем
6. УФ светодиодная лампа
7. Двойной ионизатор

## Предупреждения по технике безопасности

Данный прибор следует использовать в строгом соответствии с настоящими правилами техники безопасности. Во избежание травм, в частности вследствие поражения электрическим током или возгорания, придерживайтесь следующих правил.

1. Используйте прибор только в помещениях. Не используйте и не храните прибор на улице.
2. Данный прибор не предназначен для использования детьми или лицами с ограниченными физическими, сенсорными или умственными способностями без контроля лиц, ответственных за их безопасность.
3. Не используйте прибор при наличии повреждений электрического кабеля или прибора. Не пытайтесь отремонтировать прибор самостоятельно. Ни в коем случае не тяните прибор за кабель питания. Во избежание поражения электрическим током или возгорания поврежденный кабель питания должен заменять уполномоченный технический специалист.
4. Выполнять ремонт должен только уполномоченный технический специалист. Во избежание поражения электрическим током или возгорания не пытайтесь ремонтировать прибор самостоятельно.
5. Если прибор не используется, он должен быть отключен от источника питания.
6. Используйте только кабели из комплекта.
7. Если прибор не используется, либо он подвергается очистке, прибор должен быть отключен от источника питания.
8. В целях безопасности устанавливайте прибор в устойчивое горизонтальное положение. Не передвигайте прибор во время его работы.
9. Не используйте устройство в помещениях, где хранятся легковоспламеняющиеся жидкости или газы, рядом с источниками тепла или в очень влажных помещениях, таких как ванная комната.
10. Ни в коем случае не вставляйте посторонние предметы в корпус прибора. Это приведет к его поломке.
11. Ни в коем случае не закрывайте воздухозаборник и выпускное отверстие.
12. Ни в коем случае не разбирайте и не заменяйте внутренние компоненты прибора.
13. Когда устройство работает, не прикасайтесь к решеткам на впуске или выпуске воздуха и не вставляйте ручку или какие-либо предметы в выпуск воздуха во избежание травмы или повреждения очистителя воздуха.
14. Чтобы не перекрывать решетку на впуске и выпуске воздуха воздухоочистителя, не размещайте предметы над передней крышкой воздухоочистителя или рядом с ней.
15. Не кладите тяжелые предметы на прибор.
16. Не допускайте попадания на прибор прямых солнечных лучей. Это может привести к его обесцвечиванию.
17. Ни в коем случае не погружайте прибор в воду или другие жидкости.
18. Не прикасайтесь к шнуру питания мокрыми руками.
19. Регулярно очищайте фильтр предварительной очистки, если фильтр предварительной очистки пропитан пылью, это приведет к неудовлетворительному эффекту очистки. Потребление энергии увеличится, это может вызвать сбой.
20. Нормальные условия работы устройства: от 0 °C до 40 °C.
21. В ходе эксплуатации, технического обслуживания и очистки прибора следуйте положениям настоящего руководства.

## Порядок работы с прибором (установка фильтра для передней и задней части)



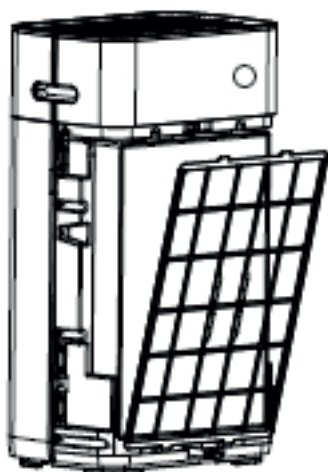
### 1. Разберите панель

Нажмите на обозначенный красным значок с левой и правой стороны воздухоочистителя двумя пальцами, см. рисунок. Потяните панель на себя, как указано синими стрелками.



### 2. Установите композитный фильтр

Снимите уплотнение с фильтров. Поместите фильтры обратно в устройство. Кран на днище и на верхней части должен быть виден спереди (видна сторона HEPA от фильтра).



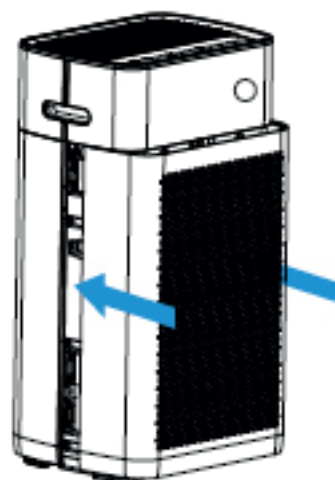
### 3. Установите фильтр предварительной очистки

Установите фильтр предварительной очистки таким образом, чтобы с черная выпуклость была обращена наружу. Вставьте его нижнюю часть в нижнюю прорезь и осторожно вдвиньте верхнюю часть (со стрелками на ней) в верхнюю прорезь.

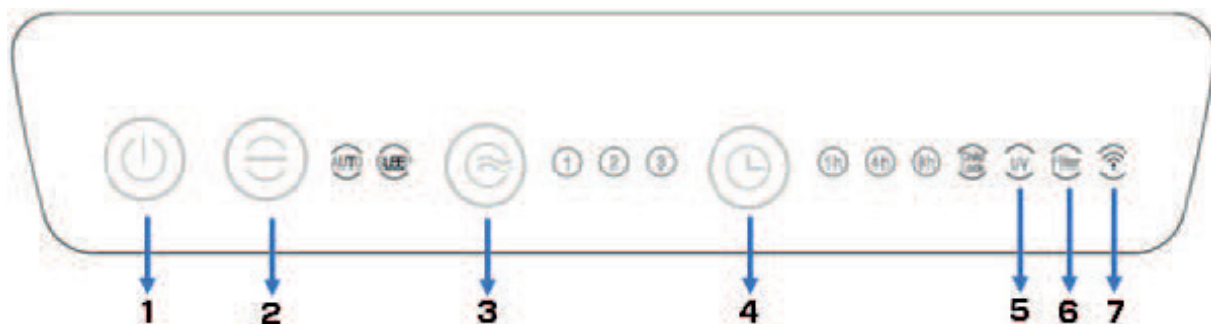


### 4. Установить панель

Нажмите на переднюю панель вдоль верхних и нижних краев в направлении, показанном синим, см. рисунок. Когда вы услышите щелчок, панель установлена.



Устройство должно располагаться на расстоянии не менее 30 см от стен и мебели для обеспечения хорошего воздушного потока. Убедитесь, что воздуховыпускное и воздуховыпускное отверстия не перекрыты.



### 1 кнопка питания

Кнопка питания служит для включения и отключения устройства.  
(По умолчанию после включения устройства активируется автоматический режим).

### 2 режим

Кнопка Mode (Режим) служит для переключения функций Auto (Авто) и Sleep (Сон).  
В режиме **Auto** (Авто) встроенный интеллектуальный датчик (Intelligent Particle Sensor™) автоматически измеряет и регулирует качество воздуха. Вентилятор, управляемый датчиком, автоматически определяет, в какой степени воздух в помещении загрязнен частицами размером PM2.5 и соответствующим образом выбирает одну из 3-х различных скоростей.  
В настройках **Sleep** (Сон) индикатор светится ярко. Индикатор, включая цифровой дисплей, погаснет через 5 секунд. Нажмите любую клавишу, чтобы перезапустить индикатор и цифровой дисплей. Индикатор и цифровой монитор снова погаснут через 5 секунд.  
(Вентилятор работает на самом низком уровне скорости).

### 3 скорость

Нажав кнопку Speed (Скорость), вы можете изменить уровень скорости. 3 скорости вращения вентилятора обеспечивают индивидуально настраиваемый поток воздуха. (1-2-3 означает увеличение скорости потока воздуха).

### 4 таймер

Нажмите кнопку Timer (Таймер), чтобы установить таймер в режим «автоматического отключения» в диапазоне между 1, 4 и 8 часами. Количество выбранных часов можно увидеть на дисплее таймера.

### 5 Светодиодная УФ-лампа

Светодиодная УФ-лампы подлежат замене через 8000 часов эксплуатации или в случае выключения светового индикатора (UV) на панели.

### 6 фильтр

Если индикатор мигает, композитный фильтр (HEPA и фильтр с активированным углем) должен быть заменены. Срок службы композитного фильтра составляет 2000 часов.

### 7 Wi-Fi

Индикатор Wi-Fi

### 2 + 3 блокировка от детей

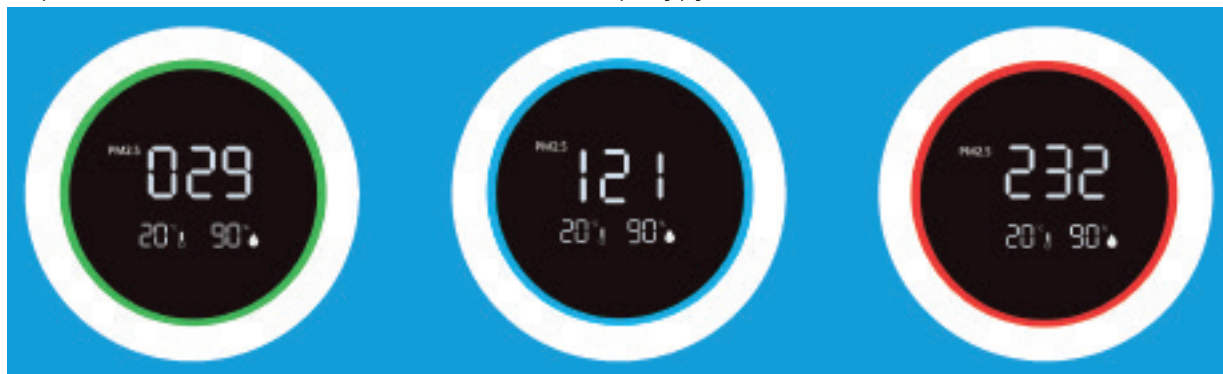
Блокировка от детей защищает от нежелательного использования устройства.  
Блокировка от детей включается / выключается при одновременном нажатии кнопок Mode (Режим) и Speed (Скорость). Индикатор блокировки от детей загорается ярким светом.

### 3+4 сброс фильтра

Сбросьте таймер для композитного фильтра, нажав и удерживая кнопку Speed (Скорость) и Timer (Таймер) (около 3 секунд). Если индикатор гаснет, таймер был успешно сброшен.

## Цифровой монитор

Цифровой монитор на передней стороне очистителя воздуха CA-509Pro Smart автоматически и точно показывает текущее качество воздуха, измеряя уровень содержания частиц PM2.5, влажность и температуру в помещении.



**Зеленый** - хорошо:  
0-80мкг/м<sup>3</sup>

**Синий** - средне:  
80-150мкг/м<sup>3</sup>

**Красный** - плохо:  
150 мкг/м<sup>3</sup> или более

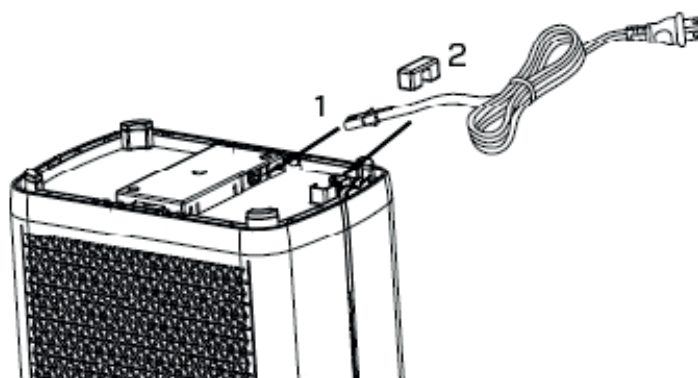
Твердые частицы размером 10 микрон (PM10) и меньше 2,5 микрона (PM2.5) могут попадать в легкие и относятся к 10 главным угрозам для здоровья человека. Эти мелкие частицы возникают в типичных для помещений процессах, таких как варка, выпечка, жарка, курение или отопление, а также попадают в больших количествах в воздух помещений от транспортных средств, оборудования промышленности, строительства, в виде биологического материала (цветочная пыльца, бактерии, клещи и вирусы), выхлопных газов самолетов и продуктов извержений вулканов.

Аллергены, такие как цветочная пыльца и пыль, являются серьезными и долгосрочными угрозами здоровью миллионов людей каждую весну: цифры постоянно растут.

Измерение относительной влажности и температуры

Важные аспекты эффективной очистки воздуха: относительная влажность 45 – 60 % и комнатная температура 20 – 23 °C

## Шнур питания



1. Удалите клей шнура питания с нижней части устройства и вставьте конец шнура питания в гнездо в нижней части устройства (как показано на рисунке 1).
2. Вставьте линию электропитания в паз для провода и зафиксируйте ее клеем для прижима провода (как показано на рисунке 2).

## Работа с приложением Clean Air Optima<sup>®</sup>



### Возможность подключения

**Совместимость со смартфонами и планшетами:**  
устройства iPhone, iPad и Android

**Приборы, подключающиеся к приложению по Wi-Fi:**  
CleanAirOptima

**Внимание:** Маршрутизатор должен быть настроен на широкополосный доступ в диапазоне 2,4 ГГц. Если роутер настроен на 5,0 ГГц, невозможно установить соединение.

### Настройка соединения Wi-Fi

1. Загрузите и установите приложение CleanAirOptima в App Store или Google Play.
2. Создайте учетную запись и войдите в систему.
3. Вставьте вилку в электророзетку и включите устройство. Индикатор Wi-Fi начнет мигать.
4. Маршрутизатор должен быть настроен на широкополосный доступ в диапазоне 2,4 ГГц. Если маршрутизатор настроен на частоту 5,0 ГГц, соединение не может быть установлено.
5. Убедитесь, что Bluetooth включен на вашем смартфоне.
6. Убедитесь, что смартфон или планшет подключен к сети Wi-Fi.
7. Откройте приложение CleanAirOptima и нажмите кнопку Add device . Ваш прибор должен находиться в списке. Если вы не можете выбрать его, нажмите кнопку Auto Scan. Следуйте инструкциям на экране, чтобы подключить прибор к сети.
8. Добавьте прибор Clean Air Optima<sup>®</sup> в приложение, следуя инструкциям.
9. После установки сопряжения прибора индикатор Wi-Fi  светится непрерывно.
10. После завершения настройки приложение Clean Air Optima<sup>®</sup> можно использовать для управления прибором.

### Примечания

- В случае изменения сети по умолчанию сбросьте соединение Wi-Fi и выполните шаги 3—8 в разделе «Настройка соединения Wi-Fi».
- Чтобы подключить к смартфону или планшету несколько приборов, описанные действия следует выполнять поочередно для каждого прибора.
- Убедитесь, что прибор находится на расстоянии не более 5 м от смартфона или планшета, а также в отсутствии между ними препятствий. Кроме того, вы должны находиться в той же комнате, что и прибор.

### Сброс настроек Wi-Fi:

- сбросьте настройки Wi-Fi, нажав кнопку Mode и Таймер удерживая ее в течение 3 секунд, при этом индикатор Wi-Fi будет часто мигать.



## Подключите устройства к нескольким телефонам

Примечание: сначала необходимо установить приложение Clean Air Optima® на своем телефоне и создать новую учетную запись.

### Делитесь своим устройством с ограниченным доступом.

Вы можете предоставить общий доступ к 1 устройству для нескольких лиц. Таким лицам предоставляется доступ к устройству, но они не смогут управлять всеми настройками.

Для предоставления общего доступа к устройству для нескольких лиц следуйте приведенным ниже инструкциям.

1. Выберите соответствующее устройство.
2. Перейдите к карандашу или трем точкам вверху справа.
3. Выберите Share device (Общий доступ к устройству).
4. Выберите Add sharing (Предоставить общий доступ).
5. Выберите способ предоставления общего доступа, например посредством электронной почты, whatsapp, sms и т. д. и продолжите.
6. Устройство автоматически появится в приложении Clean Air Optima® с другой учетной записью.

### Предоставьте полный доступ к устройству.

Вы можете предоставить доступ к управлению вашим домом для одного или нескольких пользователей.

Такой пользователь получает доступ ко всем вашим устройствам, которые уже связаны между собой, а также ему предоставляются полные права и разрешения. Вы всегда остаетесь главным администратором.

Чтобы добавить пользователя к управлению вашим домом следуйте приведенным ниже инструкциям.

1. Откройте приложение Clean Air Optima® и перейдите в Me (Я).
2. Затем выберите Home Management (Управление домом).
3. Выберите Create a home (Создать дом).
4. Выберите соответствующий Home (Дом) и Add member (Добавить пользователя).
5. Выберите способ предоставления общего доступа, например посредством электронной почты, whatsapp, sms и т. д. и продолжите.
6. Соответствующий Home (Дом) автоматически появится в приложении Clean Air Optima® пользователя, которому вы предоставили доступ к своему Home (Дому).
5. В другой учетной записи:  
перейдите на начальный экран в приложении Clean Air Optima®. Вверху слева выберите Home (Дом).

## Дистанционное управление

### ВКЛ/ВЫКЛ

Кнопка питания служит для включения и отключения устройства. (По умолчанию после включения устройства активируется автоматический режим).

### Скорость

Нажав кнопку Speed (Скорость), вы можете изменить уровень скорости. 3 скорости вращения вентилятора обеспечивают индивидуально настраиваемый поток воздуха.

### Таймер

Нажмите кнопку Timer (Таймер), чтобы установить таймер в режим «автоматического отключения» в диапазоне между 1, 4 и 8 часами.

### Блокировка от детей

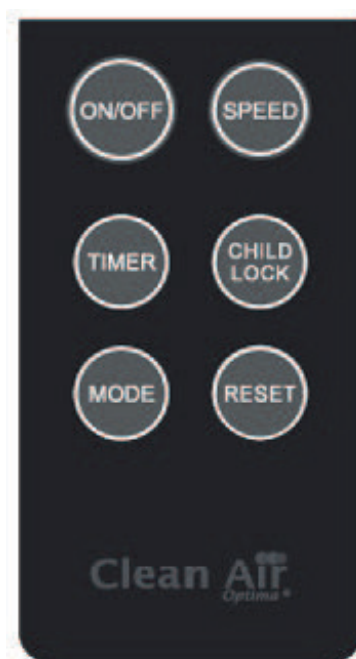
Блокировка от детей включается/выключается нажатием и удержанием кнопки блокировки от детей примерно в течение 3 секунд.

### Режимы

Нажимайте кнопку Mode (Режим) для переключения между функцией Mode (Режим) и Sleep (Сон).

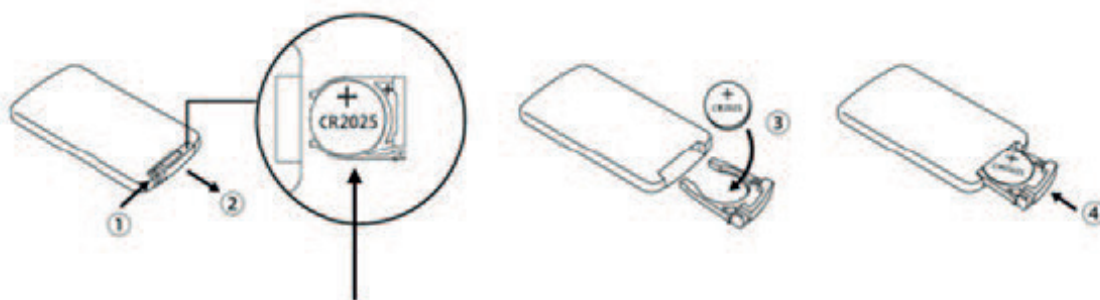
### Сброс

Сбросьте таймер для составного фильтра, нажав и удерживая кнопку Reset (Сброс) в течение 3 секунд.



## Замена батареи

1. Откройте держатель батареи на задней части пульта дистанционного управления, сдвинув стопорный язычок (шаг 1) вправо большим пальцем, после чего вытяните держатель батареи (шаг 2).
2. Извлеките старую батарею и установите на ее место новую (требуемый тип — CR2025.3V), соблюдая полярность (шаг 3).
3. Вставьте новую батарею (требуемый тип — CR2025.3V).
4. Вставьте держатель батареи обратно в пульт дистанционного управления (шаг 4).



батарею (требуемый тип — CR2025)

## Меры предосторожности

1. Если вы не используете пульт дистанционного управления в течение длительного времени, извлеките батарею в целях предотвращения утечки тока и повреждения пульта дистанционного управления.
2. Используйте пульт дистанционного управления в пределах предусмотренного расстояния от воздухоочистителя
3. Если пульт дистанционного управления не работает должным образом, выньте батарею и установите ее обратно через 30 секунд. Если неисправность не была устранена, замените батарею.

## Техническое обслуживание

### Очистка внешней поверхности воздухоочистителя

1. Выключите устройство и выньте вилку из розетки.
2. Используйте мягкую и влажную ткань для очистки устройства от пыли и грязи.
3. Убедитесь, что в устройство не попадает **вода**.

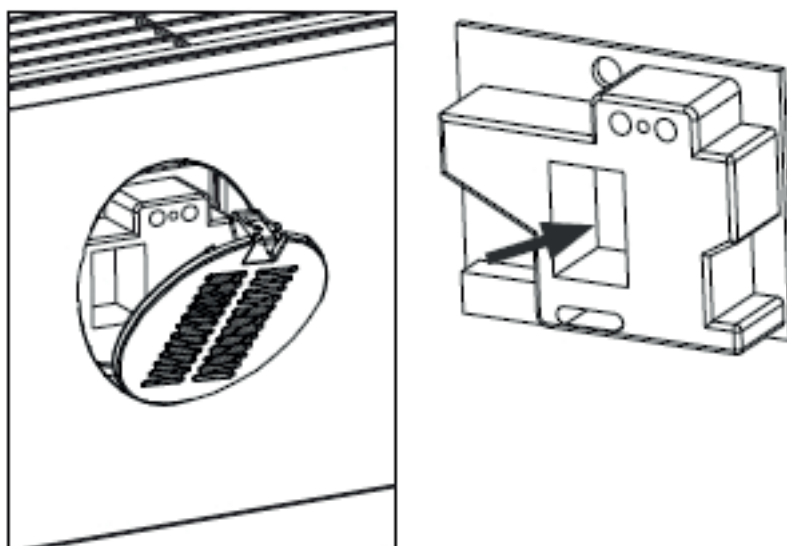
### Очистка интеллектуального датчика частиц (Intelligent Particle Sensor™)

#### Очищайте датчик качества воздуха каждые 6-8 недель.

Если значение PM 2,5 отображается неправильно, линзу датчика можно очистить ватным тампоном.

1. Снимите крышку датчика.
2. Очистите линзу датчика ватным тампоном и водой, как указано стрелкой. Затем насухо вытрите линзу чистым ватным тампоном.
3. Установите крышку датчика.
4. Не протирайте линзу датчика спиртом или другим органическим растворителем.

**Внимание!** Если влажность в помещении очень высокая, существует риск конденсации на датчике качества воздуха. Это может привести к тому, что индикатор качества воздуха (Digital Display — Particle Measurement (Цифровой дисплей — Измеритель содержания частиц)) будет показывать, что качество воздуха плохое, в то время как это не так. В этом случае мы рекомендуем очистить датчик качества воздуха или не использовать очиститель воздуха в автоматическом режиме.



## Замена фильтров

**Интеллектуальный воздухоочиститель Clean Air Optima Intelligent Air Purifier CA-509Pro Smart** оснащен механизмом наблюдения за работоспособностью фильтра, который сигнализирует о необходимости замены фильтров по прошествии 2000 часов работы. Мигание индикатора воздухоочистителя указывает на необходимость замены композитных фильтров (**HEPA + фильтр с активированным углем**). Сбросьте таймер для композитного фильтра, нажав и удерживая кнопку Speed (Скорость) и Timer (Таймер) (около 3 секунд). Если индикатор гаснет, таймер был успешно сброшен.

**В зависимости от использования композитные фильтры (HEPA + фильтр с активированным углем) имеют срок службы около 6-8 месяцев.**

### Очистка фильтра

Наилучший эффект достигается при очистке фильтров один раз в месяц. Если воздух в помещении чрезмерно загрязнен, может потребоваться дополнительная очистка.



Очистите **фильтр предварительной очистки** и **фильтр HEPA** щеткой или пылесосом. Таким способом из фильтра можно удалить большие частицы пыли, такие как текстильная пыль, волосы и перхоть домашних животных.

**Предупреждение!** Никогда не мочите и не ополаскивайте композитные фильтры (**HEPA + фильтр с активированным углем**) водой.

### Знаки для использованных фильтров

увеличенный шум, уменьшенный поток воздуха, засоренные фильтры, повышенное присутствие запахов. Фильтр HEPA необходимо заменить новым, если он изменил цвет с белого на серый или черный. Если фильтр HEPA остается белым, нет необходимости заменять его.

### Как заказывать фильтры:

Свяжитесь со службой поддержки клиентов компании Clean Air Optima по телефону + 31 (0) 742670145 или посетите наш интернет-магазин:

<https://www.cleanairoptima.com>

## Замена Светодиодная УФ-ламп (спереди и сзади устройства)

Обе Светодиодная УФ-лампы очистителя воздуха Clean Air Optima CA-509Pro Smart имеют срок службы 8000 рабочих часов, что эквивалентно 1 году непрерывного использования. Светодиодная УФ-лампы подлежат замене через 8000 часов эксплуатации или в случае выключения светового индикатора (UV) на панели.



1. Выключите устройство и достаньте вилку из розетки.
2. Двумя пальцами нажмите на кнопки фиксатора и снимите переднюю и заднюю крышки.
3. Достаньте фильтры (передний и задний).



4. При помощи крестовой отвертки выкрутите винты из металлической защиты обеих Светодиодная УФ-ламп (передней и задней).
5. Вытягивайте шнур питания из корпуса на себя, пока не увидите штепсельные соединители. Отсоедините штепсельные соединители (см. рисунок).
6. Теперь можно вставлять новые Светодиодная УФ-лампы. После установки новых Светодиодная УФ-ламп световой индикатор (UV) снова загорится.

### Заказ Светодиодная УФ-ламп:

обратитесь в центр обслуживания покупателей Clean Air Optima по телефону + 31 (0) 742670145 или посетите наш интернет-магазин: <https://www.cleanairoptima.com>

## Диагностика и устранение неисправностей

Ниже приведены указания по диагностике и устранению неисправностей, которые помогут решить потенциальные проблемы при эксплуатации осушителя **Интеллектуального воздухоочистителя Clean Air Optima Intelligent Air Purifier CA-509Pro Smart**.

Проблема	Возможная причина	Решение
Прибор не включается	Кабель питания подключен неправильно	Правильно соедините штекер и разъем питания
	Оборван шнур питания	Заменить шнур питания
	Передняя или задняя панель установлена неправильно	Установите панель правильно. Смотрите главу: Порядок работы с прибором
На выпуске воздуха чувствуется неприятный запах	Фильтр задерживает слишком много запаха или пыли	Заменить композитные фильтры
	Срок службы фильтров истек	Заменить композитные фильтры
Плохой очищающий эффект	Проверьте, не слишком ли низкая влажность в помещении	Увеличить влажность
	Устройство размещается в неventилируемом помещении или окружено препятствиями	Убрать препятствия
Из устройства не выходит воздух	Впуск или выпуск воздуха заблокированы	Убрать препятствия
Пульт дистанционного управления не работает	Проверить, установлена ли батарея	Установить батарею
	Проверить, правильно ли установлена батарея	Установить батарею правильно
	Проверить емкость батареи	Заменить батарею
	Проверить, не превышает ли расстояние дистанционного управления предусмотренный диапазон	Радиус действия: 5 метров от лицевой стороны устройства
Управление через приложение <b>Clean Air Optima®</b> не работает	Смартфон или планшет не подключен к сети Wi-Fi Прибор не подключен к сети	Перезагрузите устройство. Для этого нажмите и удерживайте кнопки STAND (РЕЖИМ ОЖИДАНИЯ) и TIMER (ТАЙМЕР) одновременно в течение трех секунд. Индикатор Wi-Fi начнет мигать. Затем выполните шаги 4—8 из раздела «Работа с приложением <b>Clean Air Optima®</b> ».

## ПРЕДУПРЕЖДЕНИЕ!

Если проблема не устранена посредством описанных выше мер, обратитесь в службу технической поддержки Clean Air Optima по номеру телефона для вашего региона. Не пытайтесь разбирать, ремонтировать и снова собирать прибор. Это приведет к аннулированию гарантии.

## Технические характеристики

Модель	CA-509Pro Smart
Подходит для помещений до:	90 м <sup>2</sup> / 225 м <sup>3</sup> / 970 фут <sup>2</sup>
Номинальное напряжение	220 В - 240 В, 50 Гц / 60 Гц
Номинальная мощность	Макс. 43 Вт
Производительность вентилятора (CADR)	400 м <sup>3</sup> /ч (твердые частицы) - 100 м <sup>3</sup> /ч (формальдегид)
Фильтрующая способность фильтра	99,97%
Степень стерилизации	99,9%
Отрицательный ион	2000000 ионов/см <sup>2</sup>
Уровень шума	Тихий вентилятор с уровнем шума менее 20 дБ(А) низкий 1 / 35 дБ(А) средний 2 / 55 дБ(А) турбо 3
Размеры	560 x 320 x 210 мм
Масса	7,5 кг
Цвет	Ярко-белый
Соответствует нормам ЕС	CE / WEEE / RoHS

Запросите у вашего продавца или представителя местного органа управления обновленную информацию по утилизации упаковки и прибора.



## Техническое обслуживание

### Гарантийный сертификат для интеллектуального воздухоочистителя Clean Air Optima Intelligent Air Purifier CA-509Pro Smart.

Дата покупки: .....  
Ф.И.О. клиента: .....  
Адрес: .....  
Телефон: .....  
Эл. почта: .....  
Наименование продавца: .....  
Адрес: .....

1. Заполните настоящий Гарантийный талон. Отправьте его вместе со счетом-фактурой и прибором в оригинальной упаковке своему дистрибьютору по почте, предварительно оплатив почтовые расходы. Укажите соответствующую стоимость возврата посылки.
2. Приложите краткое описание повреждения, дефекта или неисправности, а также обстоятельства, при которых возникли эти проблемы.

Перед выпуском с завода интеллектуальный воздухоочиститель **Clean Air Optima Intelligent Air Purifier CA-509Pro Smart** проходит жесткие процедуры тестирования. Если в течение 2 лет со дня покупки продукт не работает в соответствии с техническими характеристиками из-за заводских дефектов, покупатель имеет право на бесплатный ремонт или замену деталей после предъявления настоящей гарантии (при условии, что неисправность или повреждение устройства и/или детали произошли при нормальных условиях работы). Что покрывается гарантией: Все детали с дефектами материалов и изготовления. Срок гарантии: два года со дня покупки. Что будет сделано: Ремонт или замена неисправных деталей.  
Исключения: Регулярная замена фильтров.

#### Другие условия

Положения настоящей гарантии заменяются любой другой письменной гарантией, выраженной или подразумеваемой, письменной или устной, включая любую гарантию товарной пригодности или пригодности для определенной цели. Максимальная ответственность производителя не должна превышать фактическую стоимость покупки, оплаченную за данное изделие. Ни при каких обстоятельствах производитель не несет ответственности за особые, случайные, последующие или косвенные убытки. Настоящая гарантия не распространяется на дефект, возникший в результате неправильного или неразумного использования или технического обслуживания, неправильной сборки, несчастного случая, стихийных бедствий, неправильной упаковки или несанкционированного вмешательства, изменения или модификации, как определено исключительно нами. Настоящая гарантия аннулируется, если этикетка с серийным номером удалена или повреждена.

# Спасибо за внимание!



Поделитесь своим мнением об интеллектуальном воздухоочистителе Clean Air Optima Intelligent Air Purifier CA-509Pro Smart на: [www.cleanairoptima.com](http://www.cleanairoptima.com)



Чтобы ознакомиться с часто задаваемыми вопросами о CA-509Pro Smart, перейдите по ссылке: [www.cleanairoptima.com](http://www.cleanairoptima.com) и найдите CA-509Pro Smart.



Скачать инструкцию в формате PDF:  
[www.cleanairoptima.com/info/manuals](http://www.cleanairoptima.com/info/manuals)



Смотрите все анимационные видеоролики о продукте Clean Air Optima на сайте [www.youtube.com](http://www.youtube.com)

Clean Air Optima International B.V. | Rientjesoven 26 | 7621 HG нести  
Нидерланды | Телефон: +31 (0) 74 - 2670145

Clean Air Optima Germany GmbH | Enschedestraße 14 | 48529 Нордхорн  
Германия | Телефон: +49 (0) 5921 879-121

Эл. почта: [info@cleanairoptima.com](mailto:info@cleanairoptima.com)

Веб-сайт: [www.cleanairoptima.com](http://www.cleanairoptima.com)

## Македонски

### Ви благодариме што го купивте интелигентниот прочистувачот на воздух Clean Air Optima CA-509Pro Smart.

Ви посакуваме многу години на здрав воздух во вашите простории со овој ефикасен и ефективен производ.

За да функционира правилно овој електричен апарат, погрижете се да ги следите сите безбедносни мерки на претпазливост додека го користите. Упатствата опишуваат безбедносни мерки на претпазливост кои треба да ги почитувате додека работи уредот. Наменети се да помогнат да спречите повреди и да избегнете оштетување на уредот.

### Пред да го користите вашиот нов интелигентен прочистувач на воздух Clean Air Optima CA-509Pro Smart.

Прво отстранете ја пломбата за филтрите, видете на страница 5. Како се користи.

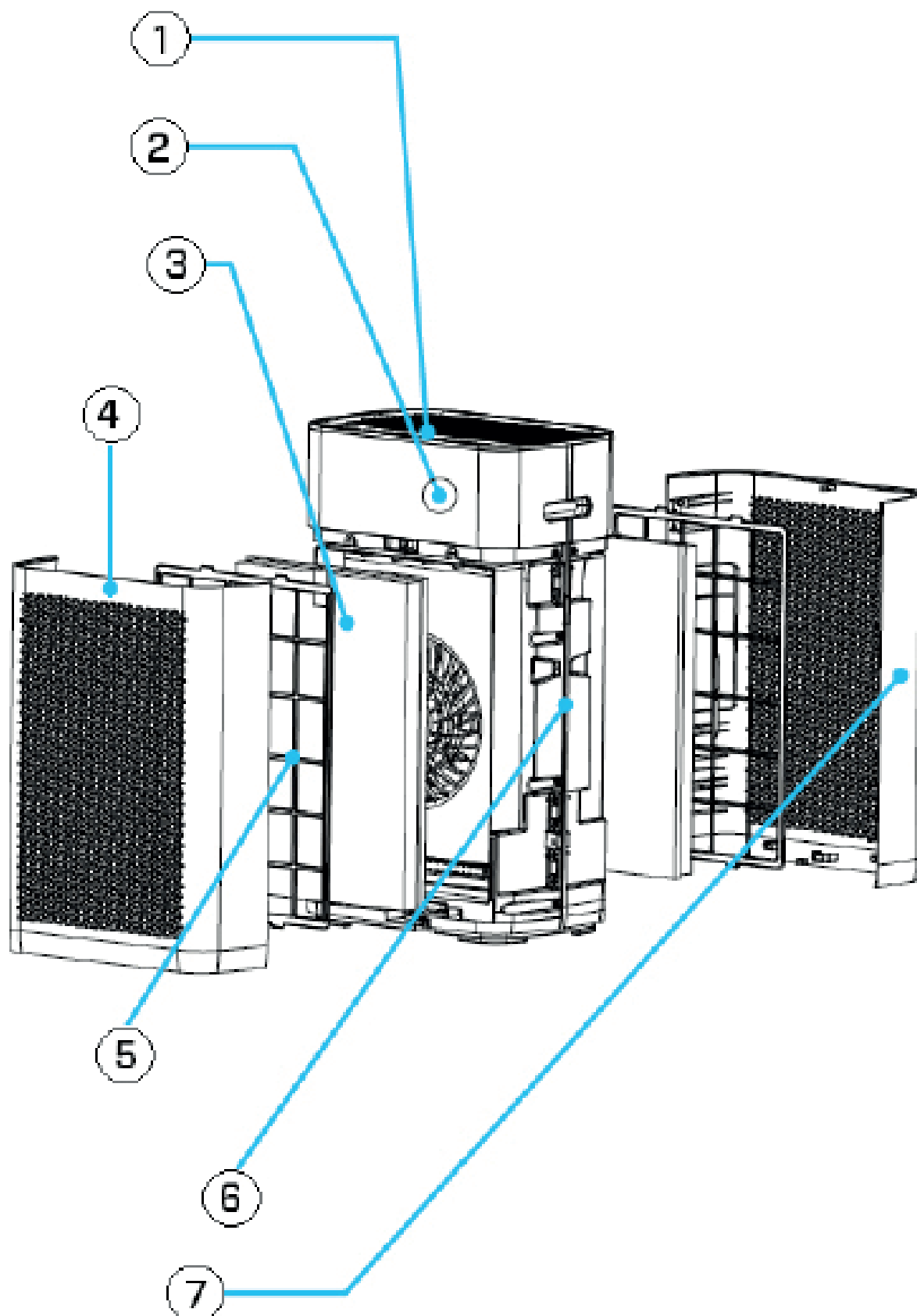


### Опис на уредот

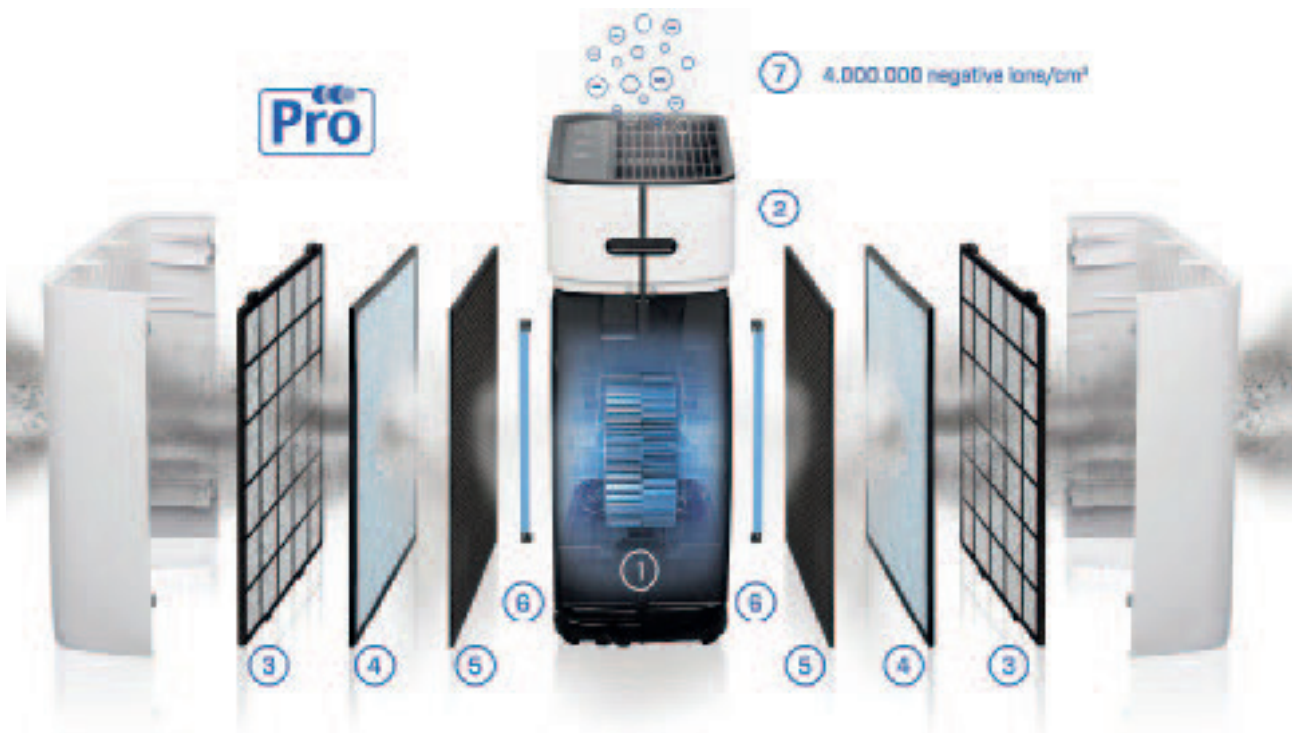
Уредот се состои од следниве главни компоненти:

1. Контролен панел
2. Дигитален монитор за квалитет на внатрешниот воздух
  - Мерење на честички PM2.5
  - Релативна влажност на воздухот во %
  - Температура во °C
3. Композитен филтер: TRUE HEPA филтер и филтер со активен јаглен
4. Преден панел
5. Пред-филтер
6. Главен дел од прочистувачот на воздух
7. Заден панел

## CA-509Pro Smart/ Главна единица



**Двоен систем на проток на воздухот - двоен систем на филтри - двоен јонизатор за двојно прочистување на воздухот!**



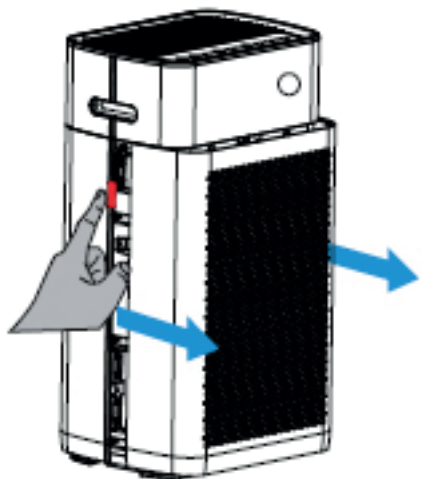
1. Двоен вентилатор
2. Intelligent Particle Sensor™
3. Пред-филтер
4. Нано-сребрен True HEPA филтер
5. Филтер со активен јаглен
6. UV LED сијалички
7. Двоен јонизатор

## Безбедносни предупредувања

Уредот може да се користи само во согласност со овие упатства за безбедност. Следете ги следните чекори за да го намалите ризикот од повреда предизвикана, на пример, од електричен удар или пожар.

1. Само за затворен простор. Не користете или чувајте на отворено.
2. Уредот не е наменет за користење од страна на деца или лица со намалени физички, сензорни или ментални способности, освен ако се надгледувани од страна на лицето кое е одговорно за нивната безбедност.
3. Не користете го уредот кога има видливо оштетување на електричниот кабел или на самиот уред. Не поправајте го уредот сами ако се оштети. Никогаш не влечете го уредот за кабелот. Ако кабелот за напојување е оштетен, тогаш мора да го замени овластен сервисер за да спречите електричен удар или пожар.
4. Поправки може да врши само личен овластен сервис. Не обидувајте се сами да го поправите уредот за да спречите електричен шок или пожар.
5. Секогаш исклучувајте го кабелот од струја кога не се користи уредот.
6. Секогаш користете ги предвидените кабли.
7. Извлечете го приклучокот од струја кога не го користите уредот или кога ги чистите неговите внатрешни или надворешни делови.
8. За безбедно користење, ставете го уредот во стабилна, хоризонтална положба. Не поместувајте го додека го користите.
9. Не користете го уредот во простории каде што се чуваат запаливи течности или гасови, блиску до извори на топлина или во особено влажни простории, како што е бањата.
10. Никогаш не вметнувајте предмети во телото за да избегнете дефект.
11. Никогаш не покривајте ја решетката за влез и излез на воздух.
12. Никогаш не вадете ги или не заменувајте ги внатрешните делови на уредот.
13. Кога уредот работи, не допирајте ги влезните и излезните решетки за воздух и не ставајте ја рачката или некој предмет во отворот за воздух за да избегнете повреди или оштетувања на прочистувачот на воздухот.
14. За да се одржи влезната и излезната решетка за воздухот на прочистувачот за воздух, не ставајте предмети над или во близина на предниот капак на прочистувачот на воздух.
15. Не ставајте тешки предмети врз уредот.
16. Избегнувајте места со директна сончева светлина. Постои ризик дека ќе избледи бојата на уредот.
17. Никогаш не потопувајте го уредот во вода или други течности.
18. Не допирајте го кабелот за напојување со влажни раце.
19. Редовно чистете го пред-филтерот ако е наполнет со прашина, инаку ефектот на прочистување ќе биде слаб. Потрошувачката на енергија ќе се зголеми и може да предизвика дефект.
20. Нормалното работно опкружување на уредот е 0 °C до 40 °C.
21. Користете го, одржувајте го и чистете го уредот како што е опишано во овој прирачник.

## Како се користи (инсталација на филтерот на предната и задна страна)



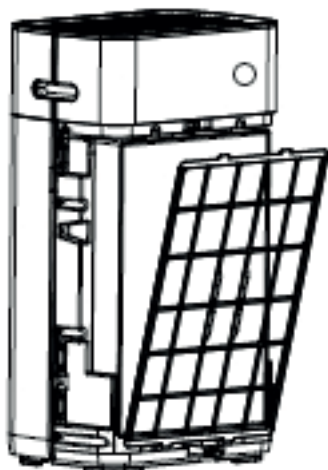
### 1. Расклопете го панелот

Притиснете со двата прста на црвениот индикатор на левата и десната страна на прочистувачот на воздух, видете ја сликата. Повлечете го панелот кон вас како што е назначено со сини стрелки.



### 2. Инсталирајте го композитниот филтер

Извадете ја пломбата од филтрите. Поставете ги филтрите назад во уредот. Чепот на долниот дел и горниот дел мора да бидат видливи на предната страна (видлива е HEPA страната на филтерот).



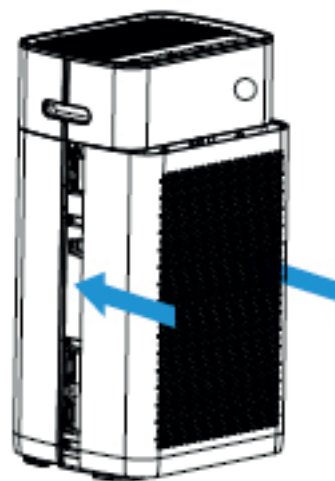
### 3. Инсталирајте го пред-филтерот

Инсталирајте го пред-филтерот со црното испакнување кон надвор. Ставете го долниот дел во жлебот на дното и притиснете го горниот дел (со стрелките) нежно во горниот жлеб.



### 4. Инсталирајте го панелот

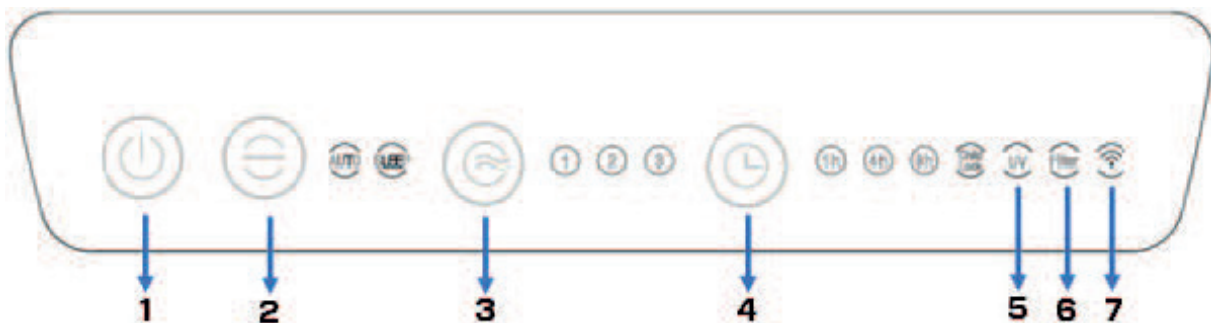
Притиснете го предниот панел паралелно долж горните и долните рабови во насоката прикажана со стрелка во сино, видете ја сликата. Кога ќе слушнете клик, значи дека панелот е инсталиран.



Уредот треба да биде поставен на растојание од најмалку 30 см од ѕидовите и мебелот, со цел да се добие добар проток на воздух. Осигурете се дека излезите и влезите за воздухот не се блокирани.

# Clean Air

Контролен панел/упатства за користење



## 1 Копче за напојување

Со притискање на копчето за напојување, се вклучува и исклучува уредот. (Стандардно е поставен во автоматски режим по вклучувањето на уредот).

## 2 Режим

Притискање на копчето за режим за автоматска работа и функцијата за спиење. Со поставката **Auto** (автоматски) вградениот интелигентен сензор (Intelligent Particle Sensor™) автоматски го мери и го регулира квалитетот на воздухот. Вентилаторот, контролиран од сензор, автоматски предвидува до кој степен внатрешниот воздух е загаден со честички со големина PM2.5 и соодветно се прилагодува на 3 различни брзини. Индикаторската сијаличка за поставката **Sleep** (спиење) е светла. Индикаторската сијаличка, вклучувајќи го дигиталниот дисплеј, ќе се исклучат по 5 секунди. Притиснете кое било копче за да ја рестартирате индикаторската сијаличка и дигиталниот дисплеј. Индикаторската сијаличка и дигиталниот монитор повторно ќе се изгаснат по 5 секунди. (Вентилаторот работи со најмала брзина.)

## 3 Брзина

Со притискање на копчето за брзина, можете да го промените нивото на брзина. Овозможен поединечен проток на воздух со помош на 3 брзини на вентилаторот. (1-2-3 значи дека брзината на вентилаторот се зголемува.)

## 4 Тајмер

Притиснете го копчето „Timer“ (тајмер) за да поставите тајмерот автоматски да го исклучи уредот по 1, 4 и 8 часа. Бројот на избрани часови можете да го прочитате на приказот за тајмерот.

## 5 UV LED светилка

UV LED сијаличките треба да се заменуваат на секои 8.000 часа работа или кога ќе се исклучи индикаторот (UV) на дисплејот.

## 6 Филтер

Ако индикаторската сијаличка трепка, тоа значи дека мора да го замените композитниот филтер (HEPA филтерот и филтерот со активиран јаглерод). Композитниот филтер има животен век од 2.000 часа.

## 7 Wi-Fi

Индикатор за Wi-Fi.

## 2 + 3 детска брава

Детската брава го штити уредот од несакана употреба.

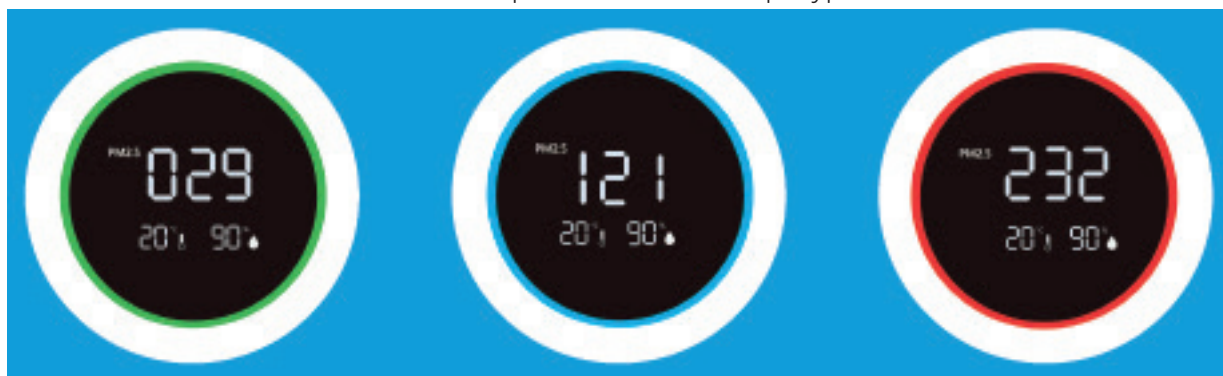
Детската брава се вклучува/исклучува со истовремено притискање на копчињата „Mode“ и „Speed“. Тогаш, засветува индикаторската сијаличка за детската брава.

## 3 + 4 ресетирање на филтерот

Тајмерот за композитниот филтер се ресетира со притискање и држење на копчињата „Speed“ и „Timer“ (околу 3 секунди). Ако индикаторската сијаличка се изгасне, значи дека тајмерот е успешно ресетиран.

## Дигитален монитор

Дигиталниот монитор на предната страна на прочистувачот на воздух CA-509Pro Smart автоматски и точно го покажува моменталниот квалитет на воздухот со мерење на нивото на честички PM2.5, влажноста во внатрешноста и температурата.



**Зелено** - добро:  
0-80  $\mu\text{g}/\text{m}^3$

**Сино** - просечно:  
80-150  $\mu\text{g}/\text{m}^3$

**Црвено** - лошо:  
150  $\mu\text{g}/\text{m}^3$  или повеќе

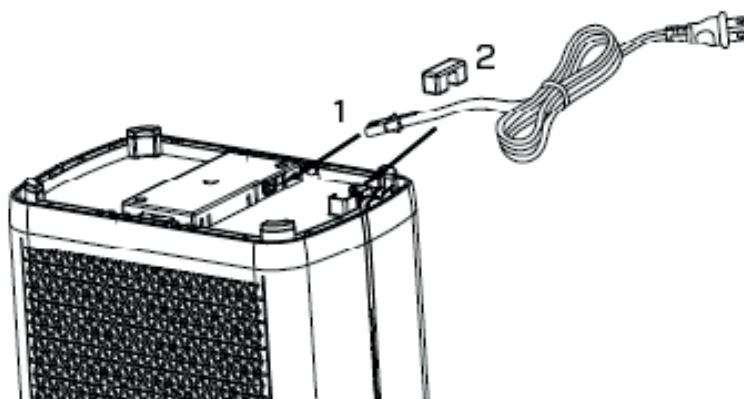
Честичките од 10  $\mu\text{m}$  (PM10) и помали и од 2,5  $\mu\text{m}$  (PM2.5), можат да влезат во белите дробови и спаѓаат во 10-те најголеми закани по здравјето на луѓето. Овие мали честички се развиваат преку типични процеси што се одвиваат во затворен простор, како што се готвење, печење, пржење, пушење, но и греење, или навлегуваат во големи количини во вашите простории предизвикано од сообраќајот, индустријата, градежништвото, биолошки материјали (полен, бактерии, микроскопски бубачки и вируси), увезени честички од други региони, како што се издувни (авионски) гасови и ерупции на вулкани.

Алергените, како што се поленот и прашина, предизвикуваат сериозни и долгорочни здравствени закани за милиони луѓе секоја пролет: бројките постојано се зголемуваат.

Мерење релативна влажност и температура

Важни аспекти за ефикасно прочистување на воздухот: релативна влажност помеѓу 45-60% и собна температура од околу 20-23 °C

## Кабел за напојување



1. Отстранете го кабелот за напојување со струја од дното на уредот и вметнете го во штекерот на дното на уредот (како што е прикажано на слика 1).
2. Ставете го кабелот во отворот за жица и фиксирајте го со лепило за притискање на жица (како што е прикажано на слика 2).

## Работа со апликацијата Clean Air Optima<sup>®</sup>



### Поврзување

**Компатибилност со паметен телефон и таблет:**  
iPhone, iPad и Android уреди

**Уредот се поврзува преку Wi-Fi со апликација:**  
CleanAirOptima

**Внимание:** Рутерот мора да биде поставен на широкопојасен интернет од 2,4 GHz. Ако рутерот е поставен на 5,0 GHz, невозможно е да се воспостави врска.

### Поставете Wi-Fi врска

1. Преземете ја и инсталирајте ја апликацијата „CleanAirOptima“ во App Store или Google Play Store.
2. Создајте сметка и најавете се.
3. Приклучете го апаратот во штекер и вклучете го. Индикаторот за Wi-Fi ќе трепка.
4. Рутерот мора да биде поставен на широкопојасен интернет од 2,4 GHz. Ако рутерот е поставен на 5,0 GHz, не може да се воспостави врска.
5. Проверете дали е вклучен Bluetooth на вашиот паметен телефон.
4. Проверете дали вашиот паметен телефон или таблет е успешно поврзан со вашата Wi-Fi мрежа.
5. Отворете ја апликацијата „CleanAirOptima“ и кликнете на „Add device“ (Додај уред) . Вашиот уред е наведен и може да го изберете. Ако не е, изберете „Auto Scan“ (Автоматско скенирање). Следете ги инструкциите на екранот за да го поврзете уредот со вашата мрежа.
6. Додајте го уредот Clean Air Optima<sup>®</sup> во апликацијата и следете ги упатствата во апликацијата.
7. Кога уредот е спарен, индикаторот за Wi-Fi  останува вклучен постојано.
8. Откако конфигурацијата ќе биде успешна, може да ја користите апликацијата Clean Air Optima<sup>®</sup> за да управувате со уредот.

### Забелешка:

- Ако ја промените стандардната мрежа, ресетирајте ја Wi-Fi врската, следете го чекорот 3 до 8 во делот „Set up WiFi connection“ (Постави Wi-Fi врска).
- Ако сакате да спарите повеќе уреди со вашиот паметен телефон или таблет, мора да го направите ова едно по друго.
- Осигурајте се дека растојанието помеѓу вашиот паметен телефон или таблет и уредот е помало од 5 метри и дека нема пречки. Исто така, погрижете се да бидете во иста просторија со уредот.

### Ресетирајте ја функцијата Wi-Fi:

- Ресетирајте ја Wi-Fi врската со притискање на копчето „Mode“ и „тајмер“ 3 секунди и индикаторската сијаличка за Wi-Fi ќе трепка брзо.



## Поврзете уреди на повеќе телефони

Забелешка: Прво другото лице треба да ја инсталира апликацијата Clean Air Optima® на својот телефон и да создаде нова сметка.

### Споделувајте го уредот со ограничен пристап:

Можете да изберете да споделите 1 уред со неколку лица.

Лицево потоа ќе има пристап, но нема да може да управува со сите поставки.

Следете ги упатствата долу за да го споделите уредот со неколку лица:

1. Одете на релевантниот уред.
2. Одете на иконата за молив или три точки горе десно.
3. Изберете „Share device“ (Сподели уред).
4. Изберете „Add sharing“ (Додај споделување).
5. Изберете го начинот на споделување, на пример, преку е-пошта, WhatsApp, SMS итн. и продолжете.
6. Уредот автоматски ќе се појави во апликацијата Clean Air Optima® со друга сметка.

### Споделувајте го уредот со целосен пристап:

Можете да додадете едно или повеќе лица во управувањето со домот.

Тоа лице потоа ќе има пристап до сите ваши уреди што се веќе поврзани и ќе има целосни права и дозволи. Вие секогаш ќе бидете главниот администратор.

Следете ги упатствата долу за да додадете некој во управувањето со домот:

1. Отворете ја апликацијата Clean Air Optima® и одете на „Me“ (Мене).
  2. Потоа изберете „Home Management“ (Управување со домот).
  3. Изберете „Create a home“ (Создај дом).
  4. Изберете го релевантниот „Home“ (Дом) и потоа изберете „Add member“ (Додај член).
  5. Изберете го начинот на споделување, на пример, преку е-пошта, WhatsApp, SMS итн. и продолжете.
  6. Соодветниот дом автоматски ќе се прикаже во апликацијата Clean Air Optima® на лицето со кое сте го споделиле вашиот дом.
5. На другата сметка:  
Одете на почетниот екран од апликацијата Clean Air Optima®. Одете горе лево и изберете „Home“ (Дом).

## Далечински управувач

### ВКЛУЧУВАЊЕ/ИСКЛУЧУВАЊЕ

Со притискање на копчето за напојување, се вклучува и исклучува уредот. (Стандардно е поставен во автоматски режим по вклучувањето на уредот).

### Брзина

Со притискање на копчето за брзина, можете да го промените нивото на брзина. Овозможен поединечен проток на воздух со помош на 3 брзини на вентилаторот.

### Тајмер

Притиснете го копчето „Timer“ (тајмер) за да поставите тајмерот автоматски да го исклучи уредот по 1, 4 и 8 часа.

### Детска брава

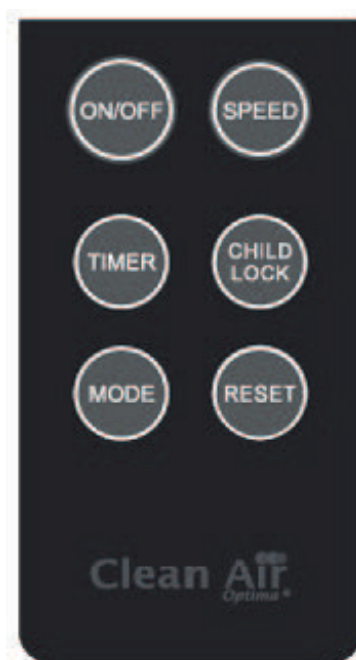
Детската брава се вклучува/исклучува со притиснување на копчето за детска брава „Child lock“ околу 3 секунди.

### Режим

Притиснете го копчето за режим „Mode“ за да менувате помеѓу функциите за режим и за спиење.

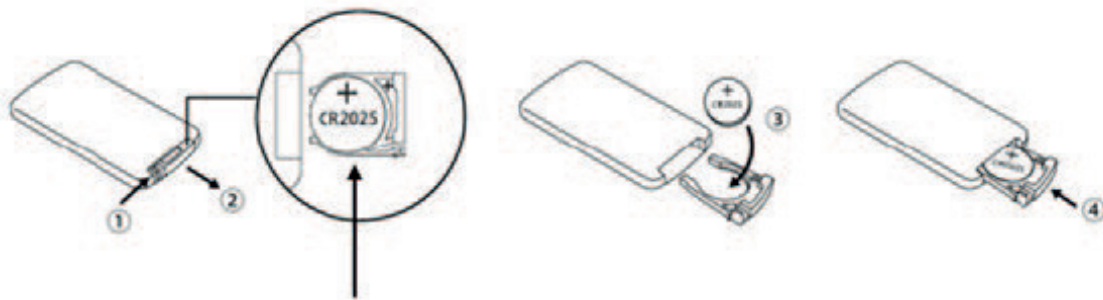
### Ресетирање

Ресетирајте го тајмерот за композитниот филтер со притискање и држење на копчето „Reset“ околу 3 секунди.



### Замена на батеријата

1. Отворете го држачот на батеријата на задната страна на далечинското со притискање на јазичето за заклучување (чекор 1) кон десно со палецот, а потоа извлечете го држачот за батерија (чекор 2).
2. Отстранете ја старата батерија и вметнете нова батерија (тип CR2025.3V) со точен поларитет (чекор 3).
3. Вметнете нова батерија (тип CR2025.3V).
4. Притиснете го назад држачот за батеријата во далечинскиот управувач (чекор 4).



батерија (тип CR2025)

### Мерки на претпазливост

1. Доколку не го користите далечинскиот управувач подолго време, извадете ја батеријата за да спречите нејзино истекување и оштетување на далечинскиот управувач.
2. Користете го далечинскиот управувач само за потребите на прочистувачот на воздухот
3. Ако далечинскиот управувач не работи правилно, отстранете ја батеријата и ставете ја назад по 30 секунди. Ако сè уште не работи правилно, заменете ја батеријата.

## Одржување

### Чистење на надворешноста на прочистувачот на воздух

1. Исклучете го уредот и извлечете го приклучокот од струја.
2. Користете меко и влажно парче ткаенина за чистење на уредот од прашина и нечистотија.
3. Осигурете се дека **нема да влезе вода** во уредот.

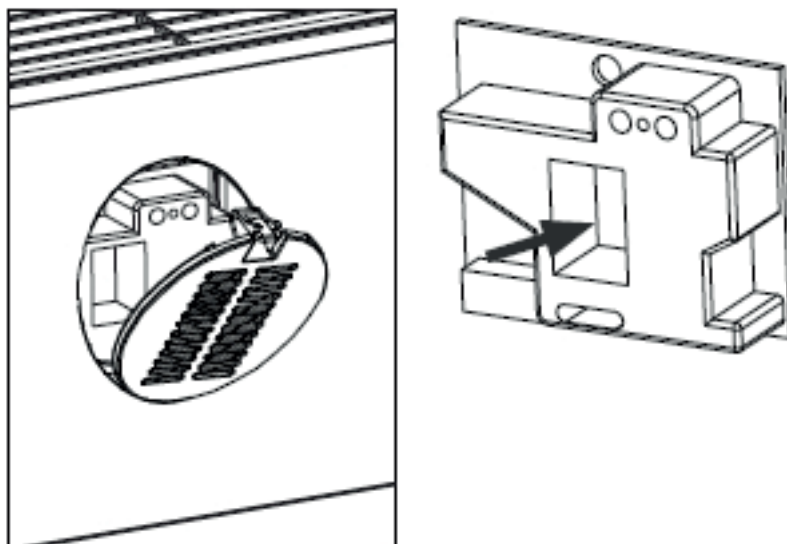
### Чистење на Intelligent Particle Sensor™

#### Чистете го сензорот за квалитет на воздухот секои 6 до 8 недели.

Кога вредноста на PM2.5 не се прикажува правилно, може да употребите чепкалка за уши за да го исчистите сензорот.

1. Отстранете го капакот на сензорот.
2. Исклучете ја леќата на сензорот со чепкалка за уши и вода како што е наведено со стрелката. Потоа, исушете ја леќата со чист памук.
3. Вратете го капакот на сензорот.
4. Не ги бришете ја леќата на сензорот со алкохол или друг органски растворувач.

**Внимание!** Ако влажноста во просторијата е многу висока, постои ризик од кондензација на сензорот за квалитет на воздухот. Ова може да предизвика индикаторот за квалитет на воздухот (дигитален дисплеј - мерење честички) да покаже дека квалитетот на воздухот е слаб, иако тоа не е случајот. Во таков случај, препорачуваме да го исчистите сензорот за квалитет на воздухот или да не го користите прочистувачот на воздух во автоматскиот режим.



## Замена на филтри

Интелигентниот прочистувач на воздух Clean Air Optima CA-509Pro Smart е опремен со механизам за следење на животниот век на филтерот, кој сигнализира дека филтрите треба да се заменат по 2.000 работни часови. За да се покаже дека композитните филтри (HEPA + филтерот со активиран јаглен) треба да се заменат, прочистувачот на воздухот ја активира индикаторската сијаличка со трепкање. Тајмерот за композитниот филтер се ресетира со притискање и држење на копчињата „Speed“ и „Timer“ (околу 3 секунди). Ако индикаторската сијаличка се изгасне, значи дека тајмерот е успешно ресетиран.

**Во зависност од употребата, композитните филтри (HEPA + филтер со активен јаглен) имаат животен век од приближно 6-8 месеци.**

### Чистење филтер

Најдобриот ефект се постигнува ако ги чистите филтрите еднаш месечно. Ако внатрешниот воздух е исклучително загаден, може да е потребно поголемо чистење.



Исчистете го **пред-филтерот** и **HEPA филтерот** со четка или со правосмукалка. На тој начин можете да ги отстраните од филтерот поголемите честички прав, како влакненцата од ткаенини, косата и првотот од миленичиња.

**Предупредување!** Немојте да ги мокрите или плакнете композитните филтри (HEPA + филтерот со активен јаглен) со вода.

### Знаци за искористени филтри

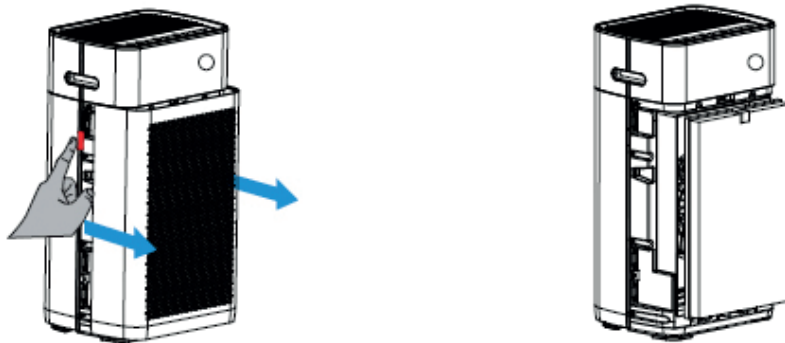
Зголемен звук, намален проток на воздух, затнати филтри, зголемено присуство на мириси. Филтерот треба да се замени со нов кога HEPA филтерот ќе ја смени бојата од бела во сива или црна. Ако HEPA-филтерот е бел, HEPA потреба од замена.

### Како да нарачате филтри:

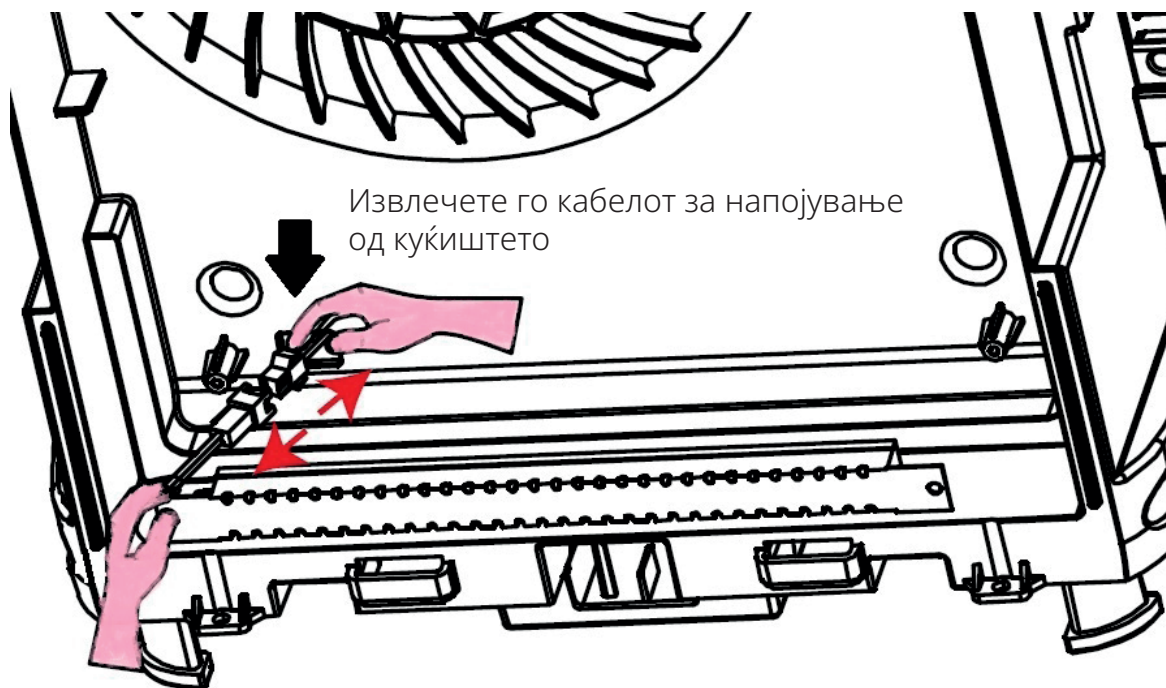
Контактирајте ја службата за корисници на Clean Air Optima, тел. + 31 (0) 742670145 или посетете ја нашата интернет-продавница:  
<https://www.cleanairoptima.com>

## Замена на UV LED сијалички (на предната и задната страна на единицата)

Двете UV LED сијалички на прочистувачот на воздух Clean Air Optima CA-509Pro Smart имаат работен век од 8.000 работни часа = 1 година 24/7 работа. UV сијаличките треба да се заменуваат на секои 8.000 часа работа или кога ќе се исклучи индикаторот (UV) на дисплејот.



1. Исклучете го уредот и извлекете го приклучокот од штекер.
2. Притиснете ги копчињата за отпуштање со двата прста и отстранете ги предните и задните капаци.
3. Отстранете ги филтрите (напред и назад).



4. Употребете крстач и отстранете ги завртките од металниот штитник на двете UV LED сијалички (напред и позади).
5. Влечете го кабелот за напојување од куќиштето кон вас додека не ги видите приклучоците. Отклучете ги приклучоците според сликата.
6. Можете да ги ставите новите UV LED сијалички. Откако ќе ги поставите UV LED сијаличките, индикаторот (UV) ќе светне повторно.

### Нарачување UV LED сијалички:

Стапете во контакт со корисничката служба на Clean Air Optima на + 31 (0) 742670145 или посетете ја нашата интернет-продавница: <https://www.cleanairoptima.com>

## Справување со проблеми

Следува упатство со чија помош ќе ги решите проблемите околу работата на интелигентниот прочистувач на воздух **Clean Air Optima CA-509Pro Smart**.

Проблем	Можна причина	Решение
Уредот не се вклучува	Кабелот за напојување не се поврзува правилно Кабелот за напојување е искинат Предниот или задниот панел не се правилно поставени	Правилно ставете го приклучокот на кабелот во штекерот Заменете го кабелот за напојување Инсталирајте го панелот правилно. Видете го поглавјето: Како се користи
Излезот за воздух мириса лошо	Филтерот собира премногу мирис или прашина Работниот век на филтрите е поминат	Заменете ги композитните филтри Заменете ги композитните филтри
Слаб ефект на прочистување	Проверете дали влажноста во просторијата е премногу ниска Уредот е ставен во непроветрена просторија или опкружен е со препреки	Зголемете ја влажноста Отстранете ги препреките
Не излегува воздух од уредот	Влезот или излезот за воздухот се блокирани	Отстранете ги препреките
Далечинскиот управувач не работи	Проверете дали батеријата е инсталирана Проверете дали батеријата е правилно ставена Проверете го капацитетот на батеријата Проверете дали далечинскиот управувач работи од далеку	Инсталирајте ја батеријата Инсталирајте ја батеријата правилно Заменете ја батеријата Опсегот на работа на далечинскиот управувач е во максимум 5 метри од предната страна на уредот
Работата со апликацијата <b>Clean Air Optima<sup>®</sup> App</b> не функционира	Паметниот телефон или таблетот не е поврзан со Wi-Fi мрежа Уредот не е поврзан со мрежата	Ресетирајте го апаратот со притискање и држење на копчињата <b>STAND</b> и <b>TIMER</b> заедно три секунди. Индикаторот за Wi-Fi ќе трепка. Потоа следете ги чекорите од 4 до 8 од поглавјето „ <b>Работа со апликацијата Clean Air Optima<sup>®</sup></b> “.

## ПРЕДУПРЕДУВАЊЕ!

Доколку горепрепорачаните решенија не функционираат, контактирајте ја техничката служба за поддршка на Clean Air Optima на телефонскиот број за вашиот регион. Не обидувајте се да го расклопите, поправите или склопите уредот, затоа што така ќе престане да важи гаранцијата.

## Спецификации

Модел	CA-509Pro Smart
Погоден за простории до	90 m <sup>2</sup> / 225 m <sup>3</sup> / 970 ft <sup>2</sup>
Номинален напон	220 V - 240 V, 50 Hz/60 Hz
Номинална моќност	Макс. 53 W
Капацитет на вентилаторот (CADR)	400 m <sup>3</sup> /час (цврсти честички) - 100 m <sup>3</sup> /час (формалдехид)
Перформанси на филтерот	99,97%
Стапка на стерилизација	99,9%
Негативни јони	2.000.000 јони/cm <sup>2</sup>
Ниво на звук	Тивок вентилатор < 20 dB(A), ниско 1/35 dB(A) средно 2/55 dB(A) турбо 3
Димензии	560 x 320 x 210 mm
Тежина	7,5 kg
Боја	Бела
Во согласност со прописите на ЕУ	CE / WEEE / RoHS

Прашајте го продавачот или општината за најнови информации во врска со исфрлањето на амбалажата и на уредот во отпад.



## Сервис

### Гарантен сертификат за интелигентниот прочистувач на воздух Clean Air Optima CA-509Pro Smart.

Датум на купување: .....  
Име на купувач: .....  
Адреса: .....  
Телефон: .....  
Е-пошта: .....  
Име на продавачот: .....  
Адреса: .....

1. Пополнете го целосно овој гарантен сертификат. Испратете го до вашиот дистрибутер заедно со фактурата и уредот, платена поштарина и во оригиналната кутија за пакување. Гледајте да ја вклучите цената за поштарина на пакетот.
2. Приложете краток опис на штетата, грешката или дефектот и околностите под кои се појавила проблемите.

Интелигентниот прочистувач на воздух **Clean Air Optima CA-509Pro Smart** се подложува на строги постапки за тестирање пред да замине од фабриката. Ако во рок од 2 години од денот на купувањето производот не работи според спецификациите поради фабрички дефекти, купувачот има право на бесплатни поправки или замена на делови откако ќе ја приложи оваа гаранција (доколку дефектот или оштетувањето на уредот и/или деловите се случило при нормални услови на работа). Што е опфатено: Сите дефекти во поглед на материјалот и изработката. Колку долго: две години од датумот на купување. Што ќе сториме: Поправка или замена на дефектните делови. Исклучоци: Замена на редовни филтри.

### Други услови

Одредбите од оваа гаранција ги заменуваат кои било други писмени гаранции, без разлика дали тие се изразени или имплицирани, писмени или усни, вклучувајќи и каква било гаранција за продажниот карактер или соодветноста за одредена намена. Максималната одговорност на производителот не треба да ја надминува вистинската куповна цена што купувачот ја платил за производот. Во никој случај производителот не одговара за посебни, случајни, последователни или индиректни штети. Оваа гаранција не покрива дефекти што произлегуваат од несоодветна или неразумна употреба или одржување, погрешно склопување, несреќа, природни катастрофи, несоодветно пакување или неовластено мешање, менување или модификација на деловите, онака како што е определено само од нас. Оваа гаранција е неважечка ако етикетата со сериски број е отстранета или оштетена.

# Ви благодариме за читањето!



Споделете ги вашите повратни мислења за интелигентниот прочистувач на воздух Clean Air Optima CA-509Pro Smart на: [www.cleanairoptima.com](http://www.cleanairoptima.com)



За најчесто поставуваните прашања за CA-509Pro Smart одете на: [www.cleanairoptima.com](http://www.cleanairoptima.com) и побарајте го моделот CA-509Pro Smart.



Преземете го прирачникот со упатствата за употреба во PDF на: [www.cleanairoptima.com/info/manuals](http://www.cleanairoptima.com/info/manuals)



Погледнете го целото анимирано видео за Clean Air Optima на: [www.youtube.com](http://www.youtube.com)

Clean Air Optima International B.V. | Rientjesoven 26 | 7621 HG Borne  
Холандија | Телефон: +31 (0) 74 - 2670145

Clean Air Optima Germany GmbH | Enschedestraße 14 | 48529 Nordhorn  
Германија | Телефон: +49 (0) 5921 879-121

Е-пошта: [info@cleanairoptima.com](mailto:info@cleanairoptima.com)

Веб-страница: [www.cleanairoptima.com](http://www.cleanairoptima.com)

# A guarantee for healthy indoor air quality!



Designed in Germany

© 2026 Clean Air Optima®, All rights reserved, Made in P.R.C.

More info:  
[www.cleanairoptima.com](http://www.cleanairoptima.com)



Trademarks owned by: Clean Air Optima Germany GmbH,  
Enschedestraße 14, 48529 Nordhorn, Germany